

# OWNER'S MANUAL



## CMR-20 Marine Wired Remote with LCD Display

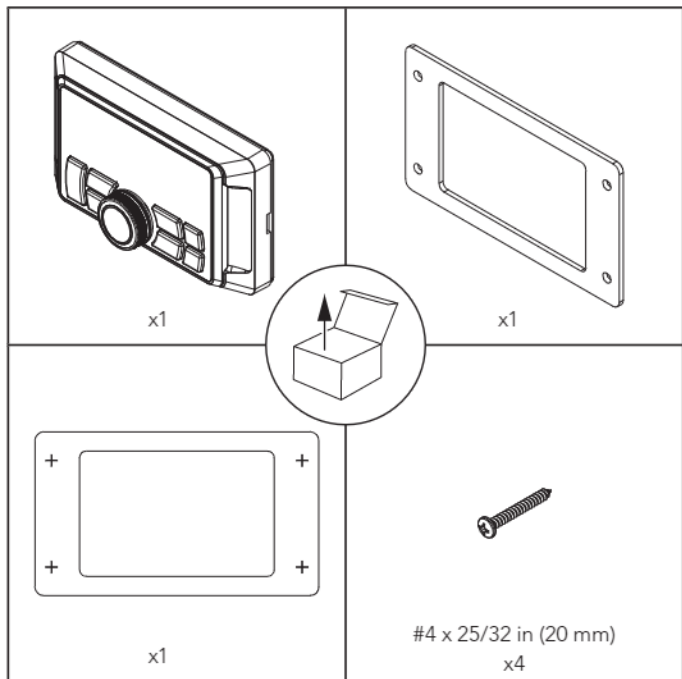
Mando a distancia marino con cable  
Télécommande filaire marine  
Marine Kabelfernbedienung  
Telecomando cablato marino

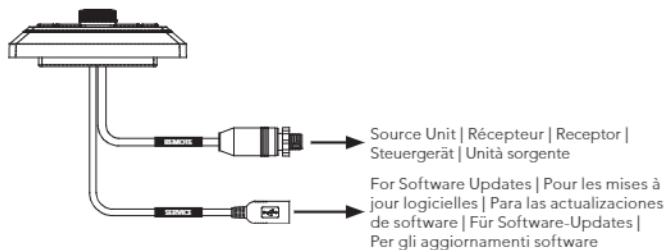
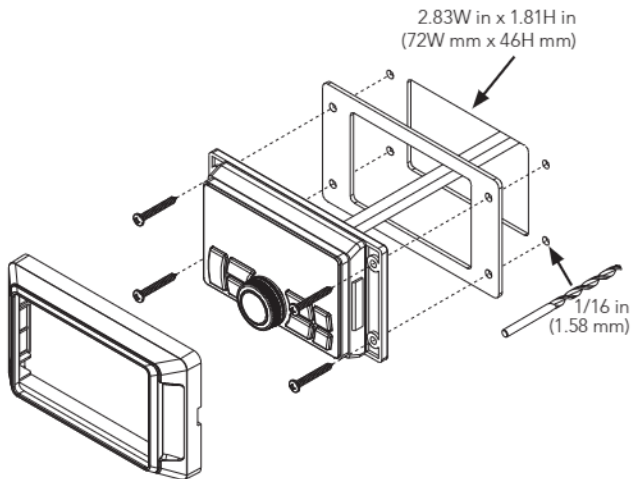


CMR20-MAN 032522  
©2022 Clarion Marine Audio











# CMR-20





## GENERAL CONTROLS

	<ul style="list-style-type: none"><li>• Rotate to adjust volume</li><li>• Rotate/press for navigation and making selections</li></ul>
 SOURCE	<ul style="list-style-type: none"><li>• Short press to turn ON; Long press to turn OFF</li><li>• Short press to advance through available sources</li></ul>
 SETTINGS	<ul style="list-style-type: none"><li>• Short press to access audio settings</li><li>• Long press to access system settings</li></ul>
 BACK/MENU	<ul style="list-style-type: none"><li>• Short press to go back one step or access menus</li><li>• Long press to advance through menus</li></ul>
 FAVORITES	<ul style="list-style-type: none"><li>• Short press to access stored presets</li><li>• Long press to store a frequency as a preset</li></ul>
	<ul style="list-style-type: none"><li>• Short press to mute/unmute (tuner/AUX)</li><li>• Short press to pause/resume (USB/Bluetooth)</li></ul>
	Short press to: <ul style="list-style-type: none"><li>• Manually adjust tuner forwards</li><li>• Select the next track (USB/Bluetooth)</li></ul> Long press to: <ul style="list-style-type: none"><li>• Seek to the next tuner channel</li><li>• Fast-forward (USB/Bluetooth)</li></ul>
	Short press to: <ul style="list-style-type: none"><li>• Manually adjust tuner backwards</li><li>• Restart track/select the previous track (USB/Bluetooth)</li></ul> Long press to: <ul style="list-style-type: none"><li>• Seek to the previous tuner channel</li><li>• Fast-rewind (USB/Bluetooth)</li></ul>
Note: Control functionality will vary by the connected host source unit.	

## **INSTALLATION CONSIDERATIONS**

- Installation requires appropriate tools and safety equipment. Professional installation is recommended.
- This product is water-resistant. Do not submerge or subject to high-pressure water spray.
- Do not mount in areas of extreme heat.
- Mount this product securely to prevent damage or injury in severe conditions.
- Before cutting or drilling, check for potential obstacles behind mounting surfaces.
- Carefully route all system wiring away moving parts and sharp edges.
- Secure all wiring and use grommets and loom where appropriate to protect from sharp edges.

## **IP67 WATER RESISTANCE RATING**

This product has been tested to withstand immersion in water, up to 1 meter (3.28 ft.) deep, for up to 30 minutes (when properly installed). While designed to be water resistant, this product should never be submerged under water for prolonged periods or subjected to activity that creates pressure on it that exceeds its depth rating.

## **CONNECTION CAPACITY**

Connect up to three wired remotes to a single source unit, at up to 75 ft (23m) away (cumulative cable length). Each wired remote connects directly using accessory controller cables and 2-way splitters (sold separately). Refer to the connected host source unit's user manual for specific control functionality.



**WARRANTY INFORMATION**  
MARINE/POWERSPORTS AUDIO

# USA Limited Warranty

## **FOR MARINE AND POWERSPORTS AUDIO SOLD AT RETAIL:**

Clarion Marine warrants this product to be free of defects in materials and workmanship for a period of one (1) year from the original date of purchase.

This warranty is not transferable and applies only to the original retail purchaser from an authorized Clarion Marine dealer in the USA. Should service be necessary under this warranty for any reason due to manufacturing defect or malfunction, Clarion Marine will (at its discretion), repair or replace the defective product with new or remanufactured product at no charge.

**Note: Products purchased from unauthorized dealers are not covered under warranty.**

Damage caused by the following is not covered under warranty: accident, misuse, physical abuse, product modification or neglect, failure to follow installation instructions, unauthorized repair attempts, misrepresentations by the seller. Loudspeakers with thermal or over-excursion damage are not covered under warranty. This warranty does not cover incidental, accidental or consequential damages and does not cover the cost of removing or reinstalling products. Cosmetic damage due to improper handling, accident or normal wear and tear or exposure to harsh chemicals is not covered under warranty. JL Audio will not be responsible for restoring or maintaining custom finishes or cosmetic treatments applied to products.

**This warranty is void if the product's serial number has been removed, altered or defaced.**

Any applicable implied warranties are limited in duration to the period of the express warranty as provided herein beginning with the date of the original purchase at retail, and no warranties, whether express or implied, shall apply to this product thereafter. Some states do not allow limitations on implied warranties, therefore these exclusions may not apply to you. This warranty gives you specific legal rights, and you may also have other rights which vary from state to state.

### **If you need service on your Clarion Marine product:**

All USA retail warranty returns should be sent to Clarion Marine freight prepaid through an authorized Clarion Marine dealer and must be accompanied by proof of purchase (a copy of the original retail sales receipt.) Direct returns from consumers or non-authorized dealers will be refused unless specifically authorized by Clarion Marine with a valid return authorization number. Warranty expiration on products returned without proof of purchase will be determined from the manufacturing date code. Coverage may be invalidated as this date is prior to purchase date. Return only defective components. (If one speaker fails in a system, return only that speaker component, not the entire system.) Non-defective items received will be returned freight-collect. Customer is responsible for shipping charges and insurance in sending the product to Clarion Marine. Freight damage on returns is not covered under warranty.

**Clarion Marine Customer Service:**  
1-954-443-1101  
9:00 AM – 5:00 PM (Eastern Time Zone)

**Clarion Marine Technical Support:**  
[www.clarionmarine.com/support](http://www.clarionmarine.com/support)

## Original Equipment Warranty

For Clarion Marine products installed as original equipment by a boat or vehicle manufacturer, warranty coverage is provided within the boat or vehicle manufacturer's warranty program. Please contact your boat dealer or manufacturer.

## International Warranty

Warranty on products purchased outside the USA, European Economic Area (EEA) Member States and the Russian Federation is only valid within the country of purchase and products are covered by each country's Clarion Marine Distributor warranty program, and not directly by Clarion Marine. Please contact your local Clarion Marine retailer or distributor for warranty service.

**Consumers in the EEA countries and the Russian Federation are protected by local consumer law and benefit from local statutory warranties.**

Clarion Marine reserves the right to change or modify any of the terms and conditions contained in this Warranty Statement, at any time and in our sole discretion. Any changes or modification will be effective immediately upon posting of the revisions on the Clarion Marine website at [www.clarionmarine.com/warranty](http://www.clarionmarine.com/warranty), and you waive any right you may have to receive specific notice of such changes or modifications.