



M6-100CT

1.00-inch (25 mm) Marine Component Tweeters

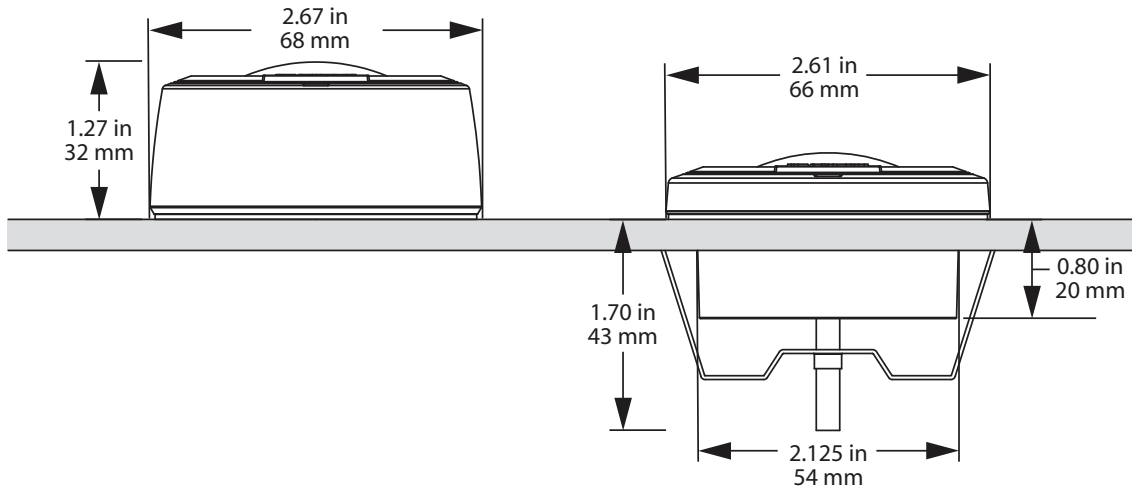
Haut-parleurs d'aigus composites marins 25 mm (1 po)
Tweeters de 1,00 in (25 mm) para componentes marinos
1,00-Zoll (25 mm) Hochtönlautsprecher Marinekomponente
Tweeter marini da 1 poll. (25 mm)







OWNER'S MANUAL

M6-100CT_092622

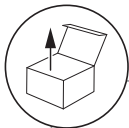
©2022 JL Audio, Inc.

M6-100CT


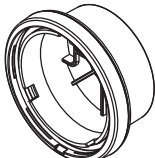
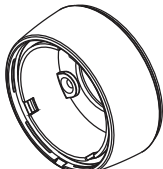


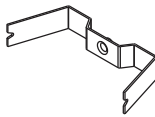



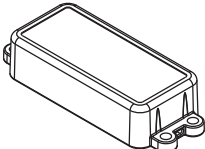


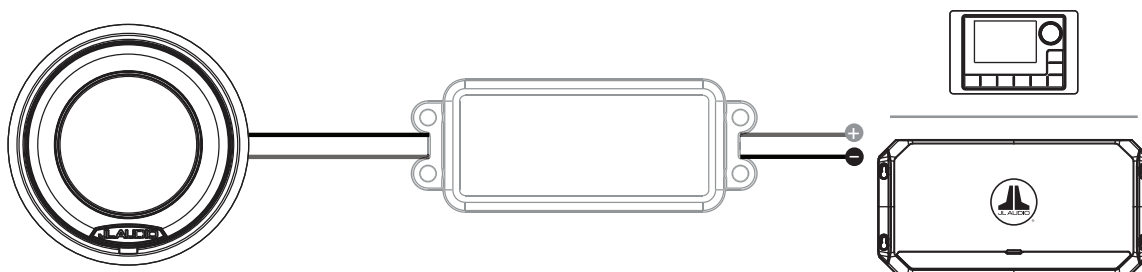
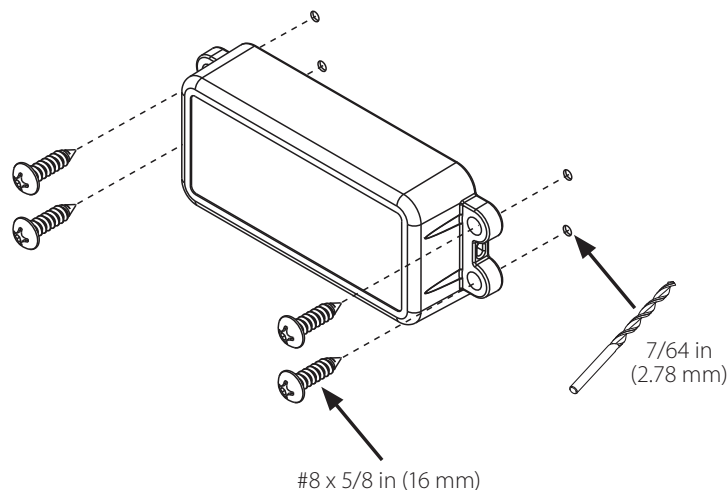
M6-100CT	
 TW	1.00 in / 25 mm
 RMS	75 W
 WATT	10 - 75 W
 SPL	91.0 dB @ 1W/1m
 FREQ	4.8 KHz - 25 KHz \pm 3 dB
 ZNOM	4 Ω

EN Product images shown are for illustrative purposes only and may differ from the actual product. Due to continuous product development, all specifications are subject to change without notice. **FR** Les images des produits sont fournies à titre d'illustration uniquement et peuvent différer du produit réel. En raison du développement continu de nos produits, toutes les caractéristiques sont susceptibles d'être modifiées sans préavis. **ES** Las imágenes del producto se muestran solo para fines ilustrativos y pueden diferir del producto real. Dado que el desarrollo de producto es continuo, todas las especificaciones están sujetas a cambios sin previo aviso. **DE** Die gezeigten Produktbilder dienen nur zur Veranschaulichung und können vom tatsächlichen Produkt abweichen. Durch die Weiterentwicklung der Produkte können alle technischen Daten ohne Ankündigung geändert werden. **IT** Le immagini del prodotto mostrate sono solo a scopo illustrativo e potrebbero differire dal prodotto effettivo. A causa dello sviluppo continuo del prodotto, tutte le specifiche potrebbero essere soggette a modifica senza preavviso.



M6-100CT

 x2	 x2	 x2	 x2	 x2
 x2	 #10-32 x 1.50 in (38 mm) x2	 #6 x 5/8 in (16 mm) x6	 #8 x 5/8 in (16 mm) x8	 x2



WARNING! These tweeters must be used with an appropriate high-pass crossover filter, like those supplied in this kit, or actively filtered: 24 dB/octave (Butterworth) at 3,200 Hz. Failure to use an appropriate filter will result in damage or failure of the product and will NOT be covered under warranty.

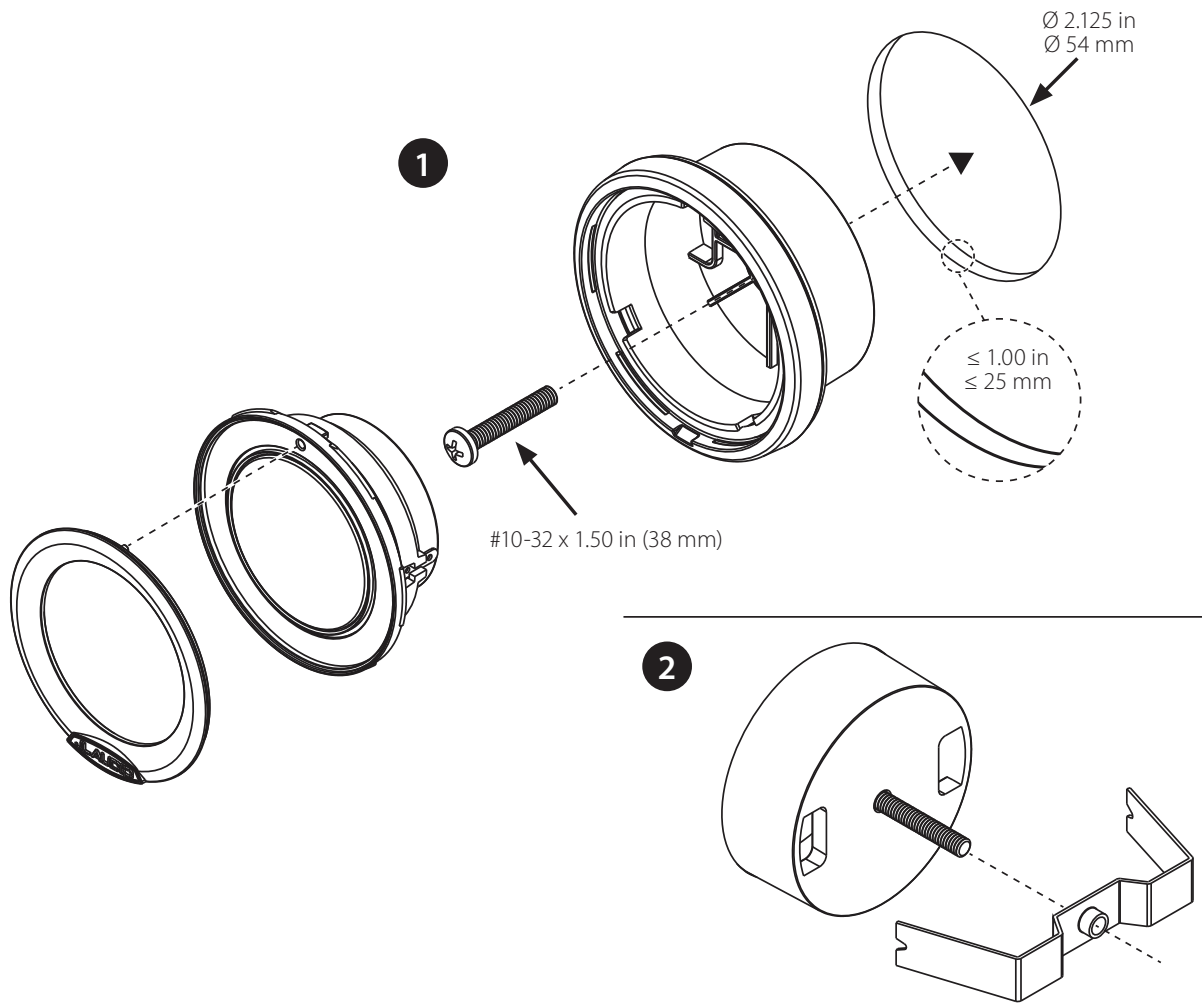
AVERTISSEMENT! Ces haut-parleurs doivent être utilisés avec un filtre passe-haut adéquat comme ceux fournis dans ce kit, ou un filtre actif doit être appliqué : 24 dB/octave (Butterworth) à 3 200 Hz. L'utilisation d'un filtre inapproprié risque d'endommager le produit ou de provoquer une panne, ce qui n'est PAS couvert par la garantie.

ADVERTENCIA! Estos tweeters deben utilizarse con un filtro paso alto de cruce adecuado, como los suministrados en este kit, o con un filtro activo: Butterworth de 24 dB/octava a 3 200 Hz. Si no se utiliza un filtro adecuado, el producto se dañará o fallará y NO estará cubierto por la garantía.

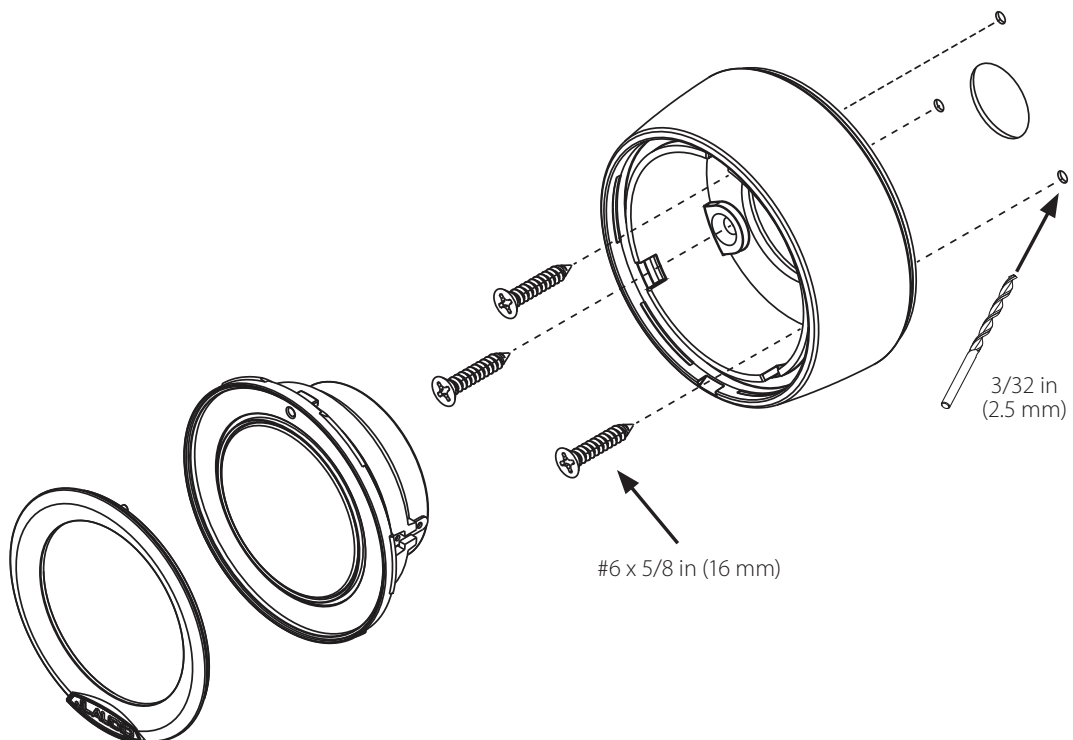
WARNING! Diese Hochtöner müssen mit einem geeigneten Hochpass-Frequenzweichenfilter verwendet werden, wie er in diesem Bausatz enthalten ist, oder aktiv gefiltert werden: 24 dB/Oktave (Butterworth) bei 3.200 Hz. Die Nichtverwendung eines geeigneten Filters führt zu einer Beschädigung oder einem Ausfall des Produkts und wird NICHT von der Garantie abgedeckt.

AVVERTIMENTO! Questi tweeter devono essere utilizzati con un filtro crossover passa-alto, come quelli forniti in questo kit, oppure con filtrazione attiva: 24 dB/ottava (Butterworth) a 3.200 Hz. Il mancato utilizzo di un filtro appropriato comporterà danni oppure guasti al prodotto e NON saranno coperti dalla garanzia.

FLUSH MOUNT (MONTAGE ENCASTRE / MONTAJE EMPOTRADO / EINBAUMONTAGE / MONTAGGIO A FILO)



SURFACE MOUNT (MONTAGE EN SURFACE / MONTAJE SOBRE SUPERFICIE / AUFBAUMONTAGE / MONTAGGIO SUPERFICIALE)



EN

IMPORTANT:

- Installation requires appropriate tools and safety equipment. Professional installation is recommended.
- This product is water-resistant. Do not submerge or subject to high-pressure water spray.
- Before installation, turn off the audio system and disconnect the battery system from the audio system.
- Before cutting or drilling, check for potential obstacles behind mounting surfaces.
- Do not mount this product in an engine compartment or other area of extreme heat.
- Mount this product securely to prevent damage or injury in severe conditions.
- Wash with mild soap and rinse with freshwater only.

!! WARNING

Listen to your audio system at levels appropriate for operating conditions and hearing safety.

FR

IMPORTANT :

- L'installation nécessite des outils et des équipements de sécurité appropriés. Une installation par un professionnel est recommandée.
- Ce produit résiste à l'eau. Ne l'immergez pas ou ne le soumettez pas à un jet d'eau à haute pression.
- Avant l'installation, éteignez le système audio et débranchez la batterie de ce dernier.
- Avant de procéder au découpage ou au perçage, vérifiez l'absence d'obstacles potentiels derrière les surfaces de montage.
- Ne montez pas ce produit dans un compartiment moteur ou une autre zone de chaleur extrême.
- Fixez solidement ce produit pour éviter tout risque de dommages ou de blessures graves.
- Lavez ce produit avec un savon doux et rincez-le à l'eau douce uniquement.

!! AVERTISSEMENT

Écoutez votre système audio à un volume adapté aux conditions de fonctionnement et à votre audition.

ES

IMPORTANTE:

- Para la instalación se requieren herramientas y equipos de seguridad adecuados. Se recomienda que la instalación la realice un profesional.
- Este producto es resistente al agua. No se debe sumergir ni rociar con agua a alta presión.
- Antes de la instalación, apague el sistema de audio y desconecte el sistema de batería del sistema de audio.
- Antes de cortar o taladrar, compruebe que no haya obstáculos detrás de las superficies de montaje.
- No monte este producto en el compartimento del motor ni en otra zona de calor extremo.
- Monte este producto de forma segura para evitar daños o lesiones en condiciones extremas.
- Para lavarlo, use jabón suave y aclárelo solo con agua dulce.

!! ADVERTENCIA

Escuche el sistema de audio a un volumen adecuado, teniendo en cuenta las condiciones de funcionamiento y la seguridad auditiva.



WARRANTY INFORMATION
MARINE/POWERSPORTS AUDIO



SKU#011572
©2021 JL Audio, Inc.

USA Limited Warranty

FOR MARINE AND POWERSPORTS AUDIO SOLD AT RETAIL:

JL Audio warrants this product to be free of defects in materials and workmanship for a period of two (2) years from the original date of purchase.

This warranty is not transferable and applies only to the original retail purchaser from an authorized JL Audio dealer in the USA. Should service be necessary under this warranty for any reason due to manufacturing defect or malfunction, JL Audio will (at its discretion), repair or replace the defective product with new or remanufactured product at no charge.

Note: Products purchased from unauthorized dealers are not covered under warranty.

Damage caused by the following is not covered under warranty: accident, misuse, physical abuse, product modification or neglect, failure to follow installation instructions, unauthorized repair attempts, misrepresentations by the seller. Loudspeakers with thermal or over-excursion damage are not covered under warranty. This warranty does not cover incidental, accidental or consequential damages and does not cover the cost of removing or reinstalling products. Cosmetic damage due to improper handling, accident or normal wear and tear or exposure to harsh chemicals is not covered under warranty. JL Audio will not be responsible for restoring or maintaining custom finishes or cosmetic treatments applied to products.

This warranty is void if the product's serial number has been removed, altered or defaced.

Any applicable implied warranties are limited in duration to the period of the express warranty as provided herein beginning with the date of the original purchase at retail, and no warranties, whether express or implied, shall apply to this product thereafter. Some states do not allow limitations on implied warranties, therefore these exclusions may not apply to you. This warranty gives you specific legal rights, and you may also have other rights which vary from state to state.

If you need service on your JL Audio product:

All USA retail warranty returns should be sent to JL Audio freight prepaid through an authorized JL Audio dealer and must be accompanied by proof of purchase (a copy of the original retail sales receipt.) Direct returns from consumers or non-authorized dealers will be refused unless specifically authorized by JL Audio with a valid return authorization number. Warranty expiration on products returned without proof of purchase will be determined from the manufacturing date code. Coverage may be invalidated as this date is prior to purchase date. Return only defective components. (If one speaker fails in a system, return only that speaker component, not the entire system.) Non-defective items received will be returned freight-collect. Customer is responsible for shipping charges and insurance in sending the product to JL Audio. Freight damage on returns is not covered under warranty.

JL Audio Customer Service:

1-954-443-1100

9:00 AM – 5:00 PM (Eastern Time Zone)

JL Audio Technical Support:

www.jlaudio.com/support

Original Equipment Warranty

For JL Audio products installed as original equipment by a boat or vehicle manufacturer, warranty coverage is provided within the boat or vehicle manufacturer's warranty program. Please contact your boat dealer or manufacturer.

International Warranty

JL Audio Marine and Powersports Audio products are warranted against defects in materials and workmanship for a minimum time period as stated in the USA warranty above, beginning on the date of purchase from a Dealer authorized by a JL Audio Distributor. The warranty is only valid within the country of purchase and products are covered by each country's JL Audio Distributor warranty program. To find your country's Distributor please visit this link: www.jlaudio.com/pages/dealer-locator

Consumers in the EEA countries and the Russian Federation are protected by local consumer law and benefit from local statutory warranties.

JL Audio reserves the right to change or modify any of the terms and conditions contained in this Warranty Statement, at any time and in our sole discretion. Any changes or modification will be effective immediately upon posting of the revisions on the JL Audio website at www.jlaudio.com/warranty, and you waive any right you may have to receive specific notice of such changes or modifications.