

# OWNER'S MANUAL

## *C2-075ct*

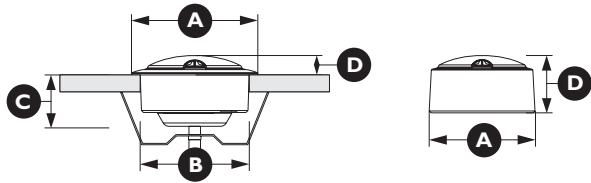
### 0.75-inch (19 mm) Component Tweeters

*Thank you for choosing a JL Audio Evolution™ C2 Component Tweeter for your automotive sound system.*

*These Evolution™ Speakers have been designed and manufactured to exacting standards in order to ensure years of musical enjoyment in your vehicle. For maximum performance, we highly recommend that you have your new speakers installed by an authorized JL Audio dealer. Your authorized dealer has the training, expertise and installation equipment to ensure optimum performance from this product. Should you decide to install the speakers yourself, please take the time to read this manual thoroughly so as to familiarize yourself with its installation requirements and setup procedures.*

*If you have any questions regarding the instructions in this manual or any aspect of your amplifier's operation, please contact your authorized JL Audio dealer for assistance. If you need further assistance, please call the JL Audio Technical Support Department at (954) 443-1100 during business hours.*





Tweeter Fixture Physical Dimensions	Flush-Mount	Surface-Mount
Fixture Outer Diameter (A)	1.75 in. / 44.5 mm	1.61 in. / 40.9 mm
Fixture Mounting Hole Diameter (B)	1.50 in. / 38.1 mm	N/A
Fixture Mounting Depth (C)	0.56 in. / 14.2 mm	N/A
Tweeter Frontal Protrusion (D)	0.36 in. / 9.1 mm	0.87 in. / 22.1 mm

## C2-075ct SPECIFICATIONS

0.75 in. (19 mm) Silk Dome, Ferrofluid Cooling / Damping, Neodymium Magnet

Continuous Power Handling: 60 Watts

Recommended Amp Power: 15-100 Watts / ch. (RMS)

Efficiency: 91.0 dB @ 1W/1m | 91.5 dB @ 1W/0.5m

Sensitivity: 93.5 dB @ 2.83V/1m

Nominal Impedance: 8 ohm

Frequency Response: 4 kHz - 22 KHz ± 3 dB

### Included Components and Parts:

- Two C2-075ct 0.75-inch (12 mm) Tweeters
- Two C2-075cthp In-Line, High-Pass Filters on 5.3 ft. (1.6 m) Wire Harnesses
- Two Metal Spring Clips (for tweeter flush mounting)
- Two Surface-Mount Tweeter Fixtures
- Four #6 x .85" (22 mm) Sheet Metal Screws
- Two 1/4-inch (6 mm) Machine Screws

Due to ongoing product development, all specifications are subject to change without notice.

## GETTING STARTED

- Turn off the audio system. It is also advisable to disconnect the negative (-) terminal of your vehicle's battery whenever performing installation work.
- Before cutting, drilling or inserting any screw, check clearances on both sides of the planned mounting surface. Also check for any potential obstacles, such as window tracks and motors, wiring harnesses, etc. Check both sides of the vehicle, many vehicles are not symmetrical!
- Always wear protective eyewear.

## TWEETER PLACEMENT CONSIDERATIONS

A component system gives you the ability to place the woofer and tweeter separately in your vehicle interior. This can be good or bad, depending on how it's done.

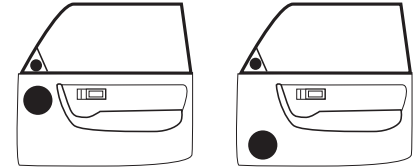
As a general rule, the tweeters should be placed relatively close to the woofers for best tonal balance and most coherent imaging (the closer, the better). Any separation greater than 8 inches (20 cm) is likely to result in degraded sound quality.

Avoid placing tweeters where they will be blocked by objects in the interior of the car (including seated occupants). When selecting a mounting location, look at both sides of the car to make sure that this location is clear on both sides.

You can always experiment with tweeter placement before committing to a final mounting location. Simply connect the rest of the system and allow plenty of wire length for the tweeters. Using velcro or similar material, attach the tweeters in different locations until you find the one where they perform best.

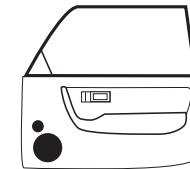
## DIAGRAM A:

### Less Desirable Speaker Placement



## DIAGRAM B:

### More Desirable Speaker Placement



## BUILT-IN TWEETER PROTECTION CIRCUITRY

The C2 Crossover networks are equipped with an advanced electronic tweeter protection circuit designed to minimize the possibility of tweeter failure. This electronic device monitors current going to the tweeter and will disconnect the tweeter from the signal when it senses overload. Should this occur while listening to the audio system, simply reduce the volume for a few seconds and the protection circuit will reset itself automatically.

## TWEETER INSTALLATION

These tweeters have been designed for surface or flush mounting. Before choosing a method, carefully inspect the desired mounting location to determine which method will work best.

**Flush Mount:** yields a custom-installed appearance, but will require at least 3/4-inch (19 mm) of clearance behind the mounting surface of the tweeter.

**Surface Mount:** uses the supplied surface mount kit and hardware requires the drilling of three holes (one for the wires and two for the mounting screws). This application is useful when mounting the tweeters to a panel that has insufficient clearance behind it for the tweeter's magnet structure.

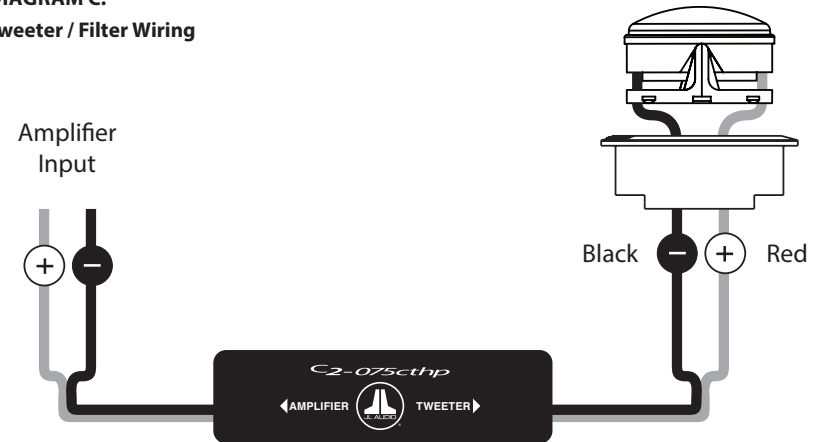
### ⚠️ WARNING

Double check the clearance for both speakers before proceeding. Many cars are different from one side to the other!

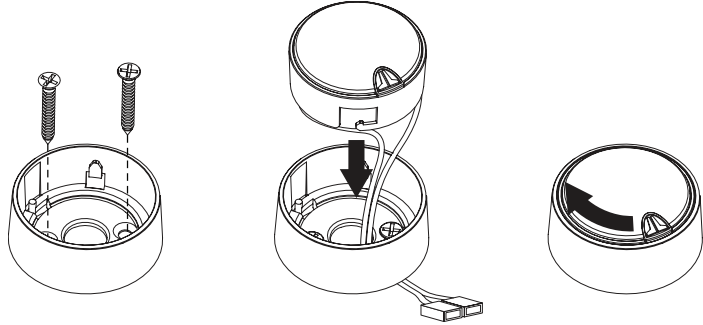
## TWEETER CONNECTIONS:

Run the supplied wiring harnesses with the in-line filters from the amplifier outputs to the tweeter mounting locations. Then connect these harnesses to the wires attached to the tweeters, observing correct polarity. See Diagram C below for details.

**DIAGRAM C:**  
**Tweeter / Filter Wiring**



**DIAGRAM D:**  
**Surface-Mount Tweeter Installation**



**SURFACE MOUNT INSTALLATION**

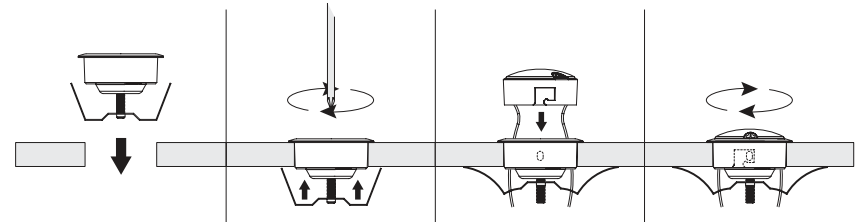
- 1) Remove the vehicle panel and check to ensure that the mounting screws will have adequate clearance.
- 2) Place the surface-mount fixture on the vehicle panel at the desired mounting location and mark the location of the two mounting screw holes and the approximate center of one of the two rectangular cutouts (for the wires).
- 3) Using a 1/16-inch (1.5 mm) drill bit, drill a hole through the panel at the two screw locations.
- 4) Using a 1/2-inch (12 mm) drill bit, drill the hole for the tweeter's wires at the location you marked in step 2.
- 5) Screw the surface mount fixture to the vehicle panel using the supplied #6 sheet metal screws (hand-tighten).

- 6) Feed the tweeter wires through the rectangular hole in the mounting fixture and the 1/2-inch hole you drilled in the panel. Then, snap the tweeter into the surface mount fixture.
- 7) Observing the correct polarity, connect the tweeter's wires to the supplied harness with the in-line high-pass filter.
- 8) Re-install the vehicle panel, taking care to route the new wiring so as not to interfere with any vehicle mechanisms (window mechanisms, for example).

**!! WARNING**

**It is absolutely vital that your component tweeter is connected as shown in Diagram C. Failure to connect the tweeter as shown will result in damage which is NOT covered under warranty. Only use in-line filters clearly marked "C2-075cthp".**

**DIAGRAM E:**  
**Flush-Mount Tweeter Installation**



**FLUSH MOUNT INSTALLATION**

- 1) Remove the vehicle panel and check to ensure that there is at least 3/4 inch (19mm) clearance behind the panel for the tweeter's magnet structure.
- 2) Carefully cut a 1-9/16-inch (40 mm) diameter hole in the vehicle panel. This will achieve a snug fit and allow the tweeter flange to conceal the cut line.
- 3) Insert the tweeter from the front of the panel (do not attach the spring clip at this time).
- 4) Attach the spring clip from behind the panel using the supplied 1/4 inch (6 mm) machine screw.
- 5) Tighten the screw by hand until the tweeter is tight on the panel. Do not overtighten.
- 6) Connect the tweeter's wires to the supplied harness with the in-line high-pass filter, observing correct polarity.
- 8) Re-install the vehicle panel, taking care to route the new wiring so as not to interfere with any vehicle mechanisms (window mechanisms, for example).

## LIMITED WARRANTY - AUTOMOTIVE SPEAKER SYSTEMS (USA)

JL AUDIO warrants these speakers (and crossover networks, where applicable) to be free of defects in materials and workmanship for a period of **one (1) year**.

This warranty is not transferable and applies only to the original purchaser from an authorized JL AUDIO dealer. Should service be necessary under this warranty for any reason due to manufacturing defect or malfunction, JL AUDIO will (at its discretion), repair or replace the defective product with new or remanufactured product at no charge. Damage caused by the following is not covered under warranty: accident, misuse, abuse, product modification or neglect, failure to follow installation instructions, unauthorized repair attempts, misrepresentations by the seller. This warranty does not cover incidental or consequential damages and does not cover the cost of removing or reinstalling the unit(s). Cosmetic damage due to accident or normal wear and tear is not covered under warranty.

Any applicable implied warranties are limited in duration to the period of the express warranty as provided herein beginning with the date of the original purchase at retail, and no warranties, whether express or implied, shall apply to this product thereafter. Some states do not allow limitations on implied warranties, therefore these exclusions may not apply to you. This warranty gives you specific legal rights, and you may also have other rights which vary from state to state.

### **If you need service on your JL AUDIO product:**

All warranty returns should be sent to JL AUDIO freight prepaid through an authorized JL AUDIO dealer and must be accompanied by proof of purchase (a copy of the original sales receipt.) Direct returns from consumers or non-authorized dealers will be refused unless specifically authorized by JL AUDIO with a valid return authorization number. Warranty expiration on products returned without proof of purchase will be determined from the manufacturing date code. Coverage may be invalidated as this date is previous to purchase date. Return only defective components. If one speaker fails in a system, return only that speaker component, not the entire system. Non-defective items received will be returned freight-collect. Customer is responsible for shipping charges and insurance in sending the product to JL AUDIO. Freight damage on returns is not covered under warranty.

### **For Service Information in the U.S.A. please call**

**JL Audio Customer Service:** (954) 443-1100

9:00 AM – 5:30 PM (Eastern Time Zone)

### **JL Audio, Inc**

10369 North Commerce Pkwy.

Miramar, FL 33025

### **International Warranties:**

Products purchased outside the United States of America are covered only by that country's distributor and not by JL Audio, Inc.