



JL AUDIO

OWNER'S MANUAL

C7-650cw

6.50-inch (165 mm) Component Woofer



C7-650cw: 6.5-inch (165 mm) Component Woofer

INTRODUCTION

Thank you for choosing JL Audio C7 loudspeakers for your automotive sound system. C7 is the pinnacle of JL Audio loudspeaker design, benefitting from patented technologies and our most advanced development tools.

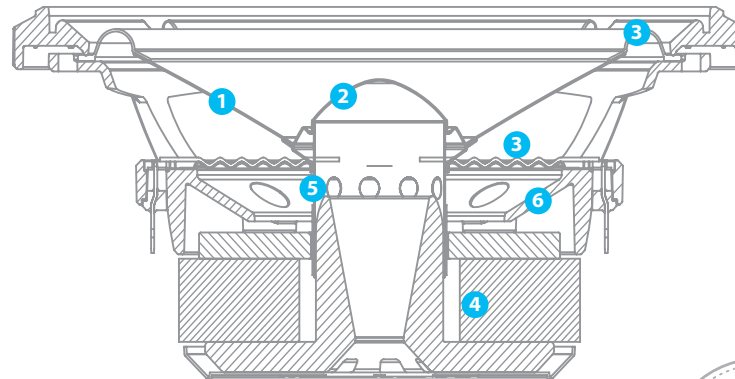
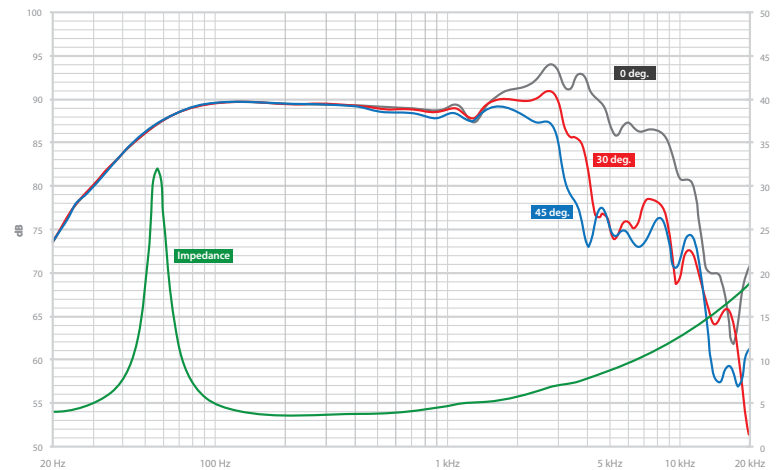
The C7-650cw is a component woofer capable of operating in a 3-way system, with a midrange and tweeter, or with only a tweeter in a 2-way configuration. It has exceptional linear excursion capability and outstanding linearity, resulting in solid mid-bass and pure, precise mid-range performance. Distortion and non-linearities have been minimized through critical optimization of dynamic motor and suspension behaviors.

We do not recommend the use of passive crossover networks with C7 loudspeakers. Instead, we recommend a high-quality tuning DSP and a dedicated amplifier channel for each C7 loudspeaker in the system. Precise setup of equalization, delay and crossover filters will ensure optimal in-vehicle performance.

Should you have any questions regarding the instructions in this manual, please contact your authorized JL Audio dealer for assistance, or contact the JL Audio Technical Support Department.

INCLUDED COMPONENT & PARTS

- One (1) C7-650cw 6.50-inch (165 mm) woofer
- One (1) die-cast aluminum grille tray
- One (1) fine mesh steel grille
- One (1) spiral steel grille
- One (1) 6.35 mm female crimpable connector
- One (1) 4.7 mm female crimpable connector
- Eight (8) #8 x 1.25-inch (32 mm) sheet metal screws



DESIGN & TECHNOLOGIES

Cone and Dust Cap:

- 1 Vacuum-formed, mineral-filled polypropylene material offers excellent damping and low mass. The cone body features a gentle curvilinear profile to optimize response.
- 2 A specially shaped dust cap attaches to the cone body and the voice coil former to improve high frequency behavior.

Suspension Design:

- 3 The moving assembly is suspended and damped via a large-diameter, linear profile spider formed from a Nomex®/polycotton blend, and a positive-roll, rubber surround. The two combine to provide optimum damping without prematurely restricting the C7-650cw's outstanding excursion capability.

Motor Design:

- 4 The C7-650cw employs a high-density magnetic circuit with a high-grade Y35 Strontium-ferrite magnet, and a specially machined, T-Yoke motor topology. Motor magnetics have been precisely optimized utilizing advanced FEA tools to reduce distortion and provide linear motor force throughout the driver's performance range.
- 5 A 32 mm (1.27 inch) diameter, overhung voice coil is employed, wound with copper wire onto a fiberglass voice coil former. The oversized voice coil offers extended power handling capability, minimizing thermal compression and distortion at higher listening levels.

Chassis Design:

- 6 A purpose-engineered cast alloy basket is employed, featuring thin spokes to maximize rear open area, and our Patented Elevated Frame Cooling technology.



Built in USA with Global Components



C7-650cw: Specifications and Crossover Setting Guidelines

C7-650cw SPECIFICATIONS

- Speaker Type:** Component Woofer
- Nominal Diameter:** 6.5 in. (165 mm)
- Nominal Impedance (Znom):** 4 ohms
- Continuous Power Handling:** 125W
- Recommended Amplifier Power:** 50-175W (RMS)
- Net Weight:** 3.28 lbs. (1.49 kg)
- Driver Rear Displacement:** 0.0135 cu.ft. (0.382 liters)
- Min. Recommended Sealed Enclosure:** 0.424 cu.ft. (12 liters)

Parameters:

- Voice Coil Resistance (Re):** 3.114 ohms
- Free Air Resonance (Fs):** 54.5 Hz
- Reference Efficiency (no):** 0.304%
- Efficiency:** 87.0 dB @ 1W/1m | 93.0 dB @ 1W/0.5m
- Sensitivity:** 90.0 dB @ 2.83V/1m
- Electrical "Q" (Qes):** 0.669
- Mechanical "Q" (Qms):** 6.265
- Total Speaker "Q" (Qts):** 0.605
- Equivalent Compliance (Vas):** 0.461 cu.ft. (13.05 liters)
- Moving Mass (Mms):** 17.679 g
- Mechanical Compliance (Cms):** 0.000482 m/N
- Magnetic Strength (BL):** 5.31 N/A
- Effective Piston Area (Sd):** 21.4 sq.in. (0.013807 sq. m)
- One-Way Linear Excursion (Xmax):** 5 mm

Design Bandwidth:

- With 48 dB/octave filters: 50 Hz - 5 kHz
- With 24 dB/octave filters: 60 Hz - 5 kHz
- With 12 dB/octave filters: 70 Hz - 5 kHz

C7 3-Way Speaker System

C7-650cw Woofer

Low-Pass: 24 dB/octave Linkwitz-Riley @ 400 Hz
Level Offset: 0 dB

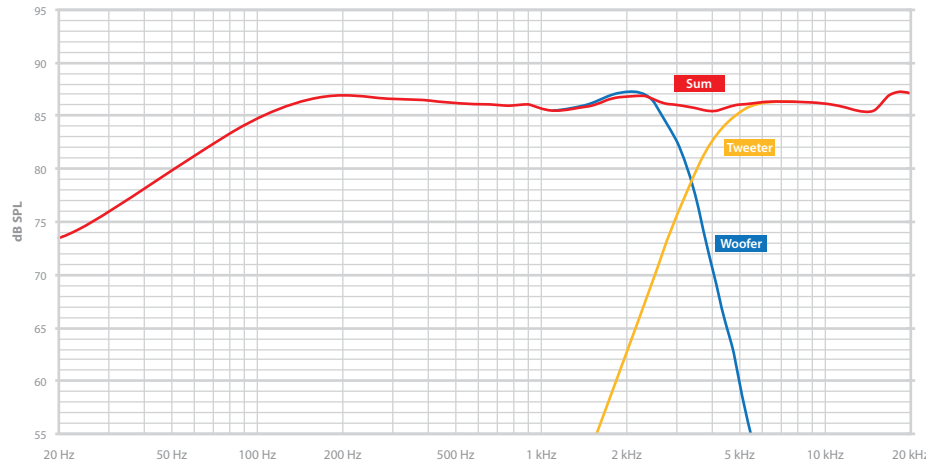
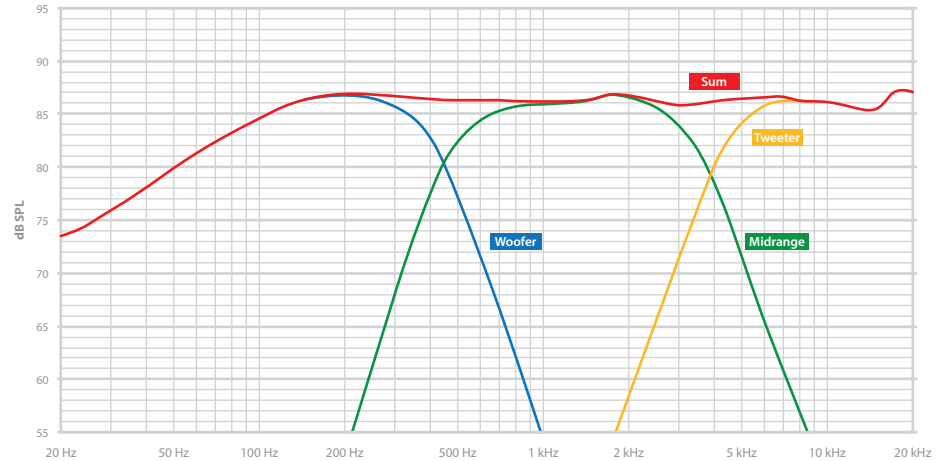
C7-350cm Midrange

High-Pass: 24 dB/octave Linkwitz-Riley @ 480 Hz
Low-Pass: 24 dB/octave Linkwitz-Riley @ 3500 Hz
Level Offset: 0 dB

C7-100ct Tweeter

High-Pass: 24 dB/octave Linkwitz-Riley @ 4500 Hz
Level Offset: -1.0 dB

Please note: These are recommended starting points for tuning. In-vehicle measurements should be made to optimize the crossover for speaker placement and vehicle acoustics.



C7 2-Way Speaker System

C7-650cw Woofer

Low-Pass: 24 dB/octave Linkwitz-Riley @ 2700 Hz
Level Offset: 0 dB

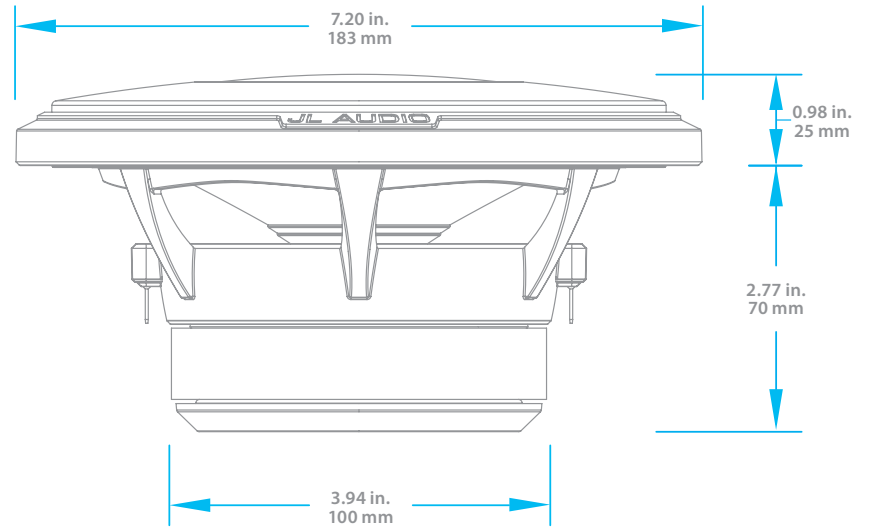
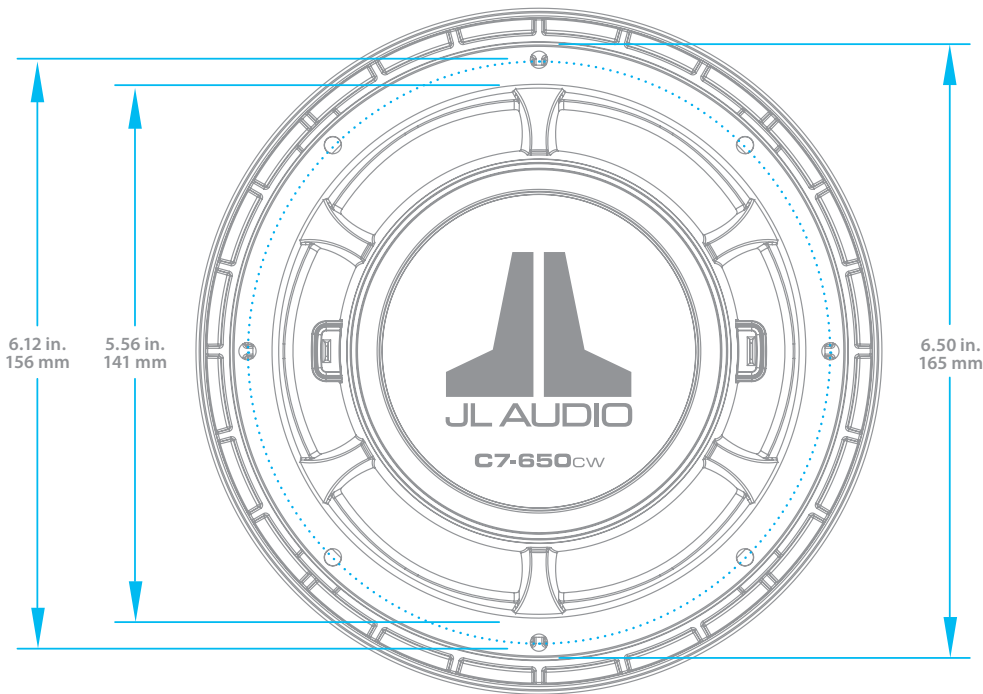
C7-100ct Tweeter

High-Pass: 24 dB/octave Linkwitz-Riley @ 4000 Hz
Level Offset: -1.0 dB

Please note: These are recommended starting points for tuning. In-vehicle measurements should be made to optimize the crossover for speaker placement and vehicle acoustics.



C7-650cw: Dimensions





C7-650cw: Installation

CROSSOVER CONSIDERATIONS

Passive crossover networks are not included with C7 drivers, as they are designed for active systems. Actively configured systems allow all filtering and/or equalization to be configured prior to reaching the amplifier, thus avoiding the technical compromises of passive crossover networks. The result is linear, crystal clear audio output and minimal distortion. **For optimum performance, we strongly recommend the use of a high-quality DSP and a dedicated amplifier channel.**

SPEAKER WIRING

If you will be using the factory speaker wires, it may be necessary to change the terminations. This may be accomplished by using an adaptor plug or simply by cutting the factory connector off and using the supplied crimp connectors to terminate the speaker wires. The larger connector is for the positive terminal and the smaller connector is for the negative terminal of the C7-650cw.

If you choose to run new speaker wires, protect all wiring from sharp edges by carefully routing them, securing them and using grommets and loom where appropriate. If you are running wires into a door, use existing factory wiring boots whenever possible. If you are drilling new holes, file their edges and install rubber grommets into each hole. Wires running into car doors should be covered with a protective, flexible PVC sleeve. Make sure that the wires will clear door hinges and other structures in the door.

SPEAKER INSTALLATION

The speakers should be installed in one of the following ways depending on location:

Factory Location: Your new speakers have been designed to install, without modifications, into most vehicles that accept a 6.50-inch (165 mm) speaker. Most factory 6.50-inch speakers use four mounting screws which will line up with the mounting holes on your woofers.

It is absolutely vital that the speaker frame fits into the mounting hole cleanly. This must be checked prior to tightening the screws. Do not force the frame into a hole that is too small. Do not tighten the speaker onto an uneven mounting surface. This will damage your speakers. The speaker should also fit so that air does not leak around the mounting flange. Air leaks will cause a severe degradation in sound quality. Seal any air leaks with an automotive-grade sealant material. Hand-tighten the screws evenly in a criss-cross pattern to avoid bending the speaker frame or stripping the mounting screw holes. (See Diagram C).

Custom Location: Select a desired mounting location with an even surface. Tightening a speaker onto an uneven mounting surface can damage it. Mark the center and the outline of the speaker's mounting hole. Before drilling or cutting on your interior panels, use a utility knife to cut any fabric, vinyl or leather from hole locations. These materials can easily be snagged by a drill or a saw, causing damage to the panel and possible bodily injury. Drill a pilot hole in the center of the proposed speaker mounting hole. Then, using an appropriate cutting tool, make the circular cut out for the speaker. File any rough edges.

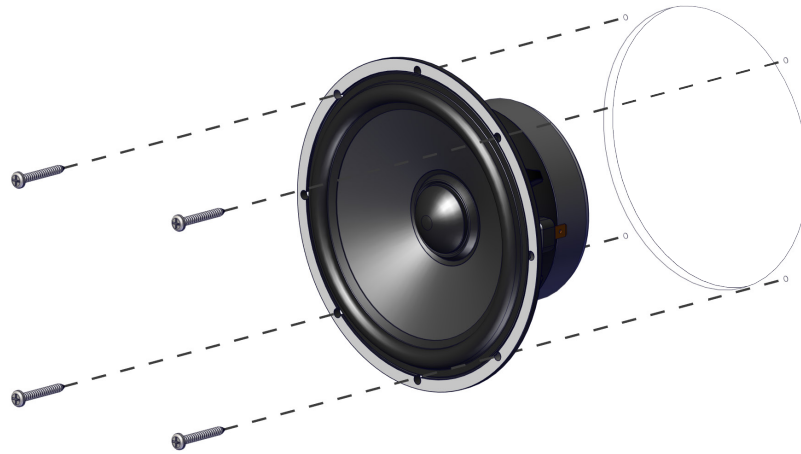
After cutting the hole, check to see that the speaker frame fits into its mounting hole cleanly. Do not force the frame into a hole that is too small. Once the speaker is in place, use the holes on the speaker's mounting flange to mark the panel where the four mounting screws will be positioned (See Diagram D). Remove the speaker and drill 1/8-inch (3 mm) holes at each mark. Connect the speaker wires, observing correct polarity, and secure the speaker and grille tray to the panel by evenly tightening by hand the provided #8 x 1.25 inch (32 mm) mounting screws. Make sure the speaker is secured so that air does not leak around the mounting flange. Air leaks will cause a severe degradation in sound quality. Seal any air leaks with an automotive-grade sealant material.

Finally, select your preferred grille style and insert it into the grille tray, pressing around its edge until seated firmly in the tray.



C7-650cw: Installation

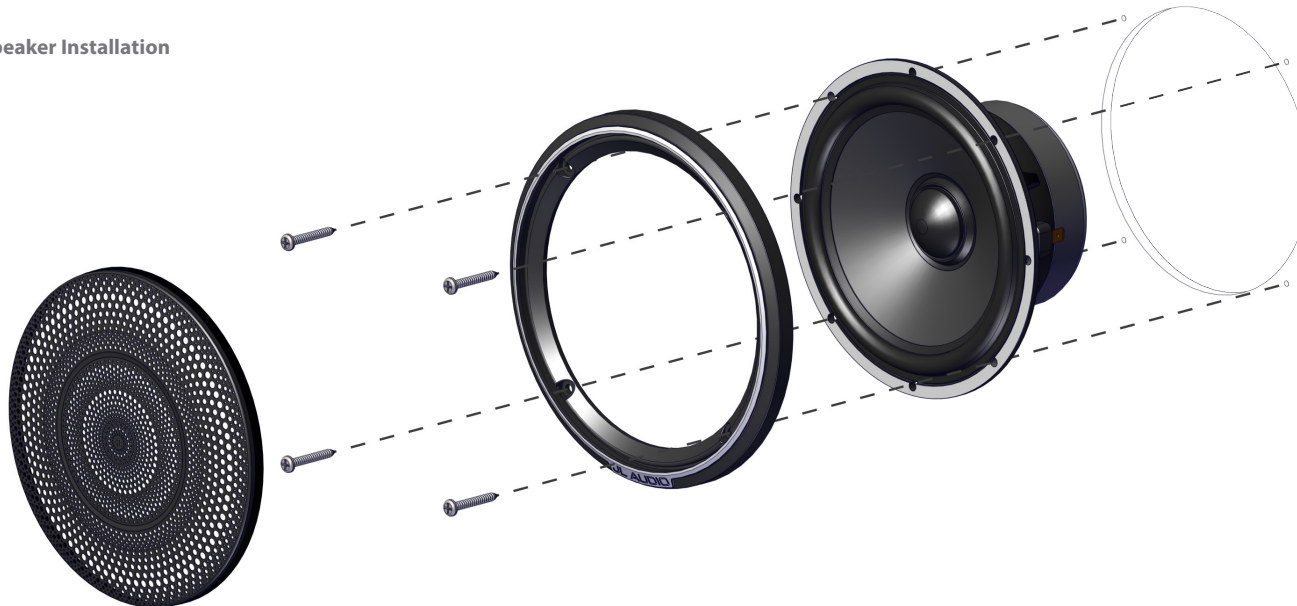
Diagram C:
Factory Location Speaker Installation



⚠ WARNING

Hand-tighten the screws evenly in a criss-cross pattern to avoid bending the speaker frame or stripping the mounting screw holes.

Diagram D:
Custom Location Speaker Installation





Limited Warranty

JL AUDIO warrants this speaker to be free of defects in materials and workmanship for a period of one (1) year from the original date of purchase.

This warranty is not transferrable and applies only to the original purchaser of the product from an authorized JL AUDIO dealer. Should service be necessary under this warranty for any reason due to manufacturing defect or malfunction, JL AUDIO will, at its discretion, repair or replace the defective product with new or remanufactured product at no charge.

Damage caused by the following is not covered under warranty: accident, misuse, abuse, product modification or neglect, failure to follow installation instructions, unauthorized repair attempts, misrepresentations by the seller. This warranty does not cover incidental or consequential damages and does not cover the cost of removing or reinstalling the unit(s). Cosmetic damage due to accident or normal wear and tear is not covered under warranty.

Any applicable implied warranties are limited in duration to the period of the express warranty as provided herein beginning with the date of the original purchase at retail, and no warranties, whether express or implied, shall apply to this product thereafter. Some states do not allow limitations on implied warranties, therefore these exclusions may not apply to you. This warranty gives you specific legal rights, and you may also have other rights which vary from state to state.

If you need service on your JL AUDIO product:

All warranty returns should be sent to JL AUDIO freight prepaid through an authorized JL AUDIO dealer and must be accompanied by proof of purchase (a copy of the original sales receipt). Direct returns from consumers or non-authorized dealers will be refused unless specifically authorized by JL AUDIO with a valid return authorization number. Warranty expiration on products returned without proof of purchase will be determined from the manufacturing date code. Coverage may be invalidated as this date is previous to purchase date. Return only defective components. Non-defective items received will be returned freight-collect. The customer is responsible for shipping charges and insurance in sending the product to JL AUDIO. Freight damage on returns is not covered under warranty. Always include proof of purchase (sales receipt).

For Service Information in the U.S.A. please call:

JL Audio customer service: (954) 443-1100 during normal business hours (Eastern Time)

JL Audio, Inc

10369 North Commerce Parkway, Miramar, FL 33025

International Warranties:

Products purchased outside the United States of America are covered only by that country's distributor and not by JL Audio, Inc.

JL AUDIO® | How we play.®

www.jludio.com

10369 North Commerce Parkway • Miramar, Florida • 33025 • USA

"How we play.", "Ahead of the Curve", "JL Audio" and the JL Audio logo are registered trademarks of JL Audio, Inc.
"C7" and its respective logo are trademarks of JL Audio, Inc.

©2022 JL Audio, Inc. • For more detailed information please visit us online at www.jludio.com. Due to our policy of continuous product development, all specifications are subject to change without notice.