

**JL AUDIO**<sup>®</sup>  
A Garmin Brand



**Stealthbox**<sup>®</sup>

INSTALLATION GUIDE  
for the

SBX-F-MAVG1/10TW1  
**SKU# 94748**  
2021-Up Ford Maverick

**Enclosure Type:** Sealed

**Driver Type:** 10TW1

**Nominal Impedance:** 2 ohms

**Continuous Power Handling:** 300 watts (RMS method)

**! IMPORTANT**

- Installation requires appropriate tools and safety equipment. Professional installation is recommended.
- If you prefer to perform your own installation, please read this installation guide completely before beginning.
- Before cutting or drilling, check for potential obstacles behind mounting surfaces.
- Mount this product securely to prevent damage or injury in severe conditions.

INSTALLATION  
DIFFICULTY:

2<sup>OUT</sup>  
OF 5

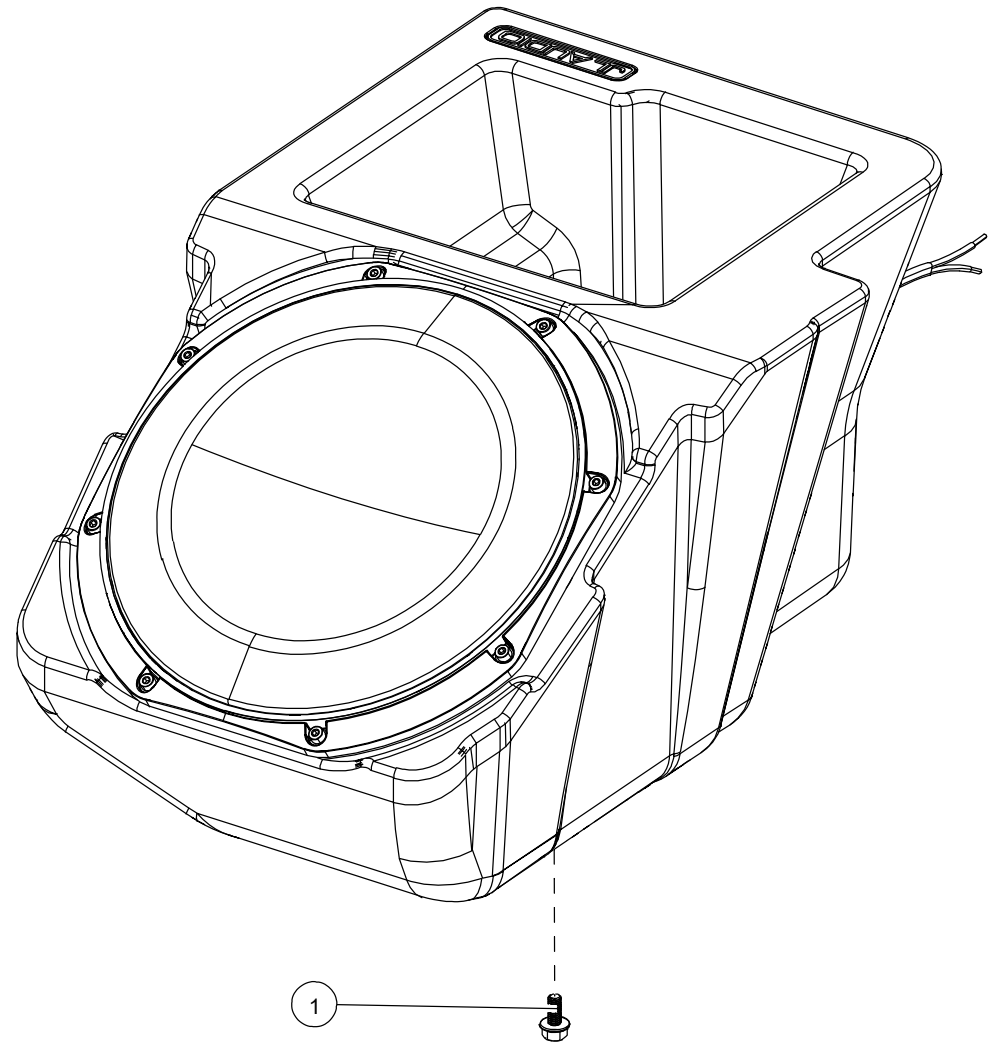
ESTIMATED TIME:  
2 HOURS

JL AUDIO  
~ Quality & Design ~  
**SBX**<sup>®</sup>  
STEALTHBOX

**INCLUDED HARDWARE**

---

BOM ID	Qty	SKU	Description
1	1	155078	M6 x 14mm Flanged Hex Head Screw
-	1	194157	Vibra-tite 132 (not shown)
-	1	150249	Foam Tape Strips (not shown)





**STEP 1**

Empty the rear seat area.



**STEP 2**

Lift the rear seat and empty the storage pocket. Carefully remove C-pillar cover on both sides of the vehicle.



**STEP 3**

Carefully unclip and remove the rear door sill panels on both sides of the vehicle.



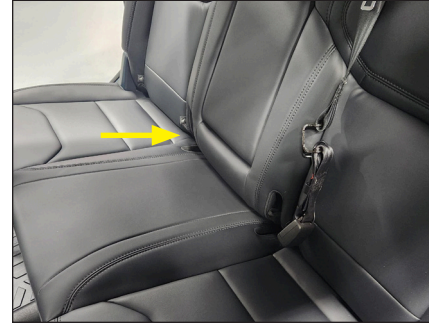
**STEP 4**

Remove the T-50 Torx bolt from seat belt bracket under the seat on the passenger side, and disconnect the harness.



**STEP 5**

Pull the seat belt bracket through to the top of the seat cushion.



**STEP 6**

Push the seat belt buckles below the seat cushion.



**STEP 7**

Remove two 15mm bolts from the seat bracket on both sides of the vehicle.



**STEP 8**

Press the release tab and lift the to remove each of the rear seat headrests.



**STEP 9**

Pull the release strap to release the seat back.



**STEP 10**

Carefully remove the rear seat from the vehicle.



**STEP 11**

Remove the passenger side storage pocket.



**STEP 12**

Remove the driver's side storage pocket.



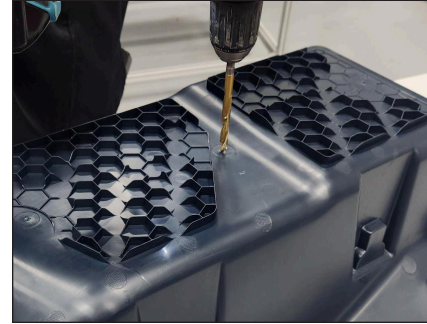
**STEP 13**

Place the driver side storage pocket face down, and locate the indicated marker.



**STEP 14**

Using a 1/8" drill bit, carefully drill through the center of the marker on the storage pocket.



**STEP 15**

Using a 5/16" drill bit, enlarge the hole drilled in the previous step.



**STEP 16**

Peel the adhesive backing and place Foam Tape strips into the driver side storage pocket, as needed.



**STEP 17**

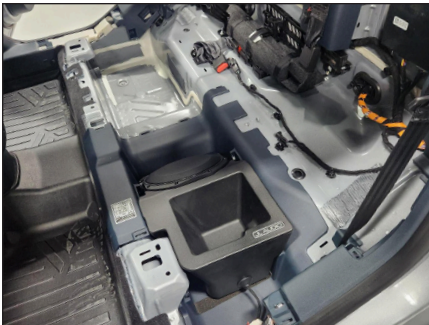
Route the speaker cable as necessary and place the enclosure into the storage pocket.

Apply Vibra-Tite 132 to an M6 x 14mm Flanged Hex Head Screw, pass it through drilled hole in the bottom of the storage pocket, into the threaded insert in the enclosure, and fully tighten.



**STEP 18**

Peel the adhesive backing and place Foam Tape strips onto the vehicle floor, as needed.



**STEP 19**

With the enclosure installed in the driver side storage pocket, reinstall the pocket.



**STEP 20**

Reinstall the passenger side storage pocket, the rear seats, headrests, seat belt brackets and trim panels.

**CONGRATULATIONS!**

You have completed the installation for this model! Enjoy your new Stealthbox®!



**MID/HIGH FREQUENCY DRIVER FITMENT**

A variety of JL Audio coaxial and component systems will fit in the factory speaker locations of your vehicle.

Location / OEM Speaker Size		Suggested JL Audio Speaker Models	
		Coaxial Models	Component Models
Front	Door / 6.5-inch	C1-650x, C2-650x	C1-650, C2-650, C3-650, C6-650cw <sup>(2)</sup> , C7-650cw <sup>(2)</sup>
Rear	Pillar / 4-inch	C1-400x, C2-400x	C7-350cm <sup>(1)</sup>

1 - Installation may require adaptor, 2 - Component woofer only

JL AUDIO | How we play.®

(954) 443-1100

www.jlaudio.com

Please review the warranty information included with each product for details. Warranty is valid only if the product was purchased from an Authorized JL Audio Dealer. Authorized dealer status can be verified with the Dealer Locator on www.jlaudio.com. International Warranty: Please contact your country's JL Audio distributor for specific warranty details. © Garmin Ltd. or its subsidiaries. All rights reserved. • Garmin, JL Audio, Stealthbox, and How we play, are trademarks of Garmin Ltd. or its subsidiaries and are registered in one or more countries, including the U.S. The JL Audio logo, the How we play logo, the Stealthbox logo, and the SBX logo are trademarks of Garmin Ltd. or its subsidiaries. Product images shown are for illustrative purposes only and may differ from the actual product. Due to continuous product development, all specifications are subject to change without notice.

JLA-SKU# 011612 • ver. 04.18.2024 • 10369 NORTH COMMERCE PARKWAY • MIRAMAR, FLORIDA • 33025 • USA



\*011612\*