

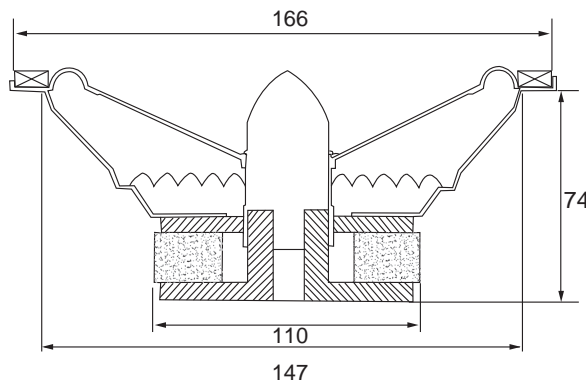
M6

Midrange Speakers



KEY FEATURES

- 1.5" Voice Coil
- 140 Watts Continuous Power Handling
- 96 dB Sensitivity
- 270-10 KHz



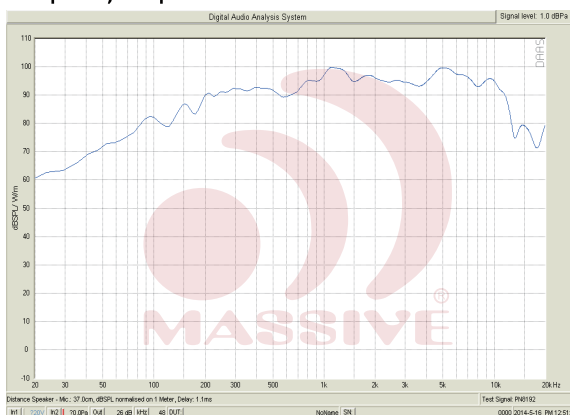
GENERAL SPECIFICATIONS

Nominal Diameter	6.5" (166 mm)
Nominal Impedance	8 ohm
Rated Power Handling	140 Watts
Program Power	280 Watts
Sensitivity 2.00v at 1m	96 dB
Recommended Hi Pass Crossover	270 Hz
Frequency Response	270-10 KHz
Voice Coil Diameter at - 10dB	1.5" (38 mm)
Voice Coil Wire	CCAW
Former Material	Til
Frame Material	Stamped Steel

THIELE-SMALL PARAMETERS

Equivalent Volume	Vas	2.23 L
Excursion	Xmax	0.75 mm
Free Air Resonance	Fs	270 Hz
Mechanical Mass	Qms	1.27
Electcal Factor	Qes	0.814
Total Factor	Qts	0.496
Cone Area	Sd	0.014 m2
Mechanical Mass	Mms	0.0073 kg
BI Factor	Bl	7.7 Tm
Dc Resistance	Re	5.2 ohms
Inductance	Le	0.22 Mh at 1 KHz
Mechanical Compliance	Cms	0.85 mm/N

Frequency Response Measured at 2.00V/1m



300
PEAK WATTS

