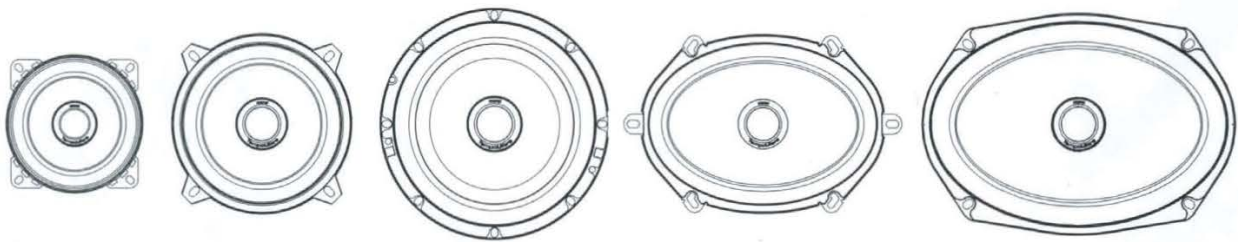
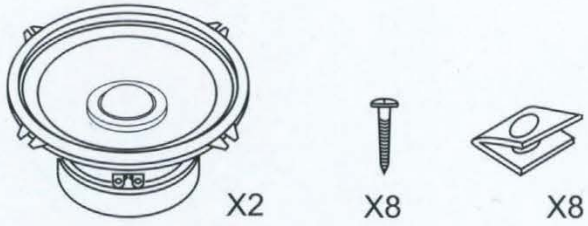


USER MANUAL

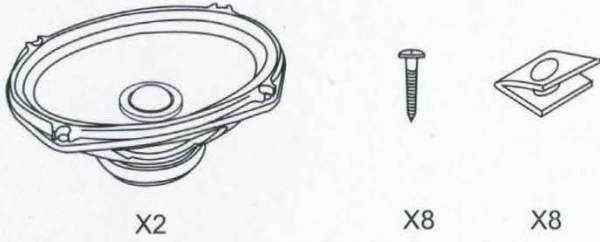


402 / 502 / 602 / 572 / 692

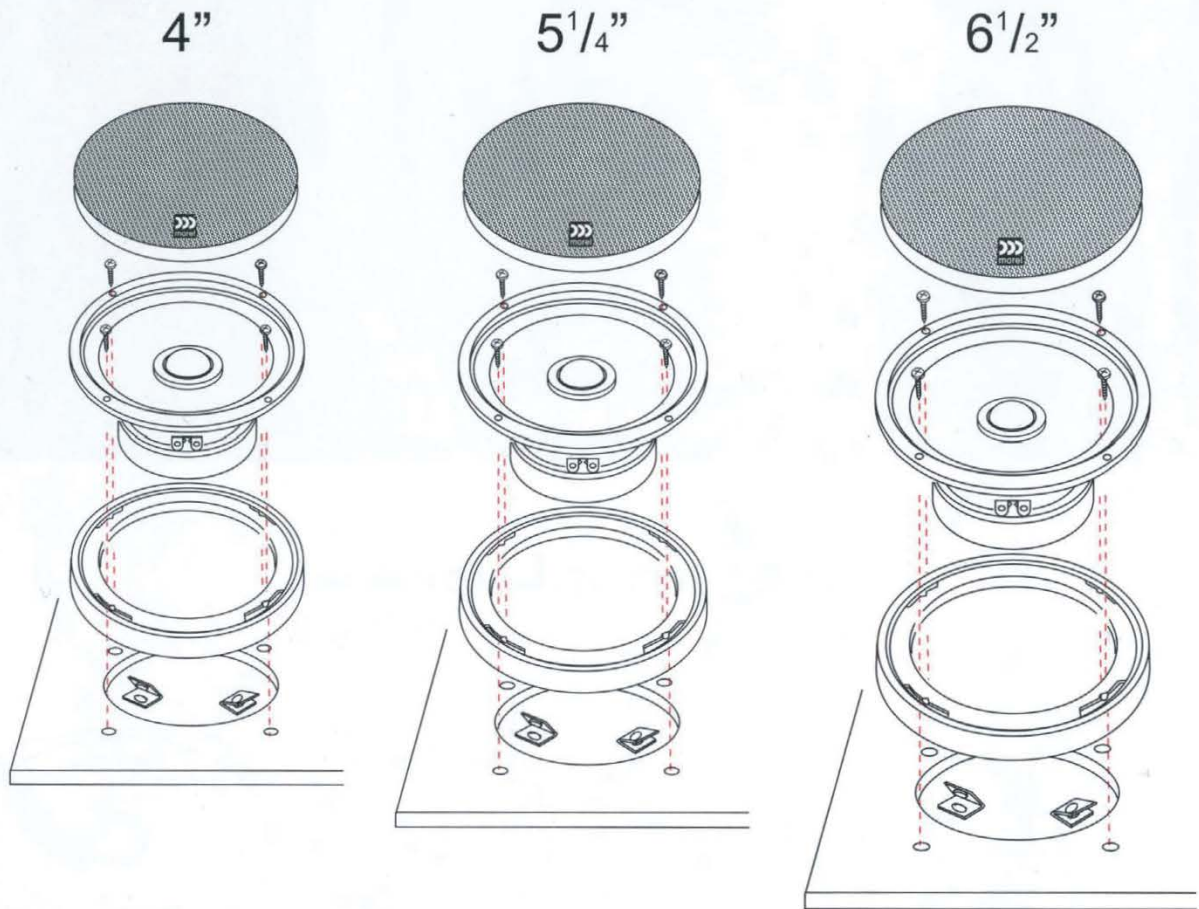
Content - 4" / 5 1/4" / 6 1/2"



Content - 6x9" / 5x7"



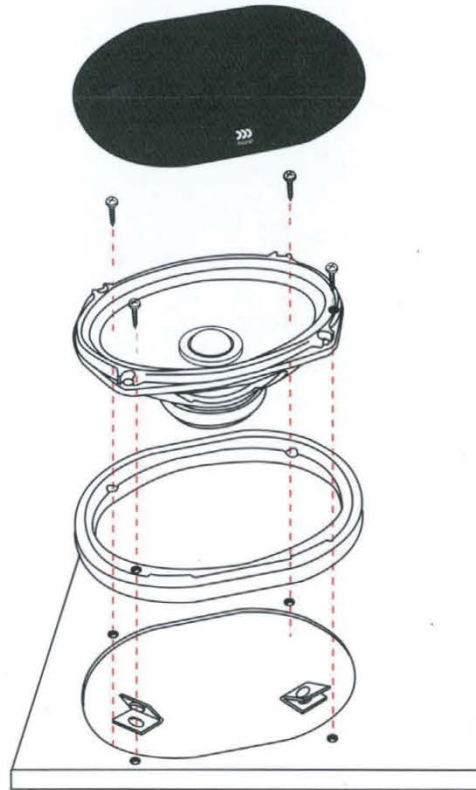
### Woofer Mounting



\*Grills purchased separately

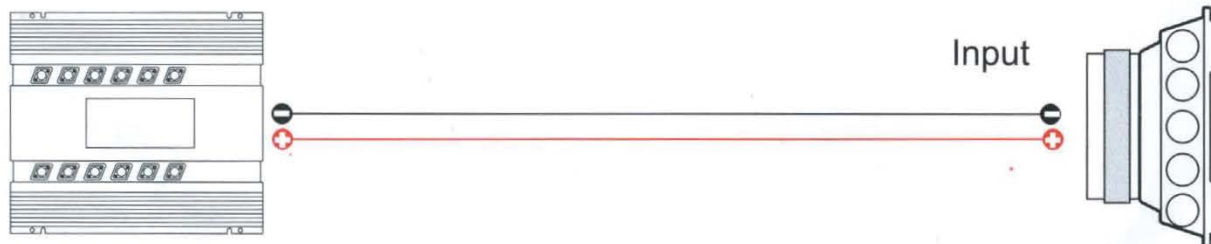
## Woofer Mounting

6x9" / 5x7"



## Connection Diagram

### Amplifier/Head unit



## Specifications

Tempo Integra		402	502	602
Nominal Impedance		4 ohm	4 ohm	4 ohm
Power Handling		60W	100W	120W
Max. Transient Power Handling		140W	220W	220W
Sensitivity (2.83V/1M)		85db	89db	90db
Frequency Response		80-22000Hz	55-22000Hz	50-22000Hz
Voice Coil Diameter	Woofers:	32 mm (1.30")	38 mm (1.50")	38 mm (1.50")
	Tweeters:	19 mm (0.8")	25 mm (1.00")	25 mm (1.00")
Voice Coil Wire	Woofers:	Copper	Copper	Copper
	Tweeters:	Copper	Copper	Copper
Magnet System	Woofers:	high-grade ferrite	high-grade ferrite	high-grade ferrite
	Tweeters:	Neodymium	Neodymium	Neodymium
Mounting Depth		57 mm (2.25")	57 mm (2.25")	64 mm (2.52")

Tempo Integra		572	692
Nominal Impedance		4 ohm	4 ohm
Power Handling		110W	150W
Max. Transient Power Handling		220W	250W
Sensitivity (2.83V/1M)		90db	92db
Frequency Response		60-22000Hz	35-22000Hz
Voice Coil Diameter	Woofers:	38 mm (1.50")	38 mm (1.50")
	Tweeters:	25 mm (1.00")	25 mm (1.00")
Voice Coil Wire	Woofers:	Copper	Copper
	Tweeters:	Copper	Copper
Magnet System	Woofers:	high-grade ferrite	high-grade ferrite
	Tweeters:	Neodymium	Neodymium
Mounting Depth		62 mm (2.45")	85 mm (3.35")

