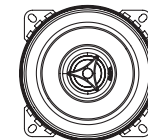
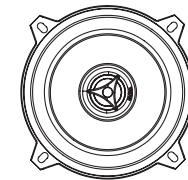
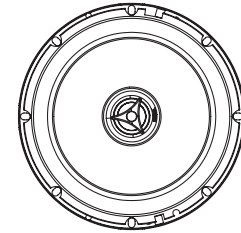
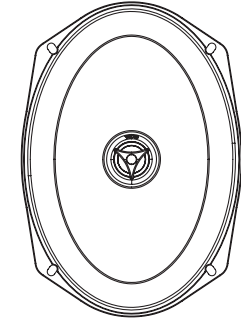


Specifications

Maximo Ultra Coax		4"	5 1/4"	6 1/2"	6 X 9"
Nominal Impedance		4 ohm	4 ohm	4 ohm	4 ohm
Power Handling		50W	80W	90W	110W
Max. Transient Power Handling		100W	140W	160W	200W
Sensitivity (2.83V/1M)		87.5dB	89.5dB	91dB	92dB
Frequency Response		75-20,000 Hz	55-20,000 Hz	55-20,000 Hz	45-20,000 Hz
Voice Coil Diameter	Woofer:	25mm(1")	25mm(1")	25mm(1")	25mm(1")
	Tweeter:	19mm(0.8")	19mm(0.8")	19mm(0.8")	19mm(0.8")
Voice Coil Wire		Copper	Copper	Copper	Copper
Magnet System	Woofer:	High grade ferrite magnet	High grade ferrite magnet	High grade ferrite magnet	High grade ferrite magnet
	Tweeter:	Neodymium	Neodymium	Neodymium	Neodymium
Mounting Depth		52mm (2.1")	56mm (2.2")	63mm (2.5")	81mm (3.24")



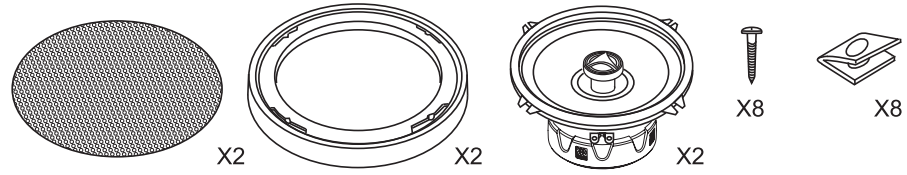
www.morelhifi.com



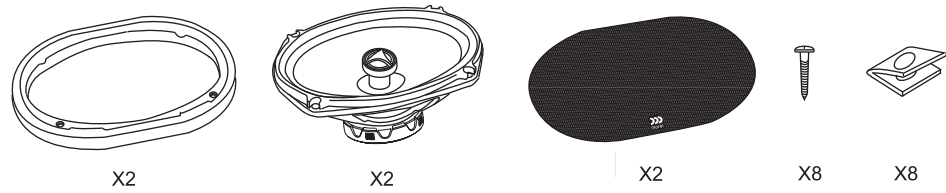
402 COAX / 4" Coaxial Speakers / 502 COAX / 5 1/4" Coaxial Speakers / 602 COAX / 6 1/2" Coaxial Speakers / 692 COAX / 6X9" Coaxial Speakers

morel maximo ultra MkII
Car Audio Coaxial Speakers

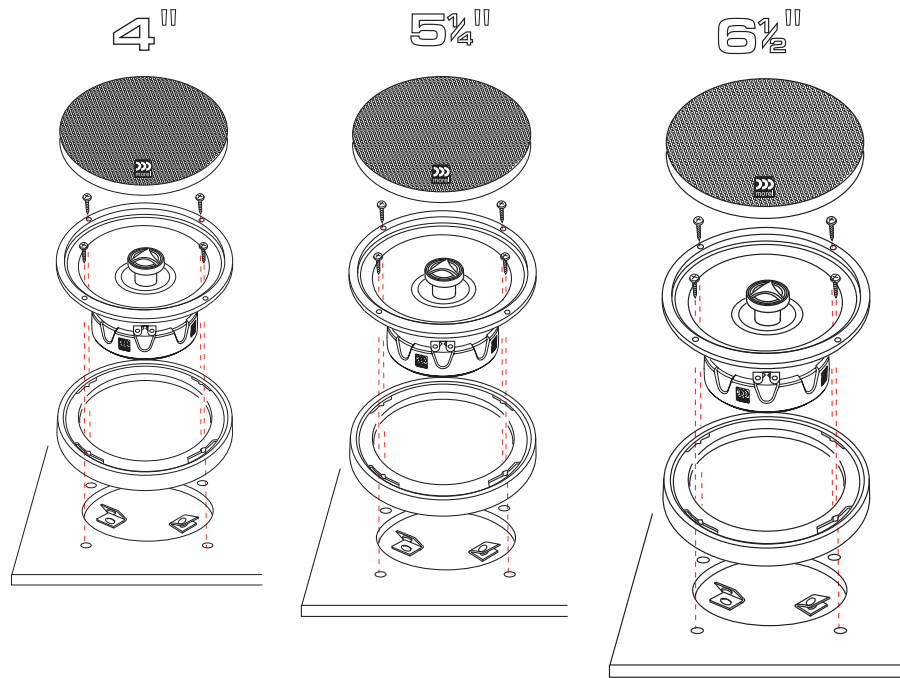
Content - 4" / 5¼" / 6½"



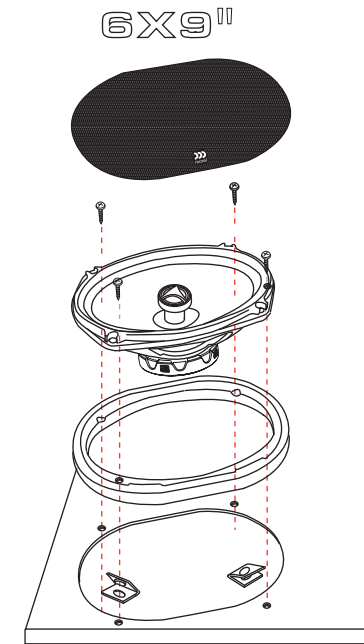
Content - 6x9"



Woofer Mounting



Woofer Mounting



Connection Diagram

