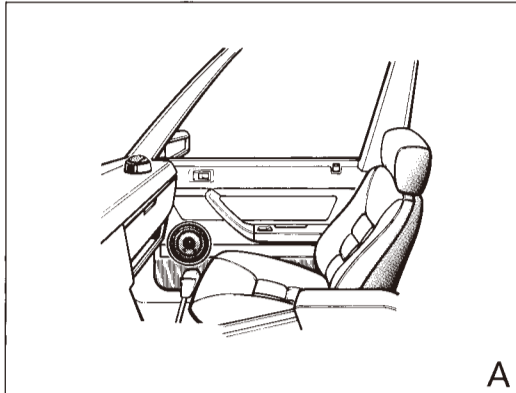
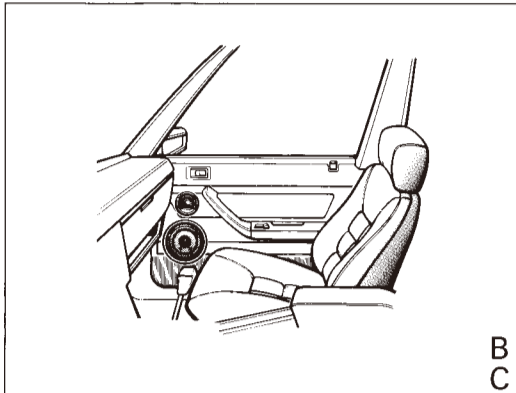


Be sure to read this instruction manual before installing this speaker.  
Prière de lire obligatoirement ce manuel d'installation avant de monter les haut-parleurs.  
Antes de instalar el altavoz es importante que lea estas instrucciones.

- EXAMPLE OF MOUNTING
- EXEMPLE DE MONTAGE
- EJEMPLO DE MONTAJE



A

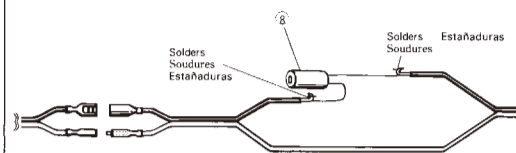


B

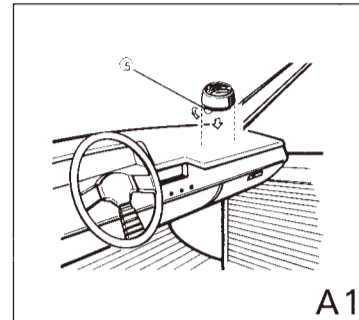
**CAUTION**  
When the network is put out of use, this tweeter may rupture. Be sure to use the accessory capacitor to avoid the damage of the speaker. The capacitor should be soldered in series as illustrated below.

**ATTENTION**  
Quand le réseau est mis hors service, ce tweeter risque de se briser. Veiller donc à utiliser le condensateur fourni comme accessoire pour éviter d'endommager le haut-parleur. Le condensateur doit être soudé en série comme illustré ci-dessous.

**PRECAUCION**  
Cuando la red está fuera de servicio, el altavoz de agudos puede dañarse. Asegure de utilizar el capacitor de accesorio para evitar el daño al altavoz. El capacitor debe soldarse en serie tal como se muestra a continuación.



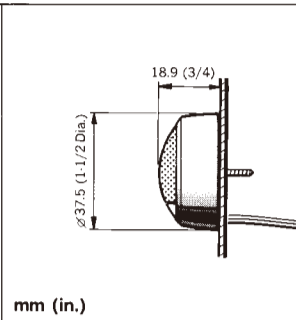
### ●HOW TO INSTALL



A1

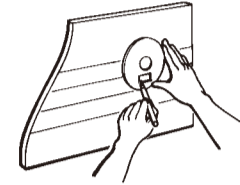
mm (in.)

### ●MODE D'INSTALLATION

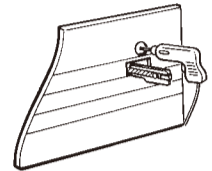


B1

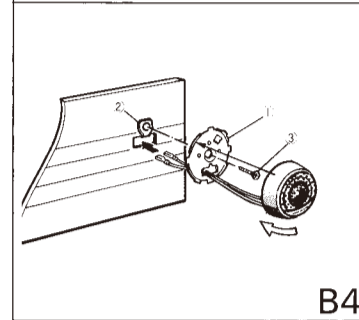
### ●INSTALACION



B2

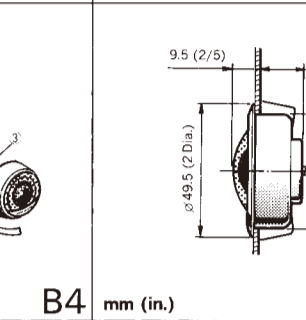


B3

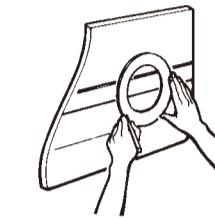


B4

mm (in.)

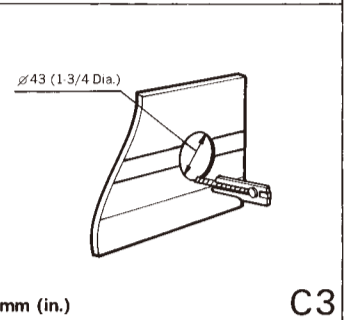


C1

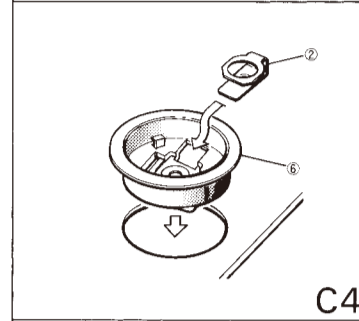


C2

mm (in.)



C3

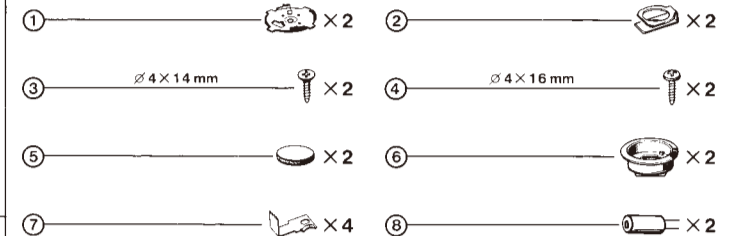


C4

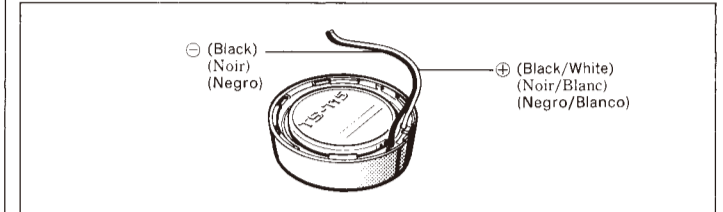


C5

- PARTS INCLUDED
- PIECES COMPRISES
- PIEZAS INCLUIDAS



- This product does not contain connecting cords and terminals.
- Ce produit ne comprend pas de câbles et bornes raccordement.
- Este producto no contiene cables de conexión ni terminales.



 **WARNING**

---



*Dear Customer:*

Selecting fine audio equipment such as the unit you've just purchased is only the start of your musical enjoyment. Now it's time to consider how you can maximize the fun and excitement your equipment offers. PIONEER and the Electronic Industries Association's Consumer Electronics Group want you to get the most out of your equipment by playing it at a safe level. One that lets the sound come through loud and clear without annoying blaring or distortion—and, most importantly, without affecting your sensitive hearing.

Sound can be deceiving. Over time your hearing "comfort level" adapts to higher volumes of sound. So what sounds "normal" can actually be loud and harmful to your hearing. Guard against this by setting your equipment at a safe level **BEFORE** your hearing adapts.

**To establish a safe level:**

- Start your volume control at a low setting.
- Slowly increase the sound until you can hear it comfortably and clearly, and without distortion.

**Once you have established a comfortable sound level:**

- Set the dial and leave it there.

Taking a minute to do this now will help to prevent hearing damage or loss in the future. After all, we want you listening for a lifetime.



## We Want You Listening For A Lifetime

Used wisely, your new sound equipment will provide a lifetime of fun and enjoyment. Since hearing damage from loud noise is often undetectable until it is too late, PIONEER ELECTRONICS and the Electronic Industries Association's Consumer Electronics Group recommend you avoid prolonged exposure to excessive noise. This list of sound levels is included for your protection.

**Decibel  
Level Example**

30	Quiet library, soft whispers
40	Living room, refrigerator, bedroom away from traffic
50	Light traffic, normal conversation, quiet office
60	Air conditioner at 20 feet, sewing machine
70	Vacuum cleaner, hair dryer, noisy restaurant
80	Average city traffic, garbage disposals, alarm clock at two feet.

### THE FOLLOWING NOISES CAN BE DANGEROUS UNDER CONSTANT EXPOSURE

90	Subway, motorcycle, truck traffic, lawn mower
100	Garbage truck, chain saw, pneumatic drill
120	Rock band concert in front of speakers, thunderclap
140	Gunshot blast, jet plane
180	Rocket launching pad

Information courtesy of the Deafness Research Foundation.

