

POWER ACOUSTIK®

caliber



OWNERS MANUAL

THANK YOU FOR CHOOSING POWER ACOUSTIK SUBWOOFERS, DESIGNED & ENGINEERED IN THE U.S.A. THIS SUBWOOFER COMBINES INNOVATIVE TECHNOLOGY WITH THE FINEST MATERIALS TO CONSISTENTLY DELIVER ABSOLUTELY STATE OF THE ART PERFORMANCE, SOUND QUALITY, RELIABILITY, AND VALUE. THIS POWER ACOUSTIK SUBWOOFER REFLECTS OUR COMMITMENT TO OFFER YOU UNPARALLELED PERFORMANCE AND QUALITY FOR YEARS OF DEPENDABLE SERVICE AND LISTENING ENJOYMENT.

SUBWOOFERS DO NOT NEED TO HAVE MONSTER MAGNETS TO WORK PROPERLY. THESE ALL-NEW DRIVERS ARE GREAT FOR THE MODEST POWERED SYSTEM AND YIELD GREAT SOUND QUALITY AND MUCH LOWER BASS THAN THE PREVIOUS MODELS. EACH MODEL FEATURES A MOLDED POLYPROPYLENE CONE AND BUTYL RUBBER SURROUND FOR GREAT PERFORMANCE AND DURABILITY. DUAL 4-OHM VOICE COILS ARE WOUND ON KAPTON FORMERS FOR VERSATILITY AND BETTER HEAT DISSIPATION. CHECK OUT THE NEW ENTRY LEVEL DRIVERS AND SEE FOR YOURSELF THAT LOW COST SUBS DO NOT HAVE TO SACRIFICE PERFORMANCE!

FEATURES, PARAMETERS, & SPECIFICATIONS

- OPTIMIZED MOTOR STRUCTURE FOR IMPROVED LOW BASS DYNAMICS
- 6MM TOP PLATE & VENTED T-YOKE REDUCES VOICE COIL HEAT
- 1.50" 4-LAYER VOICE COIL ON KAPTON COIL FORMER
- NICKEL PLATED QUICK-DISCONNECT WIRE TERMINALS
- HIGH-TEMPERATURE TOLLERANCE ADHESIVES RESIST THERMAL FAILURE
- INJECTION MOULDED POLYPROPYLENE CONE W/ FOAM SURROUND
- POLY-COTTON SUSPENSION DAMPEN VIOLENT ACCELERATIONS
- STITCHED VOICE COIL LEADS PREVENT POTENTIAL DAMAGE

SPECIFICATION	CBW-124
Fs (Hz)	34.6
QMS	6.18
VAS (FT ³)	2.93
CMS (MM/N)	.23
MMS (G)	92.9
XMAX (MM)	6
XMECH (MM)	18
QES	.677
RE (Ω)	3.5
Z (Ω)	4
BL (TM)	9.5
MAX POWER	1,500W
RMS POWER	500W
QTS	1.25
NO (%)	.21
EFFICIENCY (1W/1M)	85.3DB
IMPEDANCE	DVC 4 Ω



VEHICLE CONDITIONS, AMPLIFIER, MUSIC PREFERENCES, & OTHER VARIABLES MAKE IT DIFFICULT TO GIVE YOU EXACT DIMENSIONS FOR AN ENCLOSURE DESIGN. FOR ENCLOSURE DESIGNS TAILORED TO YOUR SPECIFIC NEEDS, PLEASE CONTACT US AT TECH-SUPPORT@POWERACOUSTIK.COM, OR 1-800-724-1377.

ALL ENCLOSURES SHOULD BE MADE OF .75" (3/4") MATERIAL ONLY. WHEN POSSIBLE, MAKE THE BAFFLE 1.5" (1 1/2) THICK AND ADD .75" (3/4") TO THE DEPTH OF THE ENCLOSURE TO COMPENSATE. ALL VOLUMES INCLUDE VENT/PORT AND SUBWOOFER DISPLACEMENTS. DO NOT CHANGE THE VOLUME UNLESS YOU PLAN ON ADDING A SUBSTANTIAL AMOUNT OF BRACING. FOR ADDED PERFORMANCE, APPLYING A COAT OF FIBERGLASS RESIN TO THE INTERIOR WALLS WILL GREATLY IMPROVE SEALING THE ENCLOSURE. ADDING A THIN LAYER OF POLY-FILL WILL IMPROVE RESPONSE BY SMOOTHING OUT REFLECTIONS WITHIN THE ENCLOSURE.

BELOW ARE RECOMMENDED ENCLOSURE DESIGNS AND THEIR EXPECTED PERFORMANCE:

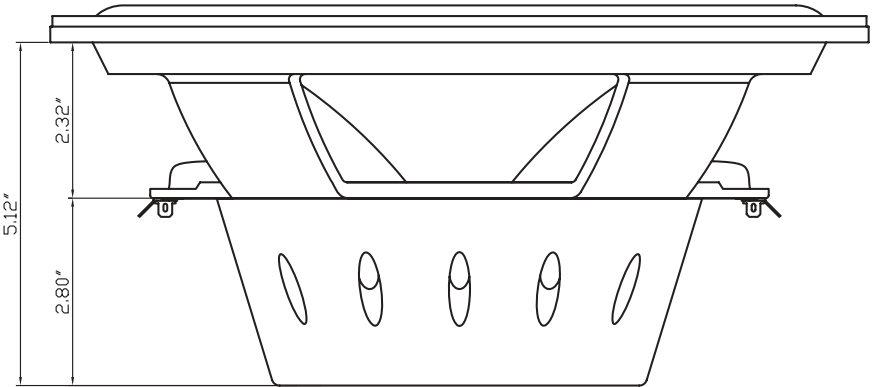
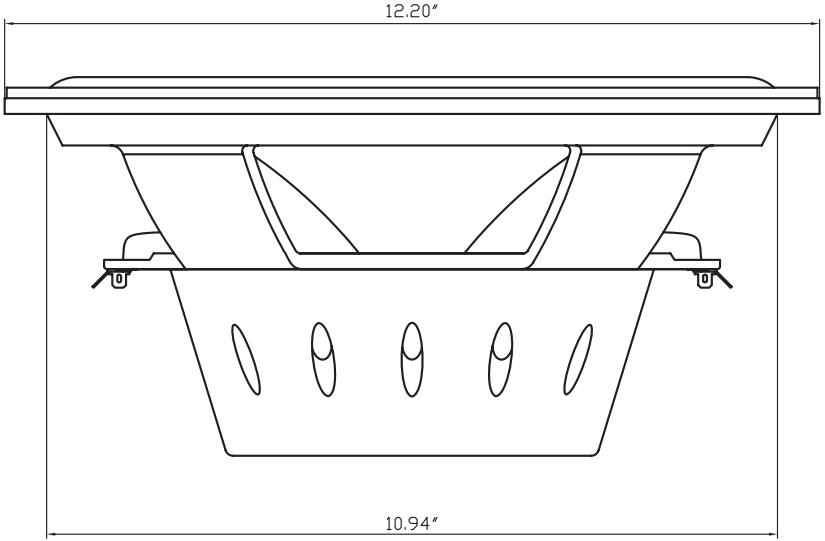
CBW-124 RECOMMENDED SEALED ENCLOSURES

	VOLUME (FT ³)	QTC	TUNING (HZ)
MIN.	1.25	.884	52.5
OPT.	1.50	.785	50.3
MAX.	1.75	.725	49.5

CBW-124 RECOMMENDED PORTED ENCLOSURES

	VOLUME (FT ³)	ROUND PORT	TUNING (HZ)
MIN.	2.25	3" X 12"L	33.3
OPT.	2.50	4" X 12"L	31.1
MAX.	2.75	4" X 14"L	29.3

DIMENSIONS



POWER ACOUSTIK ELECTRONICS®
1550 SOUTH MAPLE AVE.
MONTEBELLO, CA 90640

SPECIFICATIONS & DESIGNS ARE SUBJECT TO CHANGE WITHOUT NOTICE