

FEATURES

- * Digital pulse-width-modulated regulated power supply
- * Mosfet power supply devices
- * Direct coupled output stage
- * Discrete output transistors
- * Low overall negative feedback
- * Bridgeable to mono operation
- * protection circuit-thermal, current,D.C.Mosfet, and overvoltage
- * Soft start delayed turn-on
- * Increased surface area and mass for continuous heat dissipation
- * LED power on indicator

SPECIFICATIONS

OUTPUT POWER:	1X240W To 1X640W(4Ω RMS) 1X360W To 1X960W(2Ω RMS) 1X360W To 1X960W(2Ω RMS)
THD:	<0.1%
FREQUENCY.RESP.	10Hz~180Hz±1dB
S/N RATIO:	≥85dB
INPUT SENSITIVITY:	250MV~3V
BASS BOOST:	12dB
SPEAKER IMPEDANCE:	1~8Ω
POWER FUSE:	
DIMENSION (LxWxH):	371X184X63mm 315X184X63mm 250X184X63mm
ACCESSORY:	SCREW SET & SPARE FUSE

NO:E

Owner's Manual

OD1-3500

OD1-5000

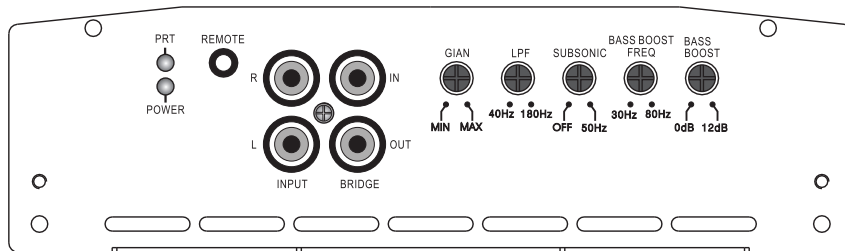
OD1-7500

POWER ACOUSTIK

1 CHANNEL AMPLIFIER

FEATURES & FUNCTIONS

Figure 1



1 Crossover Adjustments--LPF

Permits had jusment of the crossover frequency,by rotating the knob to select any frequency between 40Hz to 250Hz as the crossover point.

2 Input Level Control--LEVEL/GAIN.

The “Level” or “Gain” function can be selected to increase or decrease sound response output.

3 Low Level Input--RCA TYPE TERMINAL

This amplifier is provided with gold plated RCA terminals for LOW LEVEL INPUT to match radios, car stereo and equalizers with line level output. HIGH:High level input.be connected to car stereo with high level output. OUT : The line out use by connecting with another power amplifier.

4 Bass boost Control--Q. BASS/BASS BOOST.

The Bass Boost Control allows you to contour extra bass response into your system, The Bass can be boosted up to +12dB.

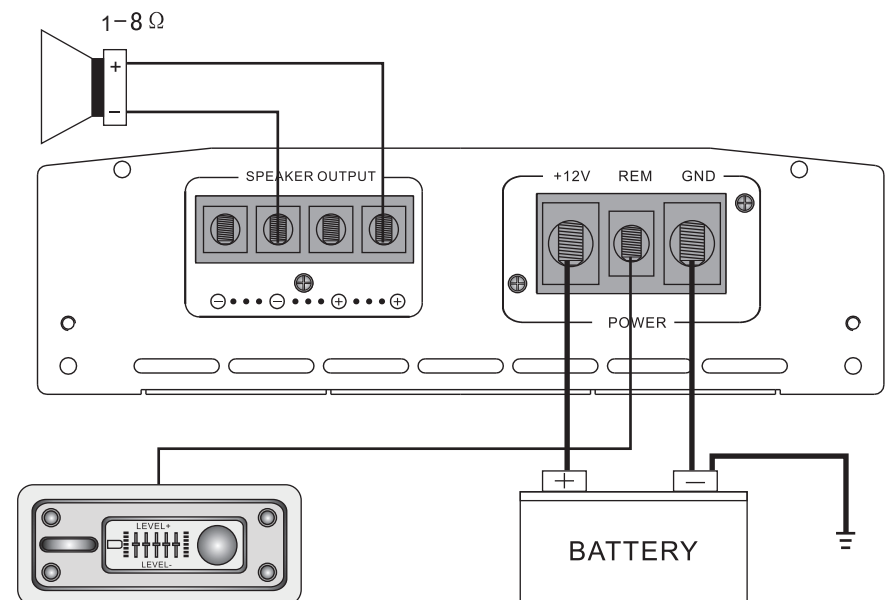
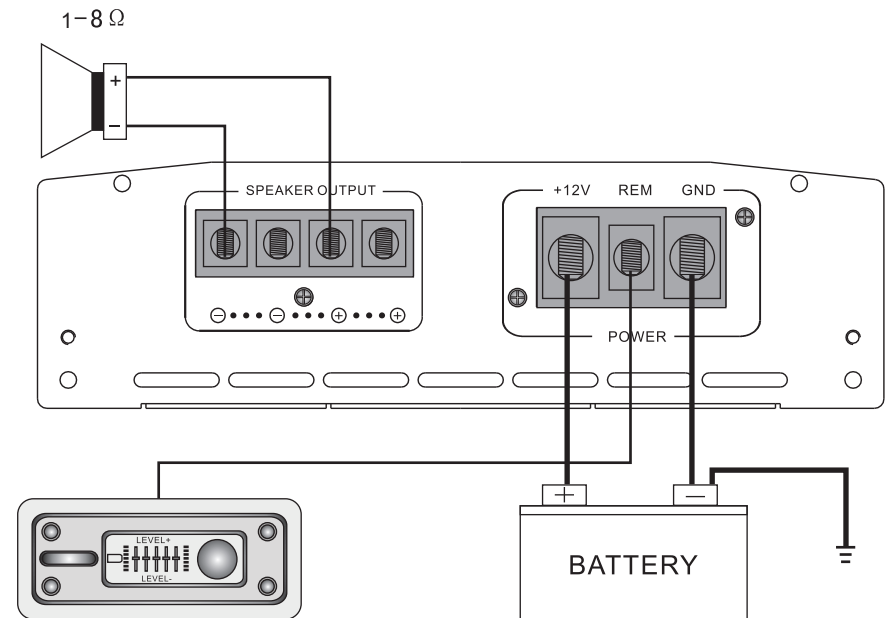
5 Phase Adjustments--PHASE

The “PHASE” function can be changed phase for audio signal.

6 Remote Control--REMOTE

Connect the remote control box can be changed sound response output.

CONNECT ONE SUBWOOFER SYSTEM



OUTPUT CONNECTIONS

Again, high current barrier strip terminals are provided for connection to the loud speaker system.

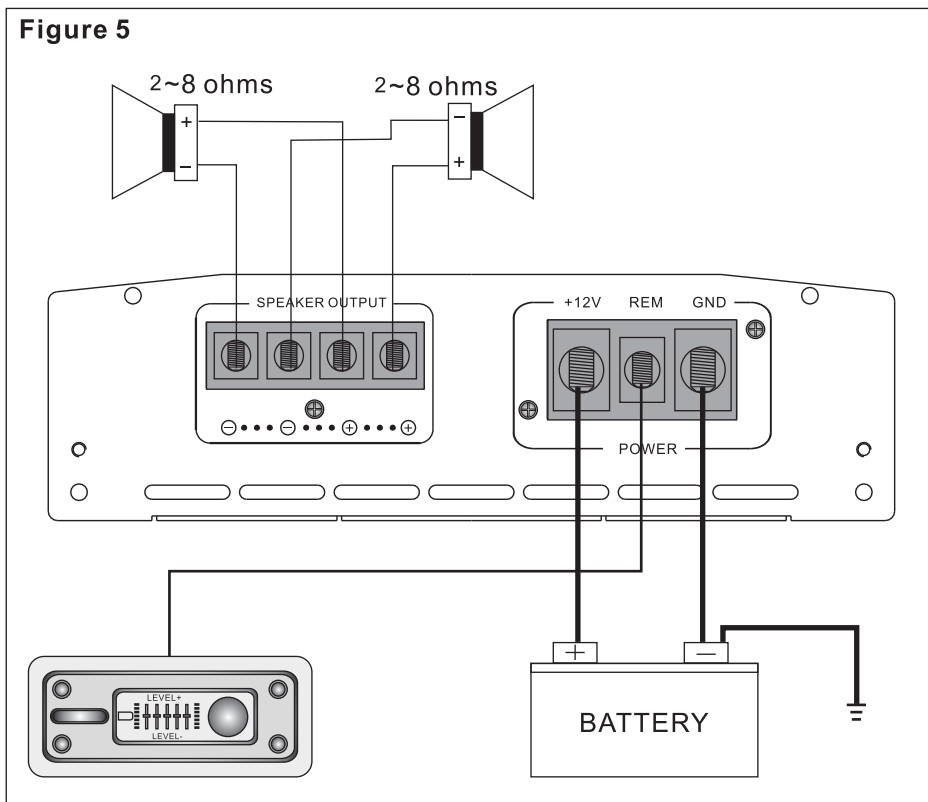
connect the subwoofer speaker+ lead to the + terminal and the subwoofer speaker- lead to the -terminal.

Mono mode is designed for 2-8 ohm loads .If connecting two subwoofer speakers, the unit will not support a 1 ohm load.

CONNECT TWO SUBWOOFER SYSTEM

Connect the two pair of output terminals to Corresponding subwoofer speakers, (Figure 5)

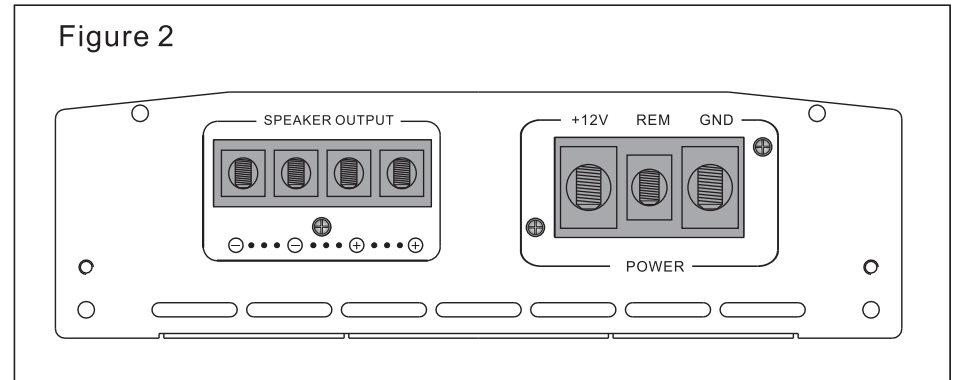
Figure 5



5

FEATURES & FUNCTIONS

Figure 2



7 LED--PROTECTION/POWER

When the unit is protection, the protection LED will light up. Its remote power signal, the power LED will light up indicating power conditions are correct.

8 Speaker Terminals.

The speaker terminals are Gold Plated for high conductivity and minimum impedance loss. Be sure to strip just enough insulation off your speaker wires that will fit under the screw plate to help ensure against speaker wire short circuits.

The unit can support an impedance load as low as 2 -8 ohms load.

If you connect two loads, do not connect 2 ohms load.

9 Power Terminals

B+ / +12V. Connect the +12V pole of power supply directly to the batter(+) position terminal.

GND. Connect the GND pole of power supply directly to the (-) negative ground battery terminal of car chassis.

REM. Connect the "Remote" pole to external switch for positive 12V ON/OFF. This may be connected to the power antenna of turn on lead of the headunit.

10 FUSE

Refer to flank panel text.
(Figure 1 and figure 2 are referred only.)

2

POWER CONNECTIONS

For your convenience, high current barrier strip terminals are provided which allow the use of heavy gauge terminals and wire without splicing.

B+/+12V: Connect to +12v post of battery.

GND: Connect to the chassis ground of auto.

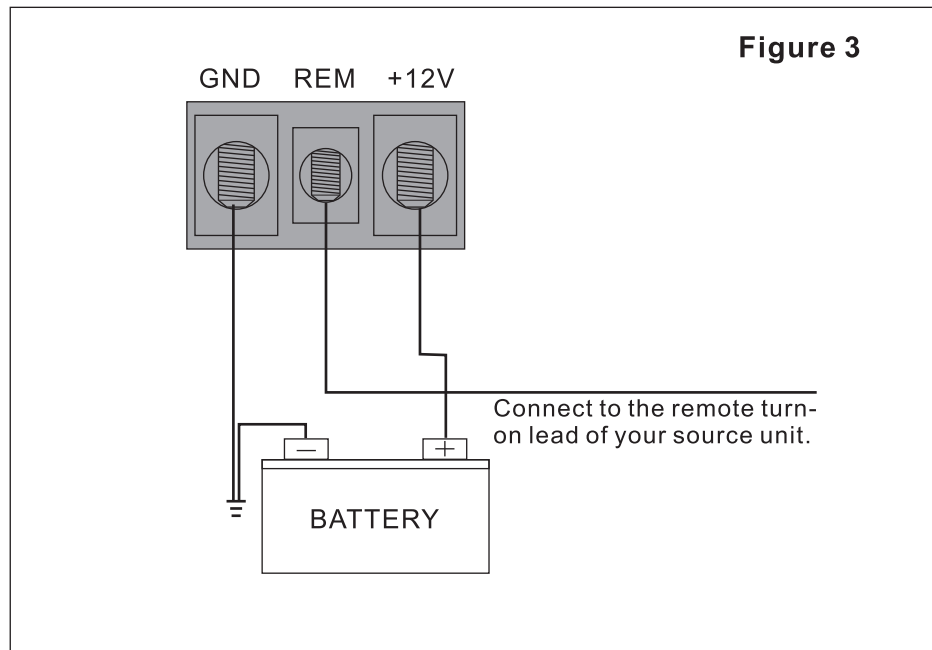
Remote: Connect to the remote turn-on lead of your source unit.

* Improper wiring connections can seriously damage amplifiers, accessories, or speakers, please follow instructions carefully.

* Disconnect the battery positive(+) before making any power connections to the amplifier.

* Make sure all connections are clean and secure, and use grommets when going through the firewall and other metal bodywork.

* Always use the proper size fusing, with a fuse at the battery and the amplifier. (not supplied)



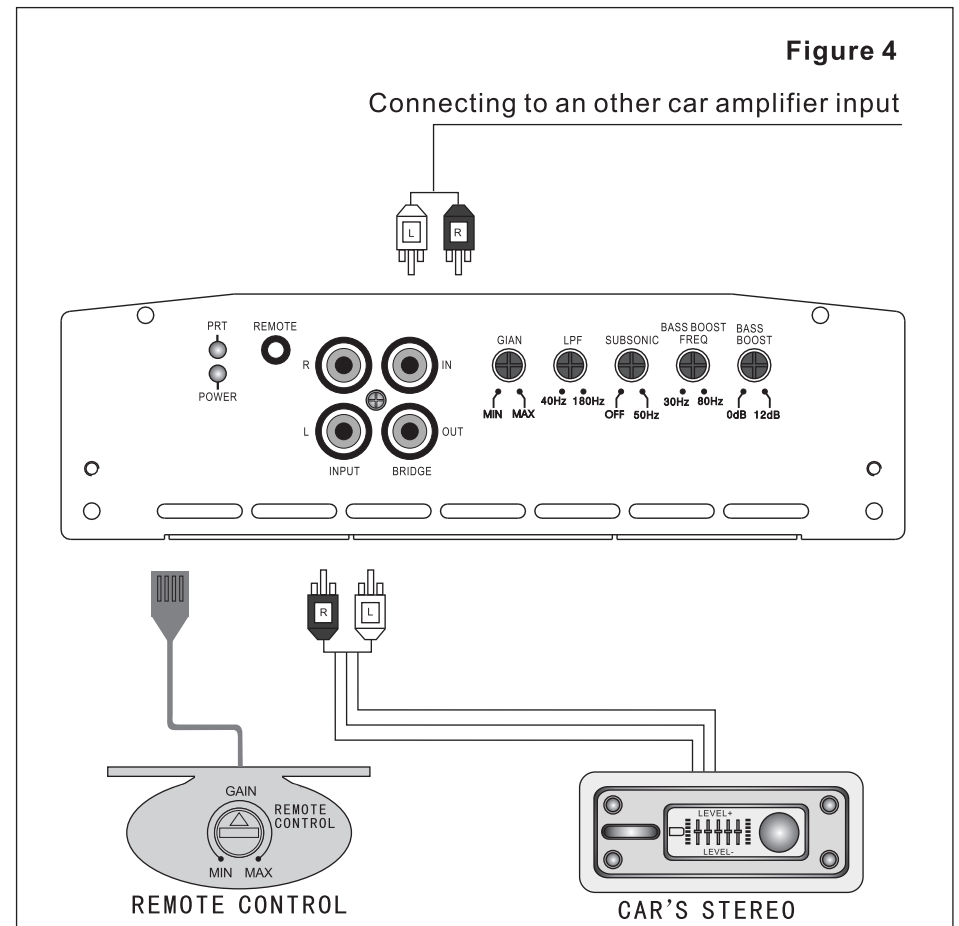
3

INPUT CONNECTIONS

Connect the pre-amp (low-level) outputs from your source unit or crossover to the RCA jacks labeled "input" on the amplifier. Be sure to route all signal cables away from power lines and use high quality RCA cables to insure good signal transfer and to avoid noise from entering the system.

In the stereo mode, (refer to Figure 5) connect the left and right RCA plugs from the source unit to their appropriate input jacks.

In the mono/bridged mode, connection may be made to the right, left or both input jacks.



4