

# powerbass®

X T R E M E



**XL-POD8SR**  
**XL-POD6SR**  
**XL-POD5SR**



## SHORT RANGE POD SPEAKER SYSTEM

## Application Guide

*Please read through this manual to familiarize yourself with your new speakers. Should your PowerBass Xtreme marine speakers ever require service, you will need to have the original dated receipt.*



# powerbass®

X T R E M E

Thank you and Congratulations

Congratulations on your purchase of PowerBass Xtreme speakers. You now own a speaker of uncompromising design and engineering from a factory that truly believes in the relentless pursuit of perfection. Incorporating the highest quality parts and state-of-the-art materials, these speakers display the ultimate balance between high fidelity, performance and long-lasting reliability.



At PowerBass USA, Inc. we are confident you will have many years of outstanding enjoyment from this great speaker investment. For maximum performance we recommend that you have your new PowerBass Xtreme product installed by an Authorized PowerBass Xtreme Dealer.

To learn more about PowerBass, please visit us on the World Wide Web at  
<http://www.powerbassusa.com>

Δ Warning Δ

Continuous exposure to sound pressure levels in excess of 100 dB can cause permanent hearing loss. PowerBass Autosound Speakers are capable of producing sound pressure levels well over 170 dB. Please observe all local sound ordinances while listening to your PowerBass Autosound system. PowerBass USA, Inc. accepts no liability for hearing loss, bodily injury, or property damage due to the result of use or misuse of this product.

## **POWERBASS XTREME SHORT RANGE POD FEATURES**

**UV Stable Injection Molded Plastic Pod:** Molded from marine grade polymer (poly-plastic composite) materials houses the speaker and protects it from the effects of the outdoor environment while providing great looks.

### **Black Chrome Plated Die-Cast Swivel Clamp System**

Solid marine grade Zinc Alloy provides strength and corrosion resistance; accepts bar sizes of 1.5", 1.75" and 2.0" diameter

### **Polypropylene Injected Cone**

Chosen for its strong yet lightweight body this waterproof woofer cone has UV inhibitors to minimize cracking and fading

### **Grill Mounted 25mm SD Mylar Tweeter Design**

Allows for stronger output in both midrange and upper frequency extension

### **Safety Cable**

A braided wire cable provides an extra level of security for the Pod when looped and fastened around the tower bar

## **UNPACKING THE ENCLOSURE**

Every attempt has been made to transport your new PowerBass Marine Pod system safely. Carefully unpack the enclosure and inspect it thoroughly for any damage that may have occurred during shipping. Notify your local PowerBass dealer immediately should you notice any damage prior to installing the unit. Be sure to keep the carton and packing material until your system is operational. The original boxes will do the best job of protecting your speaker system if they need to be transported.

## **INSTALLATION EXPERIENCE**

Installation of PowerBass Xtreme Pods requires experience with a variety of mechanical and electrical procedures. This manual only provides general installation and operating instructions. If you have any reservations about your installation skills or lack the proper tools, please contact your local PowerBass Xtreme dealer for assistance.

## **POD PLACEMENT TIPS AND WIRING RECOMMENDATIONS**

When running the speaker wire through the bar make sure there is a clear run so the wire can enter and exit the tubing. Place the Pod out of the way of any passenger's head to avoid possible injury.

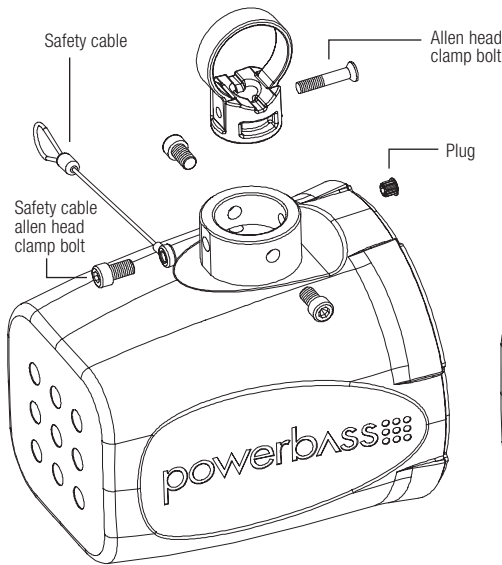


Fig.1

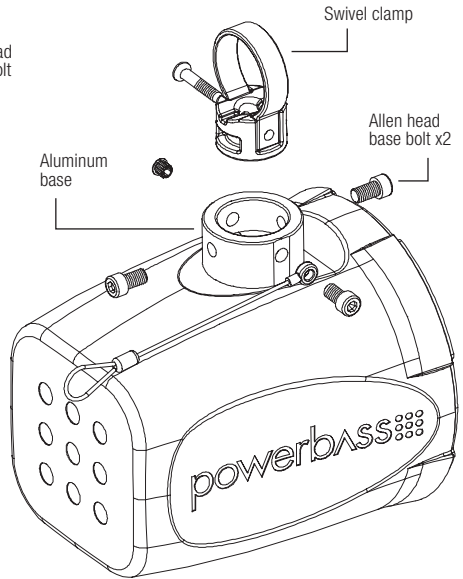


Fig.2

## MOUNTING, WIRING AND CONNECTIONS

PowerBass highly recommends that a professionally trained installer mount and wire the Pod. This application guide explains how to install PowerBass Pods in a general sense, it may not show the exact installation method for your particular situation. If you feel unsure about personally installing this Pod speaker system, don't attempt the installation yourself.

**CAUTION:** Failure to properly mount the Pod could result in the following:

- A) The reliability and performance will suffer due to the movement of the Pod caused by vibration,
- B) A serious safety hazard can result if the Pod is not securely mounted and falls from the tower.

**Read these instructions thoroughly before starting installation. For easier assembly, we suggest you run all wires prior to mounting your Pod speakers.**

1. Determine where the Pod will be placed on the tower bar and at what angle the speaker will be mounted. Mark the bar with a felt-tip pen. This will be where the speaker wire comes through the bar and to the Pod. **NOTE: This first step is VERY important. Make sure of the exact location and orientation you want BEFORE drilling any holes.**
2. Drill a 0.25 to 0.5-inch hole for the speaker wire on the mark made on the bar. De-burr the hole to keep from damaging the wire's insulation and causing a short. It is a good idea to treat the hole to inhibit corrosion.
3. Remove the Allen Screws securing the Clamp to the Aluminum Base. (Fig. 1, Fig. 2)
4. Run minimum of 16-gauge speaker wire through the tower bar and leave 8" to 12" of the wire hanging out of the hole you previously drilled. Run the speaker wire through the hole in the insert.
5. Connect the speaker wire coming out of the bar to the speaker wire coming out of the Pod. Note the polarity (the black-stripe wire from the Pod is negative –) See Fig. 3
6. Place the clamp over the bar and screw in the Allen Head bolt at first by hand. Next using the supplied Allen wrench tighten the bolt. When fully tightened the clamp should slide into the base mounted to the Pod. (Fig. 1)
7. Hold the Pod and place the Aluminum Base flush with the bar. Be sure to push any excess speaker wire back into the bar. Make sure the speaker hole from the Aluminum Base of the Pod is aligned with the hole in the bar—use caution not to pinch the wire. Tighten 2 allen head bolts to secure. (Fig. 1, Fig. 2)
8. Connect the other end of the speaker wire to the amplifier following the instructions supplied with the amplifier. Be sure to observe proper polarity of the speaker wire when connecting to the amplifier.
9. To adjust the position, loosen the Allen Head bolts on the base and turn the pod to the desired position then tighten the Allen Head bolts to secure in place.
10. Depending on the position of your clamp installation, use 2 allen head base bolts on opposing sides to secure the swivel clamp to the POD. Use a 3rd allen head bolt to secure the safety cable. (Fig 4) For the unused base hole use the supplied plug to prevent moisture and water to enter the clamp assembly. (Fig1, Fig2)

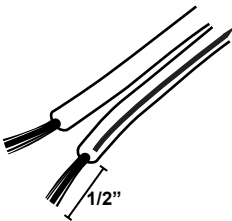


Fig.3

The speaker wire from the Pod with black is the negative lead

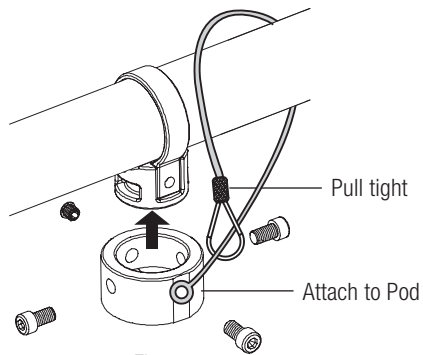


Fig.4

## SOUND CHECK

### RECOMMENDED POWER

The XL-POD8SR is designed to handle up to 100 watts RMS (continuous) and 200 watts maximum (peak) of input power.

The XL-POD6SR is designed to handle up to 60 watts RMS (continuous) and 120 watts maximum (peak) of input power.

The XL-POD5SR is designed to handle up to 50 watts RMS (continuous) and 100 watts maximum (peak) of input power.

Therefore an outboard amplifier optimized at 4-ohms will be necessary to drive this system. You will want to use an amplifier powerful enough to provide listening comfort. Generally speaking, an amplifier with the same or slightly higher power rating than the RMS power handling should be selected.

### CROSSOVER SETTINGS

The Pod system is designed for full range listening enjoyment. If your amplifier includes an electric (active) crossover, experiment using the settings in High Pass or the Full position. Optimum adjustment can be achieved after listening to your favorite music and varying the crossover frequency.

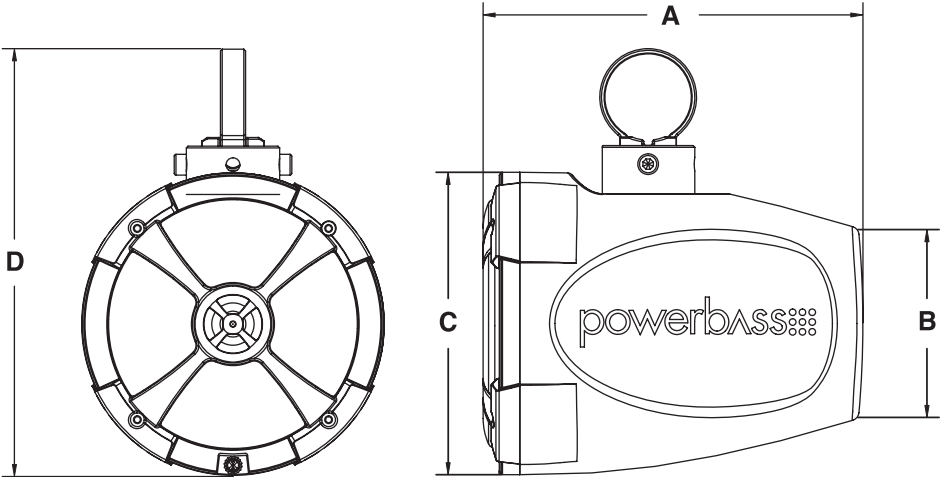
### BREAK IN PERIOD

To get the most from your speaker we recommend a "break-in" period of at least 40 hours at no more than 1/3 of maximum volume. During this time the cone and spider assembly will gradually break in resulting in greater performance and more listening enjoyment.

**CAUTION:** Damage to the woofers can occur when an amplifier, regardless of its wattage, is made to play at higher listening levels than its power can clearly produce (usually beyond the "1 to 2 o'clock" position on the amplifier gain). This results in very high levels of audible distortion. Contrary to popular belief, a speaker is more likely to be damaged by trying to get too much volume from a low-powered amp than from a high-powered amp.



## ENCLOSURE DIMENSIONS AND SPECIFICATIONS



Specifications	XL-POD8SR	XL-POD6SR	XL-POD5SR
Woofer Size	8.0"	6.5"	5.25"
Power RMS/Peak	100W/200W	60W/120W	50W/100W
Frequency Response	45Hz - 20kHz	60Hz - 20kHz	70Hz-20kHz
Nominal Impedance	4-ohm	4-ohm	4-ohm
Sensitivity (1W/1M)	91dB	90dB	89dB
Hang Weight	9 lbs (4.11 kg)	4.6 lbs (2.11 kg)	4.4 lbs (2.01 kg)

Dimensions	A	B	C	D
XL-POD8SR	11.37" (288.7mm)	5.75" (146.1mm)	8.70" (221mm)	11.94" (303.4mm)
XL-POD6SR	8.65" (219.7mm)	4.27" (108.1mm)	6.88" (175mm)	9.96" (253mm)
XL-POD5SR	7.95" (202mm)	4.65" (118mm)	6.45" (164mm)	9.14" (232mm)

## CARE AND CLEANING

The enclosure is constructed of high impact molded plastic and should be cleaned after use with soapy water and a damp cloth. The mounting hardware can be cleaned the same way.

Do not use any cleaners or solvents on the enclosure or grills, otherwise the UV inhibitors may be affected and/or the plastics may discolor.



**Product Disposal** – Certain international, national and/or local laws and/or regulations may apply regarding the disposal of this product. For further detailed information, please contact the retailer where you purchased this product or the PowerBass Importer/Distributor in your country.

# POWERBASS XTREME SPEAKER LIMITED WARRANTY POLICY

PowerBass USA, Inc. offers limited warranty on PowerBass products under normal use on the following terms:

**PowerBass Xtreme Speakers are to be free of defects in material and workmanship for a period of one (1) year. The warranty is extended to three (3) years for parts and labor, if an Authorized PowerBass Xtreme Dealer completes the installation.**

This warranty applies only to PowerBass products sold to consumers by Authorized PowerBass Dealers in the United States of America. Products purchased by consumers from a PowerBass dealer in another country are covered only by that country's Distributor and not by PowerBass USA.

This warranty covers only the original purchaser of PowerBass product. In order to receive service, the purchaser must provide PowerBass with a valid purchase receipt from an authorized reseller stating the consumer name, dealer, product and date of purchase.

Products found to be defective during the warranty period will be repaired or replaced (with a product deemed to be equivalent) at PowerBass's discretion and will not be liable for incidental or consequential damages. PowerBass will not warranty this product under the following situations:

- **Speakers received with bent frames or water damage**
- **Abuse such as holes in the cone, surround or ripped spider**
- **Voice coil damage due to amplifier clipping or distortion**
- **Product that has not been installed according to this owners manual**

Any implied warranties including warranties of fitness for use and merchantability are limited in duration to the period of the express warranty set forth above. Some states do not allow limitations on the length of an implied warranty, so this limitation may not apply. No person is authorized to assume for PowerBass any other liability in connection with the sale of this product.

**Please call (909) 923-3868 for PowerBass Customer Service.** You must obtain an RA# (Return Authorization Number) to return any product to PowerBass. **The RA number must be prominently marked on the outside of the shipping carton or the delivery will be refused.** Please pack your return carefully; we are not responsible for items damaged in shipping. Return the defective product along with a copy of the original dated retail sales receipt, plus \$12.00 for handling and diagnostic evaluation to:

**PowerBass USA, Inc.,  
Attn: Returns (RA# \_\_\_\_\_ )  
2133 S. Green Privado, Ontario, CA 91761**

Residents of HI, AK and US territories will be charged for return shipping. All inquires regarding service and warranty should be sent to the above address.

**Removed or altered serial numbers will void this warranty**



PowerBass Xtreme (PBX) – A division of PowerBass USA, Inc.

2133 S. Green Privado – Ontario, CA 91761

Tel. (909) 923-3868 – Fax (909) 923-8048

**[www.powerbassusa.com](http://www.powerbassusa.com)**