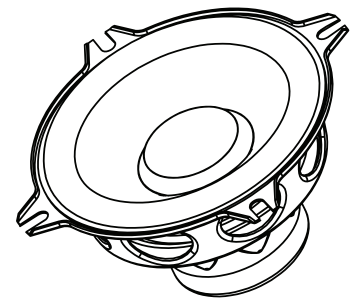




## CCWR254

2.5" Wide Range Speaker Installation Guide



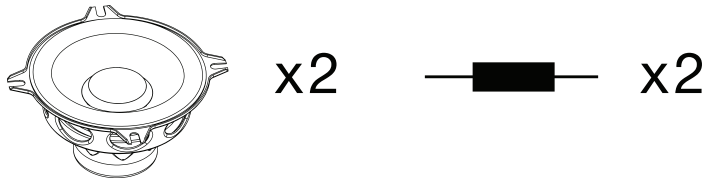
## MIDRANGE: CCWR254

Thank you for choosing Morel for your automotive sound system.

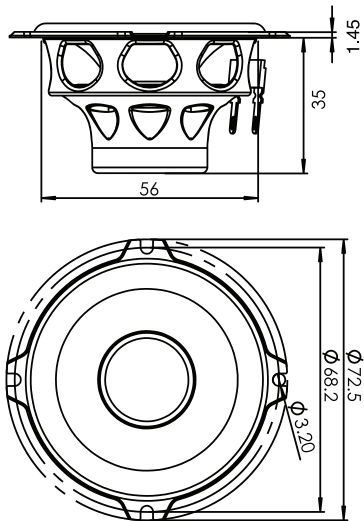
The CCWR 254 is a 2.5" wide-range speaker designed to replace the factory 3.5" and smaller wide-range drivers currently used by multiple auto manufacturers. The CCWR 254 uses a copper sleeved, dual neodymium motor to enable a wide frequency range of 300Hz-19kHz, allowing it to be used with or without a tweeter in your system.

The supplied capacitors are used to filter out the low frequencies that can damage the speaker and should be connected inline between the positive speaker wire and the positive terminal of the CCWR 254 speakers.

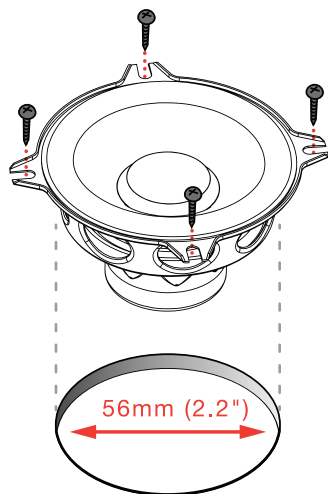
### PACKAGE CONTENT



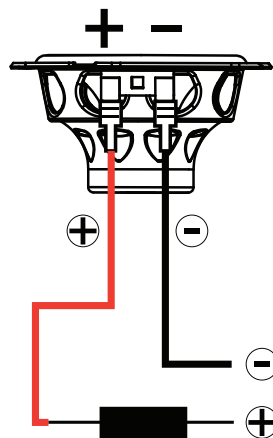
### GENERAL DIMENSIONS



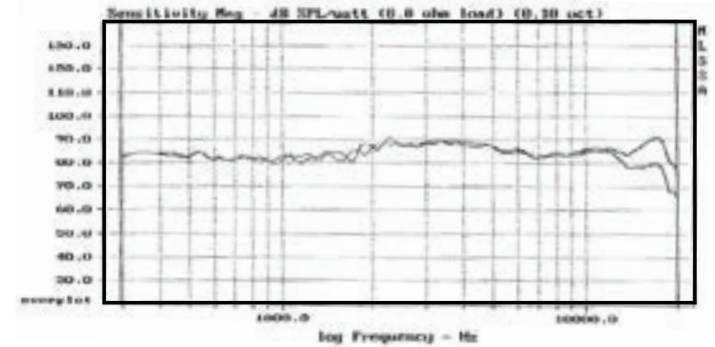
### MOUNTING



### CONNECTION



## SPECIFICATIONS



### General Data

Overall Dimensions	DxH	98.2(2.67") x 38.5(1.49")
Nominal Power Handling (DIN)	P	40w
Transient Power 10ms		80w
Sensitivity 2.83V/1M		84.5
Usable Frequency Range		300Hz - 19KHz
Cone Material		Coated paper
Net Weight	Kg	0.087

### Electrical Data

Nominal Impedance		4Ω
DC Resistance	Re	3.5Ω
Voice Coil Inductance	LBM	0.20mH @ 1KHz

### Voice Coil and Magnet Parameters

Voice Coil Diameter	DIA	20mm
Voice Coil Height		7mm
HE Magnetic Gap Height	HE	3mm
Full Copper sleeve		
Voice Coil Former		Aluminium
Voice Coil Wire		Copper
Number Of Layers		2
Magnet System Type		Double Neodymium
B Flux Density	B	2.36 T

### T-S Parameters

Suspension Compliance	Cms	1 mm/N
Mechanical Q Factor	Qms	2.53
Electrical Q Factor	Qes	0.87
Total Q Factor	Qts	0.65
Mechanical Resistance	Rms	1.50
Moving Mass	Mms	1.8
Eq. Cas Air Load (liters)	VAS	058 Ltr
Resonant Frequency	Fs	112Hz
Effective Piston Area	SD	20mm

