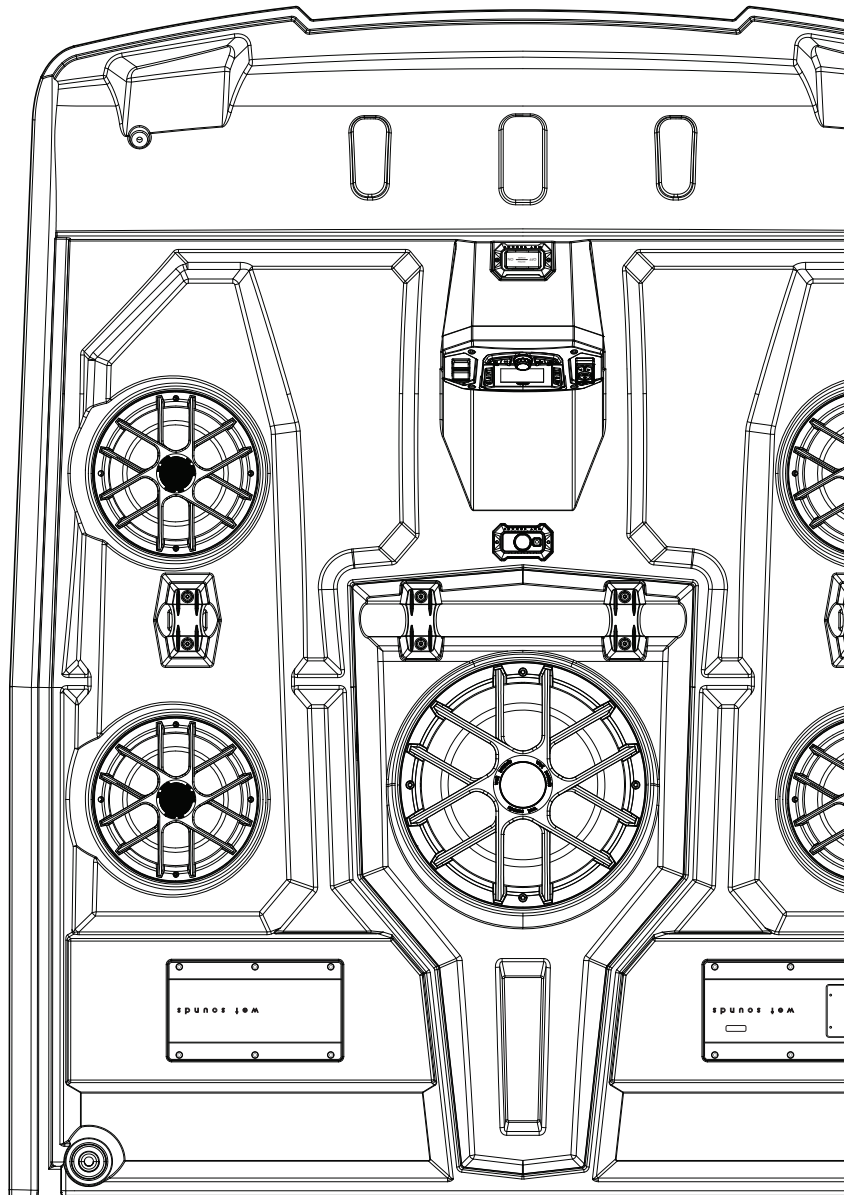




AR-5 Ranger Crew

5 Speaker Audio Roof with Lighting

Installation Guide



Before you drop in the AR-5 Ranger Crew

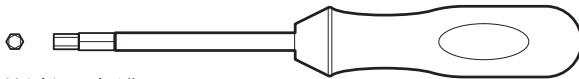
Take a few minutes to review the AR-5 installation guide

The AR-5 Ranger Crew is designed as a quick plug and play install. To ensure proper installation and your safety, please follow the tips mentioned below and the installation instructions provided.

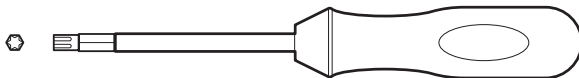
Installation prep:

- A large flat open work area is recommended during installation.
- Make sure the vehicle is parked and secured in place.
- Disconnect the battery before working on the vehicle.
- Have a minimum of 4-6 people to help lift the roof.

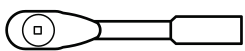
Tools needed on hand:



H4 (4mm) Allen



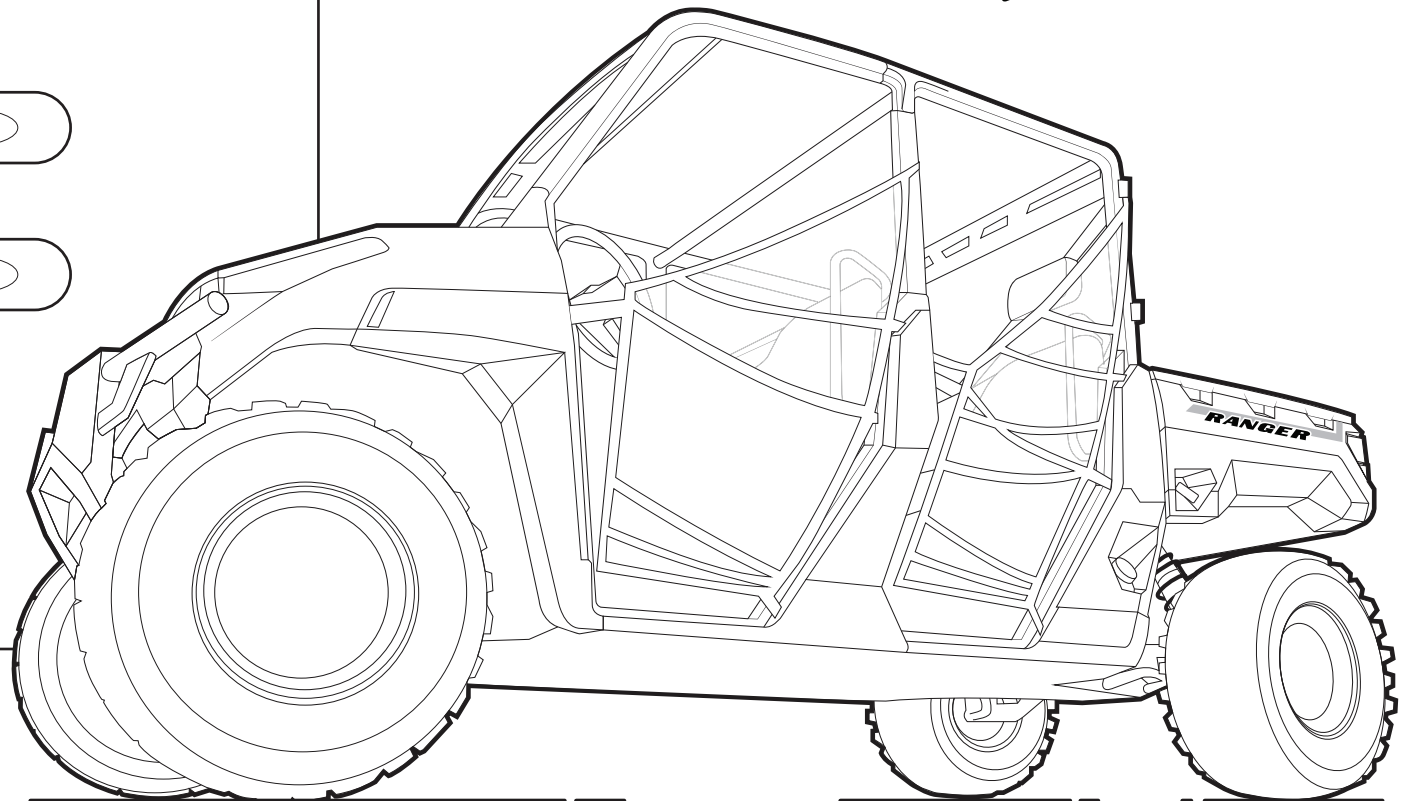
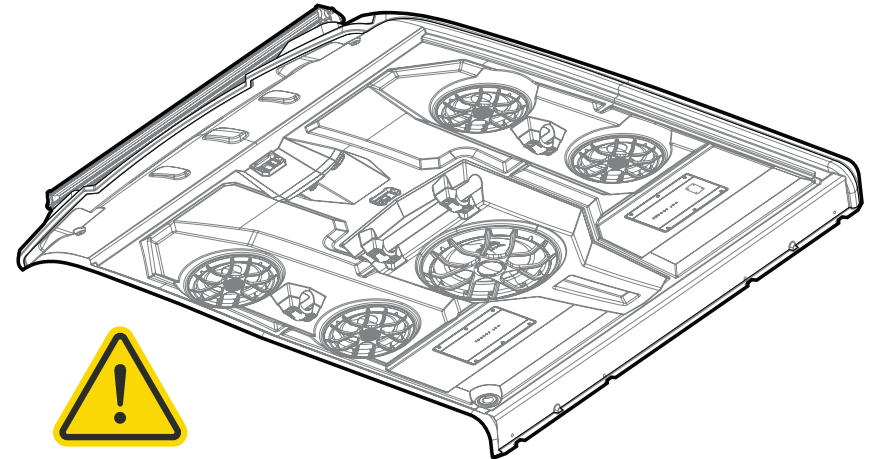
T35 Torx

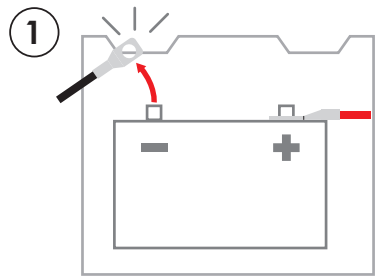


Ratchet

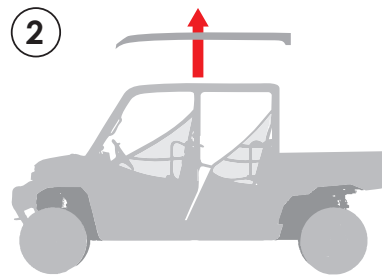


17mm Socket

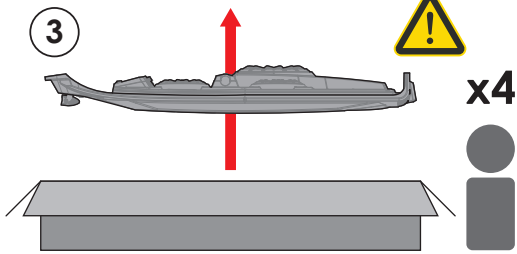




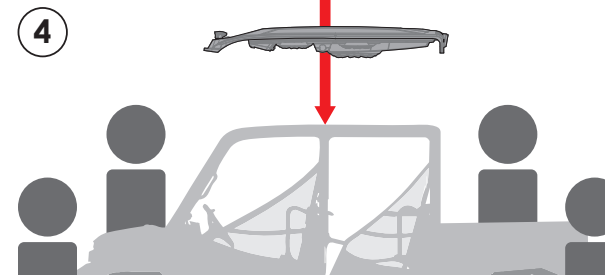
For safety reasons, we recommend disconnecting the battery before starting the installation.



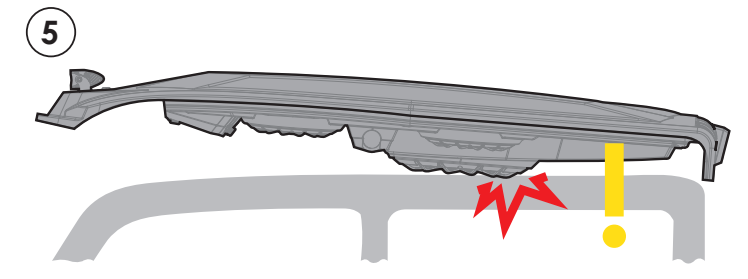
Remove any existing roof or roof rail accessories from the vehicle.



Lift the AR-5 Ranger Crew out of the box using four to six people.



Carry the roof carefully to the vehicle and place it on the RANGER® roof rails.



Be careful not to bump the speaker grilles while lifting the roof over the rails.

Included Hardware:

(4) Zip Ties



(4) Roof Clamps



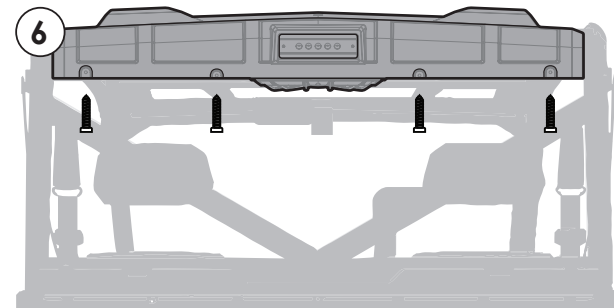
(6) Short M6 Torx Screw



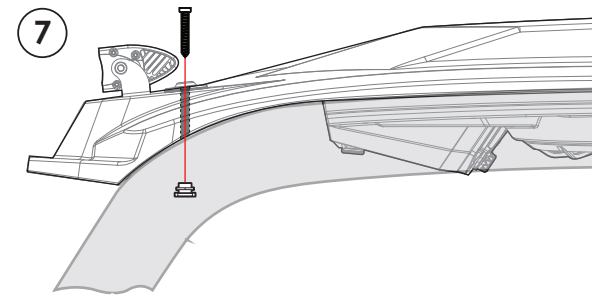
(8) M5 Button Head Screw



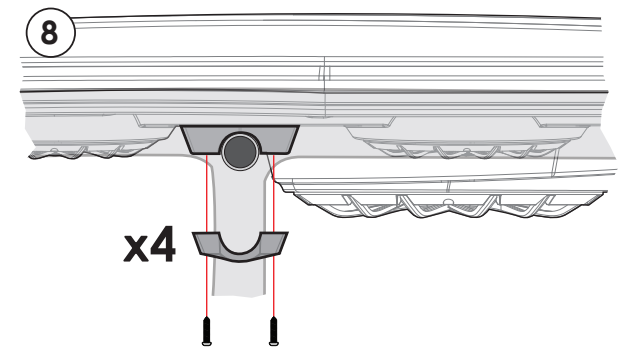
(2) M6 Flange Locknut



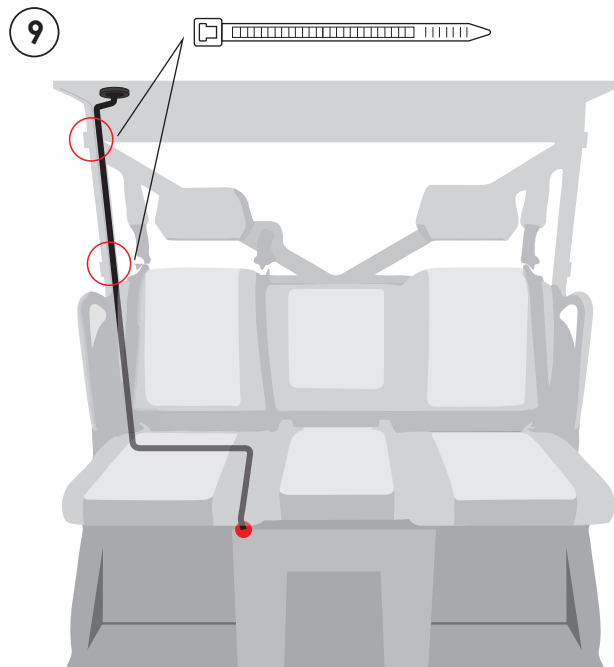
Fasten the back of the roof with the (4) M6 torx screws provided.



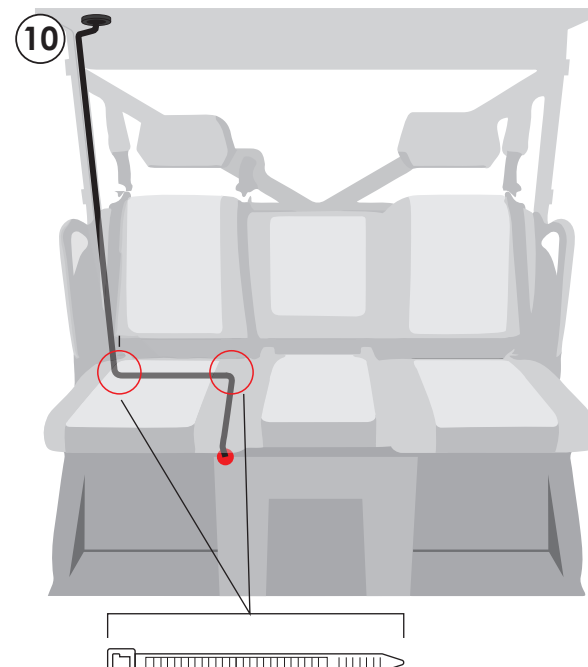
Use (2) M6 torx screws and (2) M6 flange locknuts to fasten the front of the roof. Do not overtighten the screws.



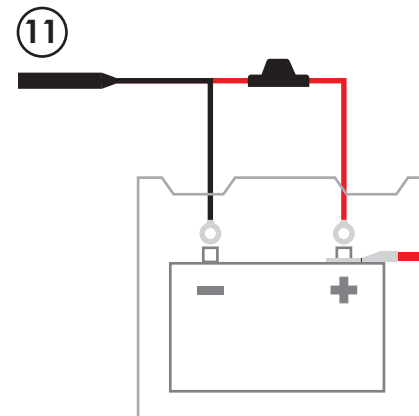
Attach the (4) center clamps with the (8) M5 screws provided to secure the roof to the center roof rail.



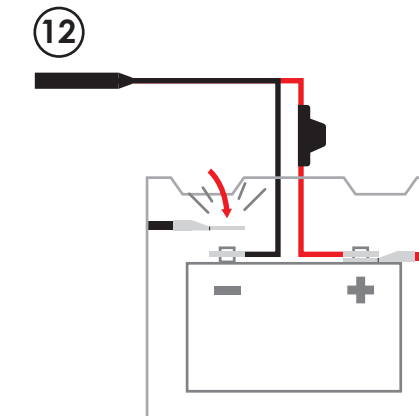
Secure the wiring harness to the post by using (2) zip ties near the locations marked above.



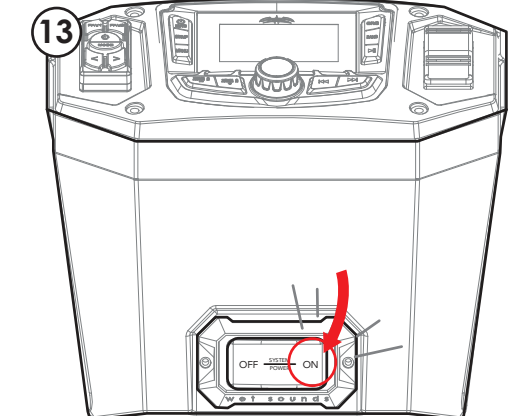
Wire the harness towards the battery and secure it to avoid it touching hot or moving parts. Extra (2) zip ties are included if needed.



Connect the red wire to the positive battery terminal. Followed by the black wire to the negative terminal.



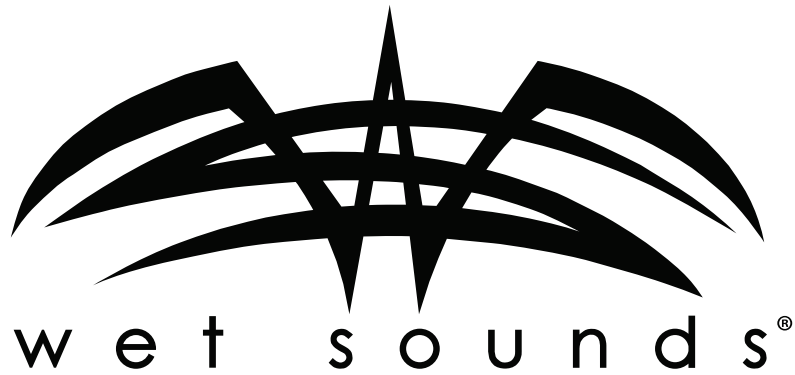
Fully reconnect the battery after the roof harness has been connected.



Flip the system power on and enjoy Wet Sounds high performance audio.

Thank you for choosing this Wet Sounds™ product!

If you have any questions or concerns, please contact a certified Wet Sounds dealer. You may also contact Wet Sounds technical support by dialing 1-877-WET-SPKR (1-877-938-7757).



Wet Sounds, Inc.
www.wetsounds.com
877-938-7757

2975 Louise Street
Rosenberg, Texas 77471 USA

Wet Sounds, Inc. is not affiliated with or in any way associated with Polaris Industries or any other person, entity, product or organization. Reference in this document to any specific commercial product, process, or service, or the use of any trade, firm or corporation name is for the information and convenience of the public, and does not constitute endorsement or recommendation by Wet Sounds, Inc.

© 2022 Wet Sounds, Inc. All Rights Reserved. WET SOUNDS and associated logos where applicable are registered trademarks of Wet Sounds Corporation in the United States and/or other countries. All other trademarks are the property of their respective owners.

AR-5 Ranger Crew

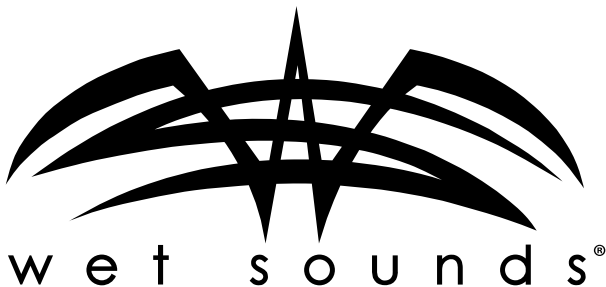


AR-5 Ranger Crew

5 Speaker Audio Roof with Lighting

Owner's Manual





Congratulations!

Thank you for choosing this Wet Sounds™ product!

The AR-5 Ranger Crew 5 Speaker Audio Roof with Lighting is the latest innovation from the audiophiles at Wet Sounds. The customized solution fits Polaris® RANGER® Crew Models 2014 and up. The AR-5 Ranger Crew is designed and built for quick and simple installation and is constructed to withstand the environment and weather the elements. At the core of the AR-5 Ranger Crew is a 600-watt, 5 speaker system, including a 12" subwoofer, integrated RGB speaker lighting, plus front, rear and cabin LED lighting. It's everything you need to upgrade your Polaris® RANGER® audio experience! The system is also expandable to add a 2-channel amplifier, perfect for Wet Sounds Tower Speakers.

Please take a moment to read the instruction manual before starting your installation. The guide will explain the benefits of the technologies developed by Wet Sounds and will help you understand the correct installation methods and use of this product. If you have any questions or concerns, please contact a certified Wet Sounds dealer. You may also contact Wet Sounds technical support by dialing 1-877-WET-SPKR (1-877-938-7757).

Table of Contents

Please take a moment to look over this instruction manual before enjoying the product.

Feature List	3
Component List	3
Installation Note	3
Component Map	4
Power Switch	5
WS-MC-2 Source Unit	6
Light Bar Switch	10
LED Cabin Light	10
SSX-RGB-RS	11
Additional Amplifier	12
Fuse Box	13
Warranty	14

Feature List

- Fits Polaris Ranger Crew Models 2014 & UP
- Designed for a quick and simple installation
- Constructed to withstand the environments
- 600 watt 5 speaker system including 12" subwoofer
- Integrated RGB speaker lighting
- Front, rear and cabin LED lighting
- System expandability to add a 2CH amplifier for Wet Sound tower speakers

Component List

Reference this component list to identify all the marked components in the image to the right.

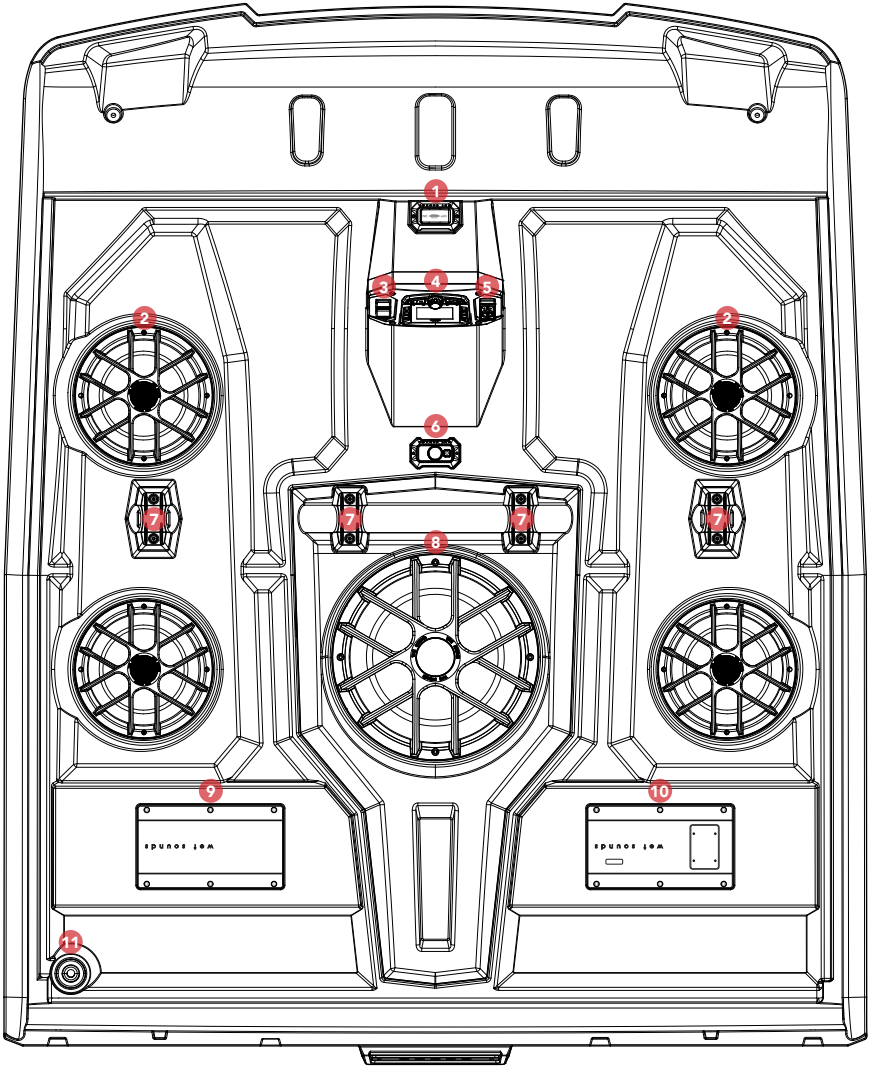
- | | |
|------------------------|------------------------------|
| 1. Master Power Switch | 8. 12" Subwoofer |
| 2. 8" Coaxial Speaker | 9. Expandable Amplifier Slot |
| 3. Light Bar Switch | 10. AR-5 Amplifier |
| 4. WS-MC-2 | 11. Wire Harness |
| 5. WWX-RGB-RS | 12. 40" Front Light Bar |
| 6. Dome Light | 13. 8" Cargo Light Bar |
| 7. Reinforced Brackets | |

Installation Note

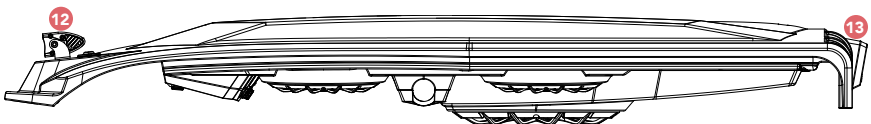
Reference the installation guide for instruction on mounting and wiring the AR-5 Ranger Crew. Box content and recommended tools are listed in the installation guide as well.

Component Map

Bottom View



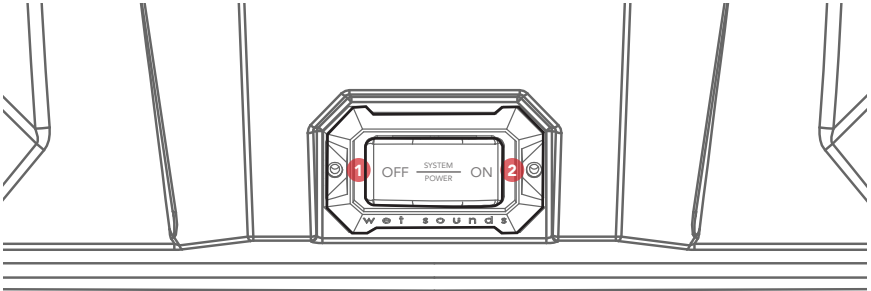
Side View



Power Switch

Function:

The main power switch can provide power even when the vehicle is off. Switch it on to power all AR-5 ranger crew accessories.



1. Power Off: Turns the power off for AR-5 accessories.

2. Power On: Turns the power on for AR-5 accessories.

The AR-5 roof is directly connected to the vehicle's battery. Some components can be used while the AR-5 Ranger Crew main power switch is off. Long continues use while the vehicle is off may drain the battery.

When the power switch is on, power is provided to the roof components listed:

- Source unit / Speakers
- RGB switch / Speaker lighting
- Front light bar
- Cargo light bar
- Dome light

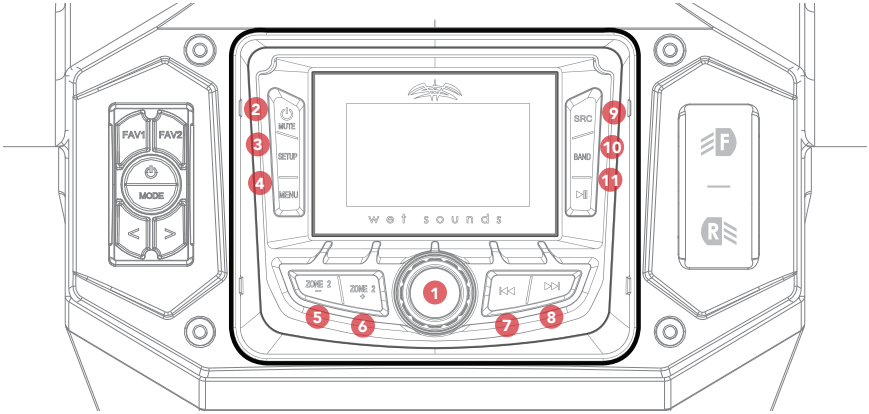
When the power switch is off, the following roof components are still usable:

- Front light bar
- Cargo light bar
- Dome light

WS-MC-2 Source Unit

Function:

The AR-5 Ranger Crew roof comes preinstalled with Wet Sounds WS-MC-2 source unit. The WS-MC-2 provides multiple functions as listed below.



- 1. Main Control Knob (MCK):** This allows adjustment of main volume, as well as making selections when the SETUP and MENU features are being used. Rotate the MCK to highlight a feature, then depress the MCK to select the highlighted feature.
- 2. Power/Mute:** Press and hold this button for power On/Off. Short press this button to mute/unmute the volume of all zones. The MC-2 will confirm the volume is muted in the display.
- 3. Setup:** Allows access to controls that affect all functions of the MC-2. Rotate the MCK until the desired function is highlighted, then press the MCK to select.
- 4. Menu:** Allows access to functions that are different on each source.
- 5. Zone 2 -:** Decrease the output sent to the subwoofer.
- 6. Zone 2 +:** Increase the output sent to the subwoofer. **Note:** The main volume control will still override final output of front, rear & zone 2 outputs.
- 7. Track Back/Tuner Seek Down:** In Bluetooth® or Pandora mode, this will go back to the previous track. In Radio mode, this will seek out the strongest station in decreasing frequency order.
- 8. Track Forward/Tuner Seek Up:** In Bluetooth® or Pandora mode, this will go forward to the next track. In Radio mode, this will seek out the strongest station in decreasing frequency order.
- 9. Source (SRC):** Allows access to five different sources.
- 10. Band:** This enables changing the tuner from FM1/FM2/AM/WB modes.
- 11. Play/Pause:** This is active when using the Bluetooth streaming or Pandora sources. Press once for pause, once again for play.

Setup Menu

Allows access to controls that affect all functions of the MC-2. Rotate the MCK until the desired function is highlighted, then depress the MCK for access. The functions available are:

Audio

Allows access to the following audio adjustments:

Balance/Fader: Adjusting balance will pan the audio on the AR-5 roof speakers from left to right. Fader pans the audio between the AR-5 and any auxiliary speakers connected. Rotate the MCK to highlight the desired function, depress the MCK, then rotate the MCK to adjust the function.

Equalization: The MC-2 has 7 different factory equalization settings for the 7 band equalizer. Also available is custom setting, allowing the user to set their own equalization curve. Rotate and depress the MCK to select one of 7 the bands of equalization, rotate the MCK to adjust.

Crossover: This setting is already optimized for the AR-5 Ranger Crew roof. Do not adjust this setting.

Source Gain: Often times the output of different sources varies widely, resulting in an abrupt volume change when switching from one source to another. This setting will compensate for that variance by allowing adjustment of the output of each source input individually with a range of -3dB to +3dB.

Internal Amplifier: Keep this setting off for greater efficiency.

Zone 2: This changes the label of the zone 2 output to either Full Range or Subwoofer. **Note:** This only changes the label displayed on the MC-2 Display while adjusting zone 2.

Tuner Region

The MC-2 is defaulted to receive broadcasts in the USA region, but Russia, Latin America, Asia, Japan, Middle East, Australia & Europe regions are also available through this setting.

Software

Allows access to the software menu of the MC-2:

Version: Displays what version of the operating software is currently running on the MC-2.

Update: This option is used to update the operating system on the MC-2 via USB. For detailed Software updating instructions, please visit www.wetsounds.com/downloads.

Bluetooth®

Allows you to change the MC-2's Bluetooth® name.

Day/Night Mode

Allows the ability to scroll through the display options of Day (white screen/black characters), Night (black screen/white characters), or Auto. **Note:** Auto mode is currently unavailable on the AR-5 Ranger Crew.

Factory Default (Reset)

Factory reset the audio, system, or SiriusXM settings by doing the following:

1. Use the MCK to select which settings to reset.
2. The source unit will ask if you want to proceed with the reset. Select Yes.
3. The Radio will turn off. After 30 seconds turn the radio back on and test.

Source (SRC)

Allows access to five different sources. **Note:** Some source options are not available while on the AR-5 Ranger Crew roof.

Radio Operation

1. Press SRC, then select the symbol for radio.
2. To select between FM1/FM2/AM/Weather band, press the band button (#10), or select in the MENU.
3. Short press the tuner seek up/down buttons (#7/#8) to automatically seek the next strongest station either up or down.
4. Long press the same buttons to manually tune either up or down.

Source Features: Press MENU while in **Radio Operation** to select between the following features:

- Presets: Press Preset to display what stations are set, then rotate the MCK to highlight a selection, then press the MCK to select that station.
- Add Presets: Allows the manual addition of station presets.
- Band: Choose from FM1 (6 presets); FM2 (6 Presets); AM (6 Presets); and Weather Band (6 Presets)
- Auto Store: Will automatically store presets into the band currently being used.
- Local: Select On/Off to enable the MC-2 to narrow tuning to local stations only.
- RBDS: Select On/Off to enable or disable the RBDS. **Note:** Not all FM radio stations support RBDS, so availability of this feature may be limited.

Bluetooth® Operation

1. Press SRC, then select the Bluetooth® symbol to access the Bluetooth® streaming input.
2. Connect a Bluetooth® compatible device to the MC-2, make sure no other devices are paired to the MC-2, then enable Bluetooth® on the device.
3. Search on the device's Bluetooth® menu for "WETSOUNDSMC2" and connect with it. The MC-2 will confirm connection on the display.
4. Play/pause(#11) and forward/back track (#7/#8) will operate when in Bluetooth® mode. Album art is available for display on compatible devices.

Source Features: Press MENU while in **Bluetooth® Operation** to select the following features:

- **Browser:** Press this to search for Playlists, Artists, Albums, Genres, Songs, Composers, Audio Books, or Podcasts.
- **Repeat:** Choose between repeating one selection, or all selections available.
- **Shuffle:** Choose between On/Off to enable random order play, or all selections available.

Pandora Operation

This feature allows control of the Pandora application from the MC-2 directly.

1. The Pandora app will need to be started on the device.
2. Press SRC and select the Pandora on the MC-2.
3. Play/pause (#11) and track forward/back (#7/#8) will operate when in Pandora mode. Album art is available for display on compatible tracks.

Source Features: Press MENU while in **Pandora Operation** to select the following features:

- **Stations:** Select this to display the stations that have been created on the Pandora account linked to the device.
- **Bookmark and Stations Manage** allow the ability to customize Pandora settings from the MC-2.

Unavailable Source Operations

The WS-MC-2 is a preinstalled product for the AR-5 Ranger Crew and does not include some source options. The following sources do not have any operational functions:

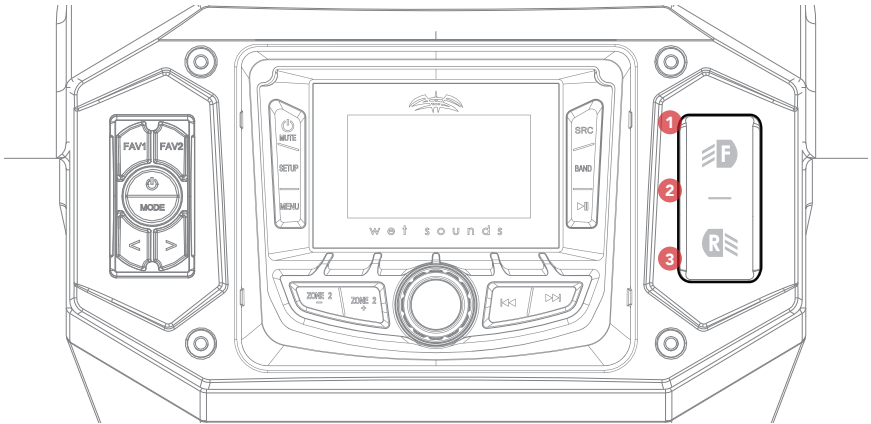
- AUX mode
- USB input
- SiriusXM®

If you have any questions or concerns, please contact a certified Wet Sounds™ dealer. You may also contact Wet Sounds™ technical support by dialing 1-877-WET-SPKR (1-877-938-7757).

Light Bar Switch

Function:

The AR-5 Ranger Crew roof comes preinstalled with Wet Sounds weather resistant 40" front and 8" cargo light bar. Use the switch to turn on the front light, cargo light, or to leave them off.

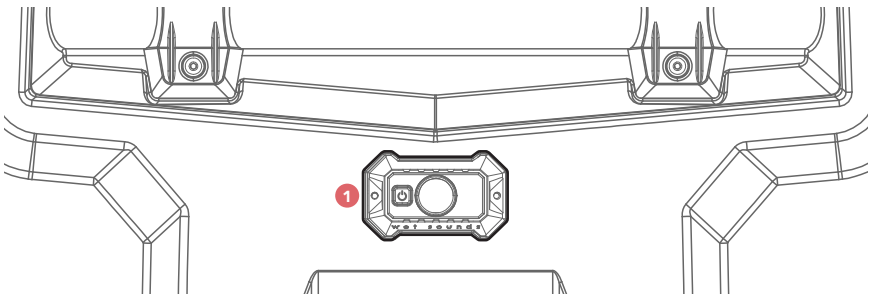


1. **Front Light Bar:** Toggle the switch to the top position to turn the front light bar on.
2. **Off:** Toggle the switch to the middle position to keep the lights off.
3. **Cargo Light Bar:** Toggle the switch to the bottom position to turn the cargo light bar on.

LED Cabin Light

Function:

The AR-5 Ranger Crew roof comes pre-installed with Wet Sounds dome light.

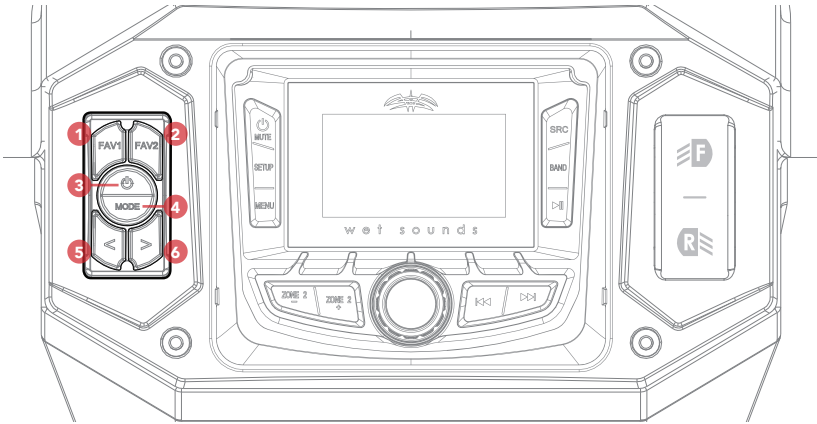


1. **Dome Light:** Illuminates the interior cabin space.

WWX-RGB-RS RGB Controller

Function:

The AR-5 Ranger Crew roof comes preinstalled with Wet Sounds WWX-RGB-RS RGB Controller.



1. **FAV1:** Recall the previously programmed preset at any time.
2. **FAV2:** Recall the previously programmed preset at any time.
3. **Power:** Press and hold to power unit On/Off.
4. **Mode:** Selects between solid mode, music mode and fade mode.
5. **Back Button:** Make adjustments while in solid color, music, and fade mode.
6. **Forward Button:** Make adjustments while in solid color, music, and fade mode.

Setup Operation

Selecting Color and Mode

Toggle between modes by short pressing the mode button (#4).

Solid Color Mode: Use the forward or back button (#6/#5) to toggle between colors.

Music Mode: The forward button (#6) increases the sensitivity of the music response and the back button (#5) decreases the sensitivity.

Fade Mode: Short press the forward button (#6) to increase fade speed, and the back button (#5) decreases speed. Long pressing the forward or back button will change the color.

Note: one of the colors in this mode is a multi color option.

Setting Favorites

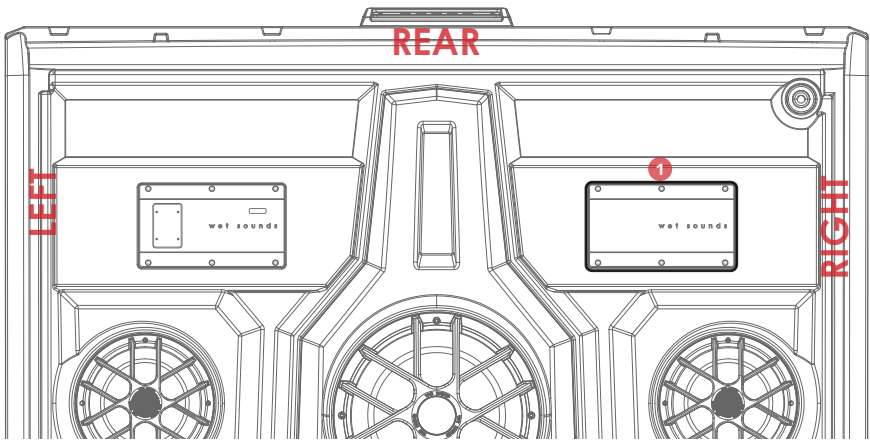
Use FAV1 or FAV2 (#1/#2) to recall programmed presets at any time.

Programming: Press and hold FAV1 or FAV2 to save the mode and settings.

Additional Amplifier

Function:

The AR-5 Ranger Crew comes with an expandable amplifier slot for adding external speakers to the audio system. Reference the AR-AMP manual for installation instructions.



- 1. Expandable Amplifier Slot:** The plate can be replaced with Wet Sounds AR-AMP 2CH. The AR-5 Ranger Crew comes pre-wired to accept the AR-AMP 2CH for easy installation. A DT connection is included in the AR-5 wiring harness to wire additional speakers and RGB lighting.

Compatible Speaker List

Once the AR-AMP 2CH (2 channel amplifier) is installed a variety of tower speakers can be added such as:

- RECON 6 Pods
- ICON 8 Pods
- REV 8 Pods

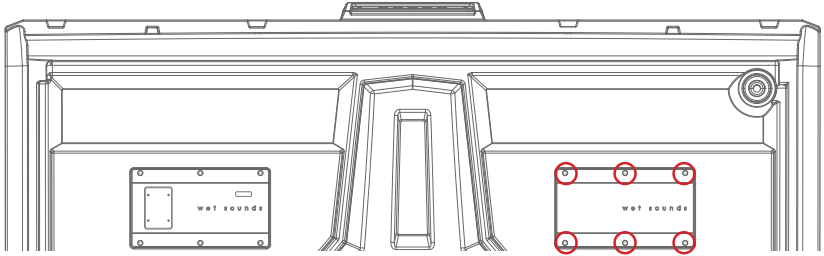
Please visit wetsounds.com for more information on AR-5 Ranger Crew compatible speakers.

Fuse Box

Function:

The AR-5 Ranger Crew comes with a fuse box located behind the expandable amplifier slot. Follow the steps below for changing a fuse.

- 1. Disconnect the Battery:** For your safety, please disconnect the vehicle's battery before starting.
- 2. Remove the Amp Face Plate:** Start by removing the (6) H4 (4mm) Allen screws holding the amp plate in place.



- 3. Identify Faulty Fuse:** Use the chart below to check the different accessories used on the AR-5 Ranger Crew.

	Fuse Position	Amp	Circuits Protected
	1	40	2 Channel Amplifier
	2	40	4 Channel Amplifier
	3	10	Front & Rear Light Bar
	4	20	Source Unit: WS-MC-2
	5	20	Dome Light
	6	-	-

- 4. Replace Fuse:** Using the chart above, check that you replace the fuse with the same amp rating stated above.
- 5. Replace Plate:** Reinstall the amp plate with the (6) 4H Allen screws.
- 6. Reconnect the Battery:** Carefully reconnect the battery.

Limited Warranty

What This Warranty Covers

This is a "Limited" warranty. This warranty covers any defects in materials and workmanship and the warranty only applies to the original purchaser and is not transferable. This warranty is only valid if the original purchase was made from an authorized Wet Sounds dealer.

How Long Coverage Lasts

This warranty runs for 2 years from the date of the purchase.

What Is Not Covered

This warranty does not cover fading or discoloration caused by exposure to sunlight or chemicals such as ammonia, household bleach, or any cleaning material that contains abrasive substances. For information on how to prevent fading or discoloration, consult recommendations on cleaning products. Wet Sounds, Inc. does not cover the cost for removal and reinstallation of any kind. Additionally, shipping to Wet Sounds, Inc. is covered by the purchaser. This warranty is void and inapplicable if Wet Sounds deems that the product was abused or misused; including but not limited to Speaker product that has been improperly-powered (under or over powered), causing thermal (burnt voice coil) and/or mechanical failure (torn surrounds or spiders), damage caused by accident, mishandling, improper installation, negligence, normal wear and tear, excessive water or heat damage, freight damage or products that have been altered in any way. (The warranty is not transferable and will neither apply to products purchased from unauthorized dealers nor product owned by anyone other than the original purchaser from an authorized Wet Sounds dealer.) Wet Sounds is not responsible for any damages to a consumer's boat or person from a product failure. The warranty is void if Wet Sounds deems the product was installed or used improperly. Wet Sounds shall not be responsible for any incidental or consequential damages, except to the extent provided (or prohibited) by applicable law.

What Wet Sounds, Inc. Will Do

Wet Sounds, Inc will repair any part of your product that proves to be defective in materials or workmanship. In the event repair is not possible, Wet Sounds, Inc. will replace the product in question. If it is deemed necessary, Wet Sounds, Inc. will either replace the entire product with a refurbished unit or it will be replaced with a model that is similar in price if that model is no longer available. Labor cost and materials needed to complete this service will be at no charge to the purchaser. Additionally, the cost of shipping to the consumer is also covered under this warranty.

How to Obtain Warranty Service

Contact Wet Sounds, Inc. either by phone at 877-938-7757 or by email at warranty@wetsounds.com. A service representative will assist you in the necessary actions to verify that the problem that you are experiencing is covered under warranty. If it is in fact a warranty issue, Wet Sounds will issue an RA number for tracking purposes and give instructions on sending the product in for evaluation.

How State Law Applies

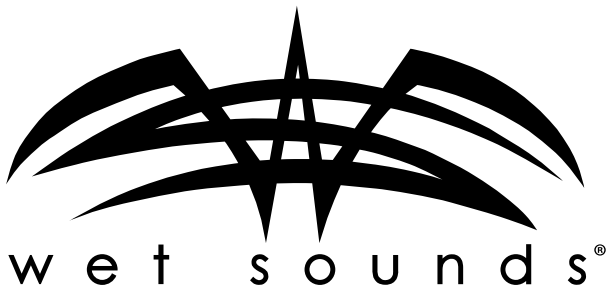
This warranty gives you specific legal rights, and you may also have other rights which vary from state to state.

Internet Warning

Wet Sounds, Inc. products sold on any unauthorized website or internet auction site are void of any and all manufacturer's warranty. Please contact Wet Sounds at 877-938-7757 or visit our website at www.wetsounds.com to search for an authorized site and/or an authorized retailer near you.

Caution & Respect

Wet Sounds speakers can achieve very high sound pressure levels. Please use this product responsibly. Be aware that sound travels great distances across water so please respect other boaters especially while loading/unloading at the ramp or dock. Wet Sounds, Inc. is not responsible for any violations of the law that may be a direct result of excessive volume. Please abide by the rules but have fun doing it.



Wet Sounds, Inc.
www.wetsounds.com
877-938-7757

2975 Louise Street
Rosenberg, Texas 77471 USA

Wet Sounds, Inc. is not affiliated with or in any way associated with Polaris Industries or any other person, entity, product or organization. Reference in this document to any specific commercial product, process, or service, or the use of any trade, firm or corporation name is for the information and convenience of the public, and does not constitute endorsement or recommendation by Wet Sounds, Inc.

© 2022 Wet Sounds, Inc. All Rights Reserved. WET SOUNDS and associated logos where applicable are registered trademarks of Wet Sounds Corporation in the United States and/or other countries. All other trademarks are the property of their respective owners.

AR-5 Ranger Crew