

w e t s o u n d s

V E N U E S E R I E S

VS-12 LS-SUB

12" Landscape In-Ground Subwoofer



CONGRATULATIONS!

Thank You for Your Wet Sounds VENUE SERIES Purchase.

Wet Sounds professional audio products represent the ultimate in high performance audio. Wet Sounds speakers are specifically engineered to withstand the rigorous outdoor environment.

The Wet Sounds VENUE Series were designed to provide amazing output combined with a cutting edge style. Utilizing state of the art acoustic engineering and three dimensional computer aided design, Venue Series represent the most advanced outdoor speakers in the world.

Please take a moment to read the instruction manual before starting your installation. If you have any questions or concerns, please contact your certified Wet Sounds dealer or Wet Sounds:

877-WET-SPKR (1-877-938-7757)

www.wetsounds.com

w e t s o u n d s

V E N U E S E R I E S

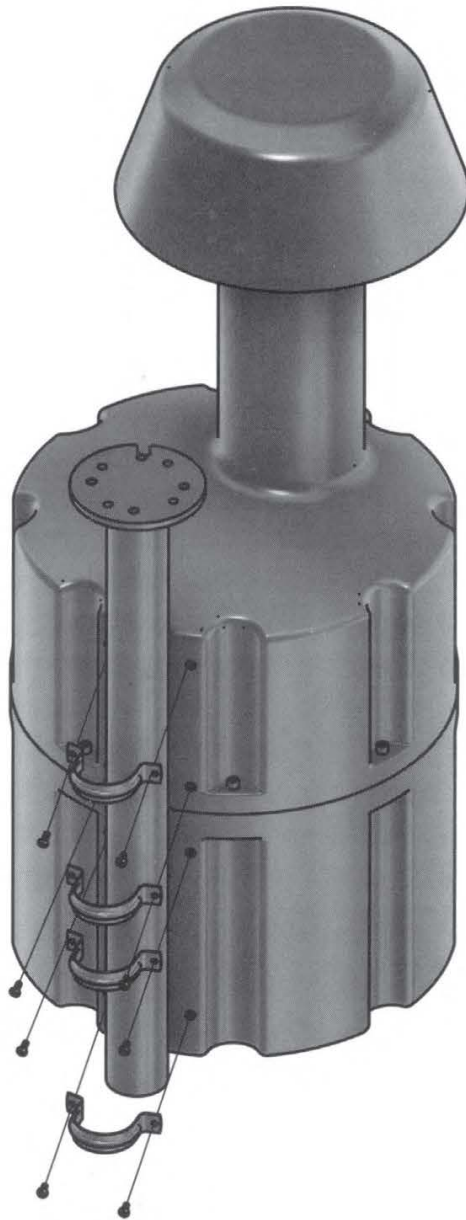


VS-12 LS-SUB

SPECS		
RMS Watts	150	
PEAK Watts	300	
Frequency Res.	20-200HZ	
Sensitivity	90db	
Impedance	4 Ohms	
Avail. Color	Black	
DIMENSIONS		
H: 32.28"	W: 14.17"	Port Cap Depth: 11.86"
Top Sub Housing to Bottom Port Cap		10.08"

VS-12 LS-SUB

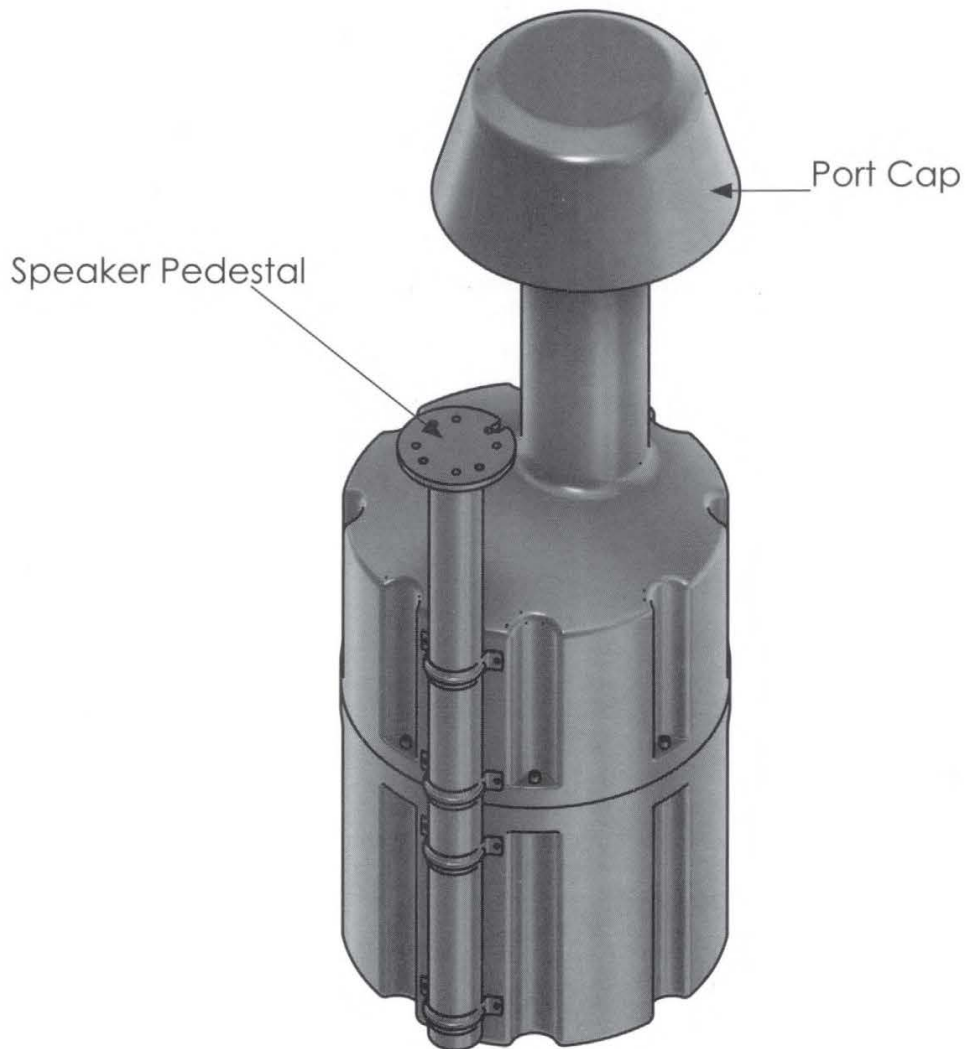
Step 1 - If using with VS-69 Pro Landscape speakers, attach speaker pedestal mount using provided hardware. If not, proceed to Step 2.



VS-12 LS-SUB

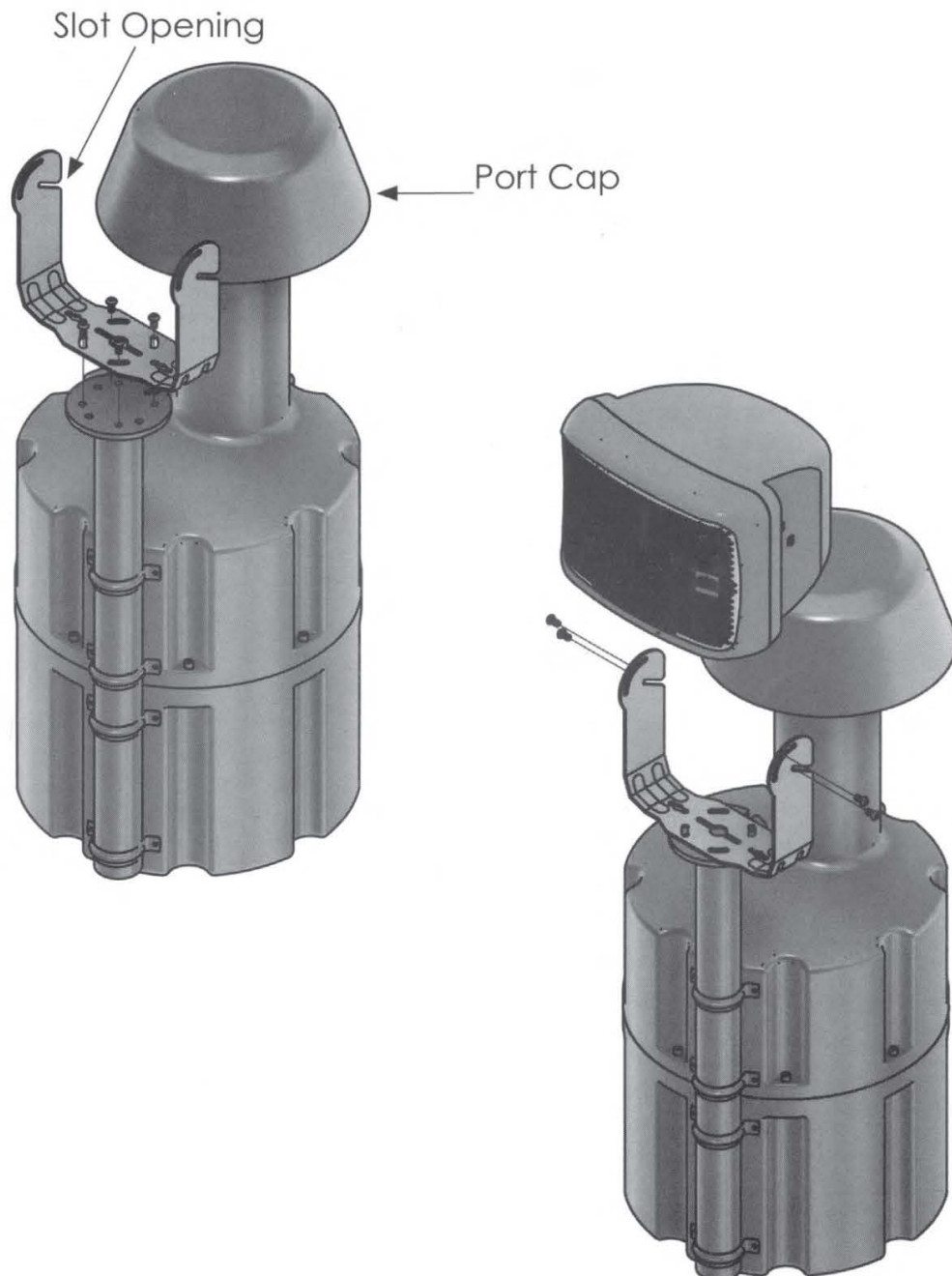
Step 2 - Dig an 18" (diameter) x 24" (deep) hole in desired location.

Step 3 - Place sub in hole and position sub so that the speaker pedestal faces in the correct orientation. (reference coverage map on pg 6-7). Ensure that signal connections are accessible once the sub is in place.



VS-12 LS-SUB

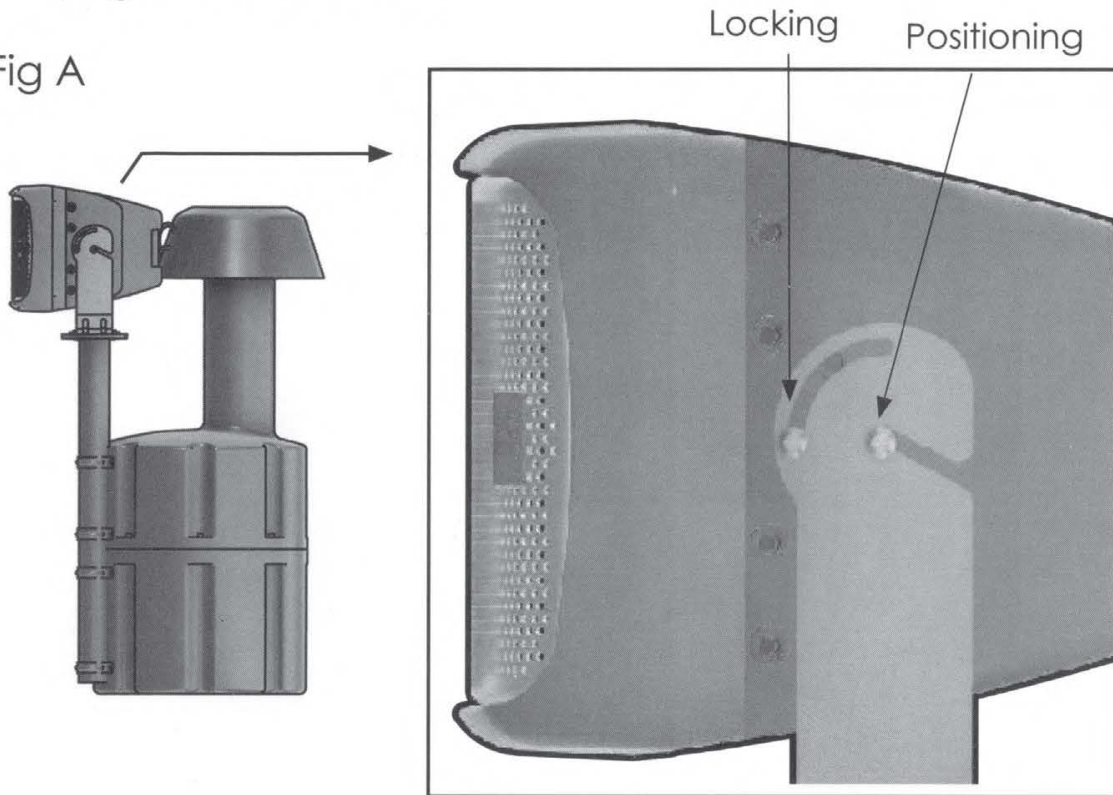
Step 4 - If using with VS-69 Pro Landscape speakers, mount the speaker bracket to the pedestal using hardware provided with VS-69 Pro. Ensure the bracket slot openings face toward the port cap.



VS-12 LS-SUB

Step 5 - Position speaker in the bracket so that the threaded holes align with the mounting slots. Thread hardware through bracket into speaker (see Fig A) and position tilt angle of speaker. When the desired angle is set; tighten hardware.

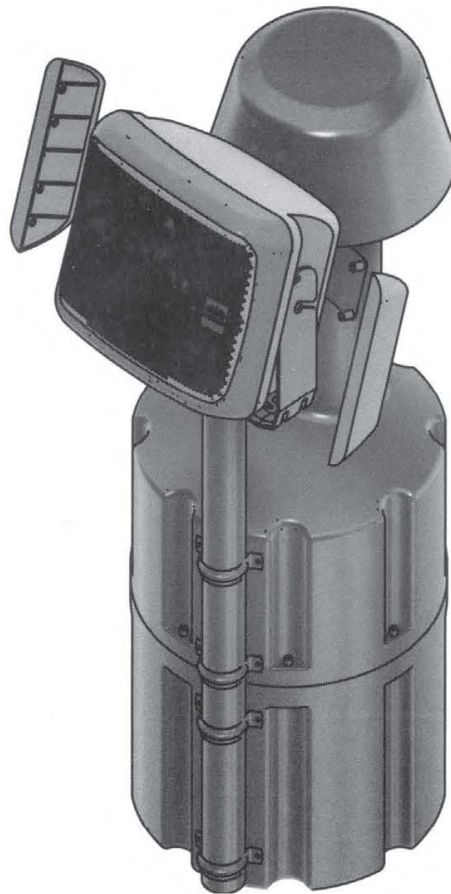
Fig A



Step 6 - Connect the speaker signal connections from the amplifier to the speakers (Red+ / Black-). Bury sub and signal leads, ensuring that ground level is 3-5 inches below bottom edge of subwoofer port cap or level with the speaker pedestal.

VS-12 LS-SUB

Step 7 - Reinstall speaker side panels and rear cover to complete the installation.



VS-12 LS-SUB

Coverage Map
Wet Sounds Venue Series



LIMITED WARRANTY

WHAT THIS WARRANTY COVERS

This is a "limited" warranty. This warranty covers any defect in materials and workmanship. This warranty only covers the original purchaser and is not transferable. This warranty is also only valid if the original purchase was made from an authorized Wet Sounds TM dealer.

HOW LONG COVERAGE LASTS

This warranty extends for 2 years from the date of purchase. It is recommended to REGISTER your warranty on line within 45 days of purchase at www.wetsounds.com – click on "warranty registration".

WHAT IS NOT COVERED

This warranty does not cover fading or discoloration caused by exposure to sunlight or chemicals such as ammonia, household bleach, or any cleaning material that contains abrasive substances. Wet Sounds, Inc. does not cover the expense for removal or re-installation. Additionally, shipping TO Wet Sounds, Inc. must be paid for by the purchaser. This warranty is void and inapplicable if Wet Sounds deems that the product was abused or misused; including but not limited to damage caused by accident, mishandling, improper installation, removing the in line fuse on the power connection, negligence, normal wear and tear, excessive water or heat damage, freight/shipping damage, or products that have been disassembled by anyone other than Wet Sounds technical staff. Wet Sounds will not be responsible for any incidental or consequential damages, except to the extent provided (or prohibited) by applicable law. This warranty gives you specific rights, and you may also have other rights which vary from state to state.

WHAT WET SOUNDS, INC. WILL DO

Wet Sounds, Inc. will repair any part of your product that proves to be defective in materials or workmanship. In the event repair is not possible, Wet Sounds will replace the product in question. If it is deemed necessary Wet Sounds, Inc. will either replace the entire product with a refurbished unit or it will be replaced with a model that is similar in price if that model is no longer available. Labor costs and materials needed to complete this service will be at No Charge to the purchaser. Additionally, return shipping FROM Wet Sounds, Inc. to the purchaser will be paid for by Wet Sounds.



HOW TO GET SERVICE

Contact Wet Sounds, Inc. either by phone (877-938-7757) or by email (warranty@wetsounds.com). A service representative will assist you in confirming that the problem you are experiencing is caused by a defective product and if that product is covered under warranty. The service representative will issue you a Return Manufacturer's Authorization (RMA) and other details to obtain service for your product.

DO NOT RETURN YOUR PRODUCT WITHOUT THE PROPER
RETURN AUTHORIZATION (RMA)!

INTERNET WARNING

Wet Sounds, Inc. products sold on any non-authorized web site or internet auction site are void of any and all manufacturer's warranty. Please contact Wet Sounds (877-938-7757) or visit our website (www.wetsounds.com) for a list of authorized online sellers or to find an authorized installing retailer near you.

WET SOUNDS INC.

www.wetsounds.com • 877-938-7757

10621 S Sam Houston PKWY W • Suite 100
Houston, Texas 77071 • USA



w e t s o u n d s

V E N U E S E R I E S



WET SOUNDS INC.
www.wetsounds.com
877-938-7757

10621 S Sam Houston PKWY W • Suite 100
Houston, Texas 77071
USA