

w e t s o u n d s

---

VENUE SERIES

**VS-69 PRO VS-8 PRO**



## CONGRATULATIONS!

Thank You for Your Wet Sounds VENUE SERIES Purchase.

---

Wet Sounds professional audio products represent the ultimate in high performance audio. Wet Sounds speakers are specifically engineered to withstand the rigorous outdoor environment.

The Wet Sounds VENUE Series were designed to provide amazing output combined with a cutting edge style. Utilizing state of the art acoustic engineering and three dimensional computer aided design, Venue Series represent the most advanced outdoor speakers in the world.

Please take a moment to read the instruction manual before starting your installation. If you have any questions or concerns, please contact your certified Wet Sounds dealer or Wet Sounds:

877-WET-SPKR (1-877-938-7757)  
[www.wetsounds.com](http://www.wetsounds.com)

w e t s o u n d s  
VENUE SERIES



# VS-8 PRO



SPECS		
RMS Watts	200	
PEAK Watts	400	
Frequency Res.	20Hz to 20KHZ	
Sensitivity	92 db @1watt/1meter	
Impedance	4 Ohms	
Avail. Color	Black, White	
DIMENSIONS		
H: 10.17"	W: 15"	D: 11.86"



# VS-69 PRO

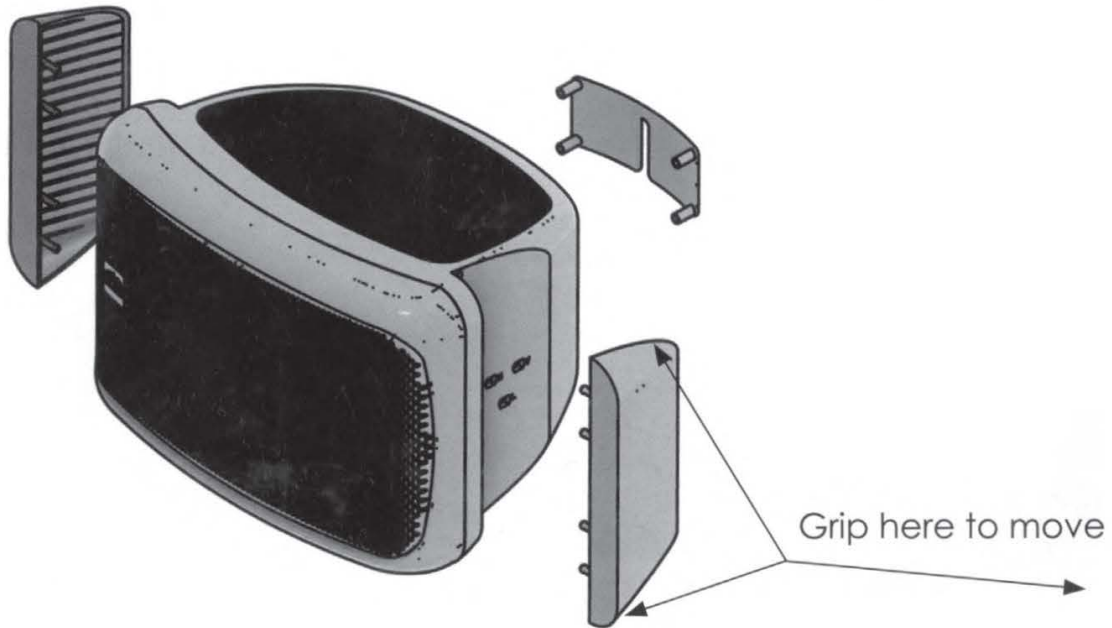


SPECS		
RMS Watts	150	
PEAK Watts	300	
Frequency Res.	20Hz to 20KHZ	
Sensitivity	92 db @1watt/1meter	
Impedance	4 Ohms	
Avail. Color	Black, White	
DIMENSIONS		
H: 8.4"	W: 11.67"	D: 10.08"

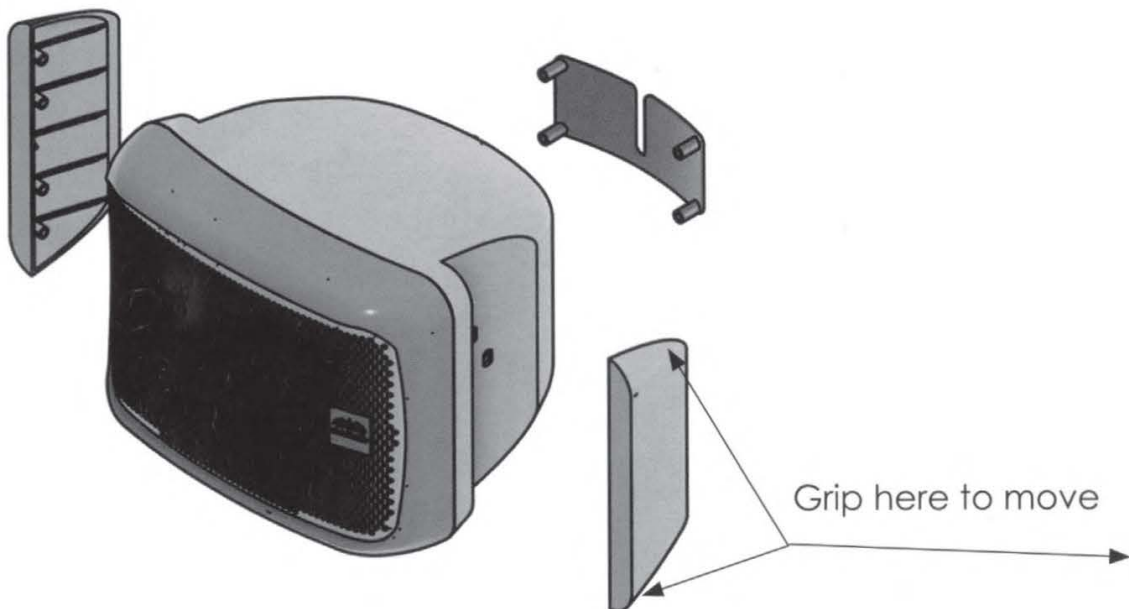


**Step 1** - Carefully remove the side cover panels and rear termination panel from the speaker.

## VS-8 PRO



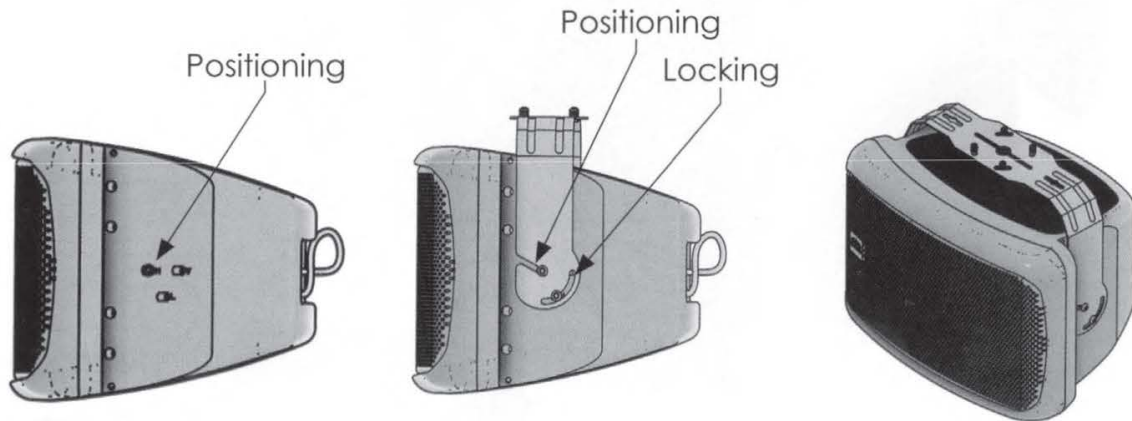
## VS-69 PRO



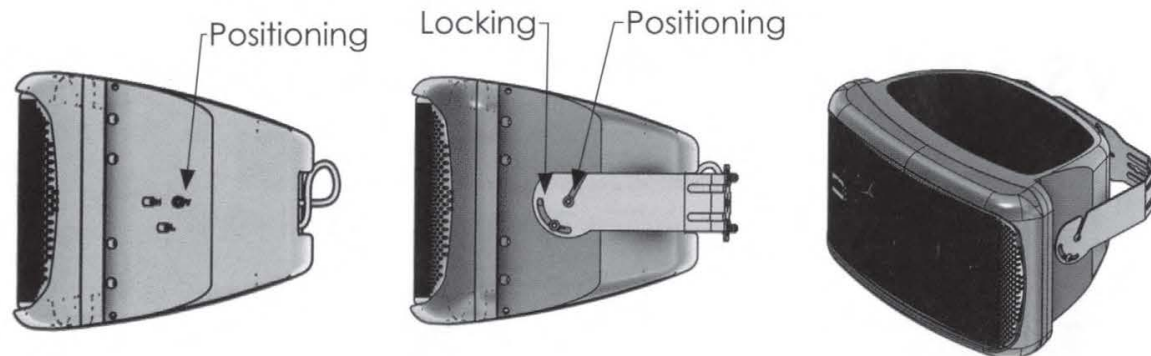
**Step 2** - Pre-thread hardware in the speaker positioning locations based on desired mounting orientation shown below.

## VS-8 PRO

### A) Vertical Under Eave \*VS-8 Pro



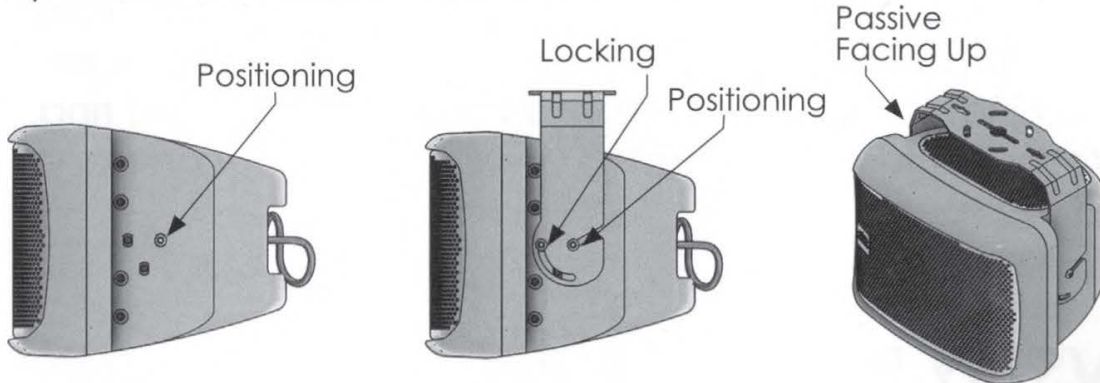
### B) Horizontal \*VS-8 Pro



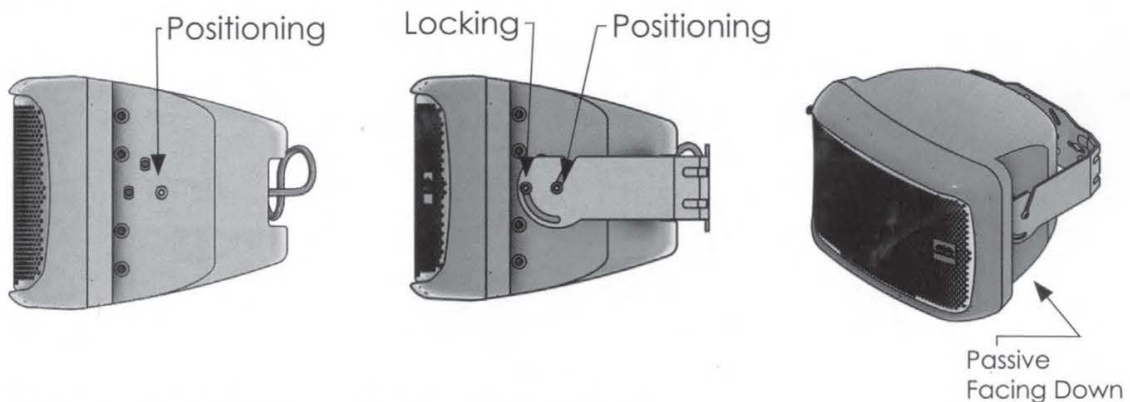
## VS-69 PRO

\*For VS-69 Pro ensure the passive radiator is oriented correctly depending on application. In an under eave or covered application, the passive radiator should be faced upwards to provide optimal performance. In a landscape application, the passive radiator should be faced downwards. The front badge can be rotated depending on mounting orientation.

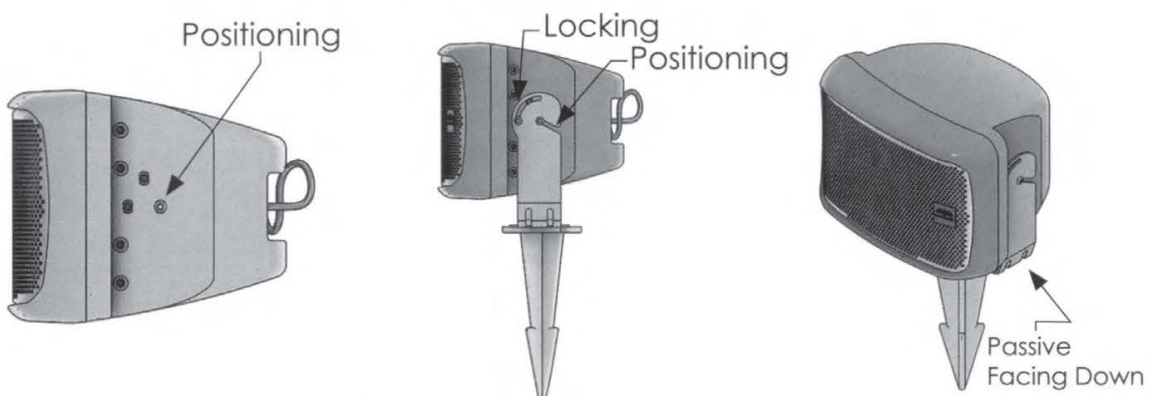
### A) Vertical Under Eave \*VS-69 Pro



### B) Horizontal \*VS-69 Pro



### C) Landscape Ground Spike \*VS-69 Pro

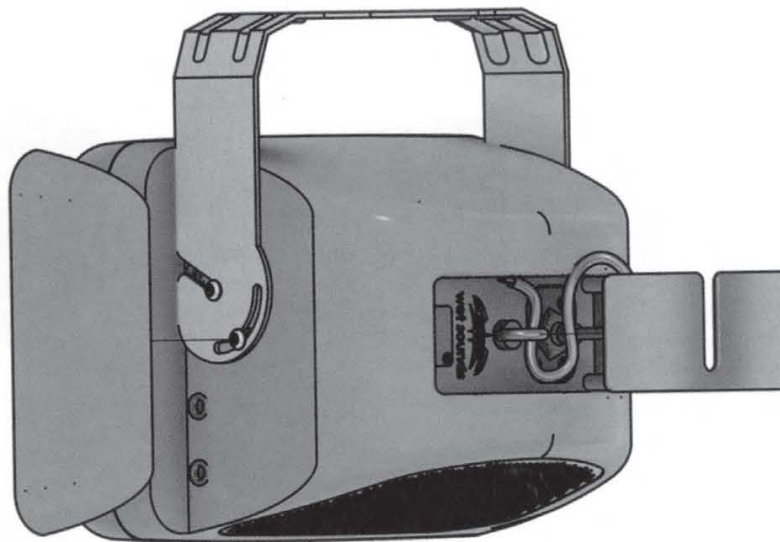


\*If using optional Ground Spike, securely mount the bracket to ground spike, place spike in desired landscape location and follow speaker mounting instructions above.

**Step 3** - Mount bracket and safety strap in desired location and orientation (hardware and safety strap not included). Once the bracket is securely in place, cradle the speaker into the brackets slots and insert remaining hardware into the locking slots. Adjust tilt angle of the speaker and tighten all bracket hardware.

**Step 4** - Connect the speaker signal connections from the amplifier to the speaker connections (Red + / Black -). Terminate the safety cable to the anchor support ring. Re-install side cover panels and rear termination panel to the speaker.

## VS-69 PRO/VS-8 PRO

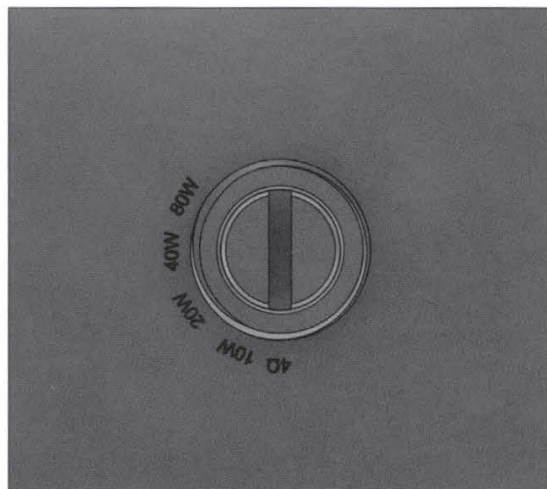
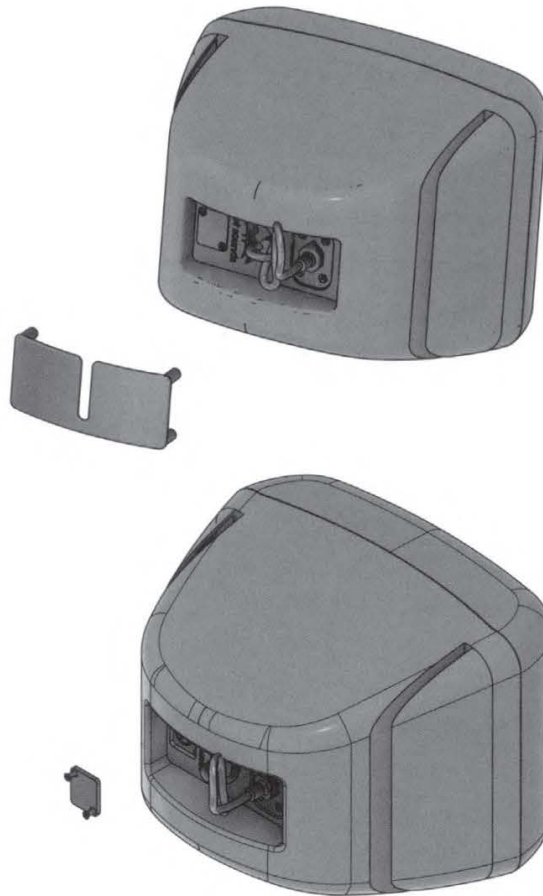




## Optional Tap Adjustment

The default setting of the speaker is optimally adjusted for use with Wet Sounds Venue Series Amplifier (4ohm). In the instance of using the speakers with a 70v distributed load amplifier, remove 2x Phillips head screws and tap adjustment cover. Adjust the rear tap to the desired wattage that satisfies your system requirements and reinstall the cover.

## VS-69 PRO/VS-8 PRO



# LIMITED WARRANTY

---

## WHAT THIS WARRANTY COVERS

This is a "limited" warranty. This warranty covers any defect in materials and workmanship. This warranty only covers the original purchaser and is not transferable. This warranty is also only valid if the original purchase was made from an authorized Wet Sounds TM dealer.

## HOW LONG COVERAGE LASTS

This warranty extends for 2 years from the date of purchase. It is recommended to REGISTER your warranty online within 45 days of purchase at [www.wetsounds.com](http://www.wetsounds.com) – click on "warranty registration".

## WHAT IS NOT COVERED

This warranty does not cover fading or discoloration caused by exposure to sunlight or chemicals such as ammonia, household bleach, or any cleaning material that contains abrasive substances. Wet Sounds, Inc. does not cover the expense for removal or re-installation. Additionally, shipping TO Wet Sounds, Inc. must be paid for by the purchaser. This warranty is void and inapplicable if Wet Sounds deems that the product was abused or misused; including but not limited to damage caused by accident, mishandling, improper installation, removing the inline fuse on the power connection, negligence, normal wear and tear, excessive water or heat damage, freight/shipping damage, or products that have been disassembled by anyone other than Wet Sounds technical staff. Wet Sounds will not be responsible for any incidental or consequential damages, except to the extent provided (or prohibited) by applicable law. This warranty gives you specific rights, and you may also have other rights which vary from state to state.

## WHAT WET SOUNDS, INC. WILL DO

Wet Sounds, Inc. will repair any part of your product that proves to be defective in materials or workmanship. In the event repair is not possible, Wet Sounds will replace the product in question. If it is deemed necessary Wet Sounds, Inc. will either replace the entire product with a refurbished unit or it will be replaced with a model that is similar in price if that model is no longer available. Labor costs and materials needed to complete this service will be at No Charge to the purchaser. Additionally, return shipping FROM Wet Sounds, Inc. to the purchaser will be paid for by Wet Sounds.

## HOW TO GET SERVICE

Contact Wet Sounds, Inc. either by phone(877-938-7757) or by email ([warranty@wetsounds.com](mailto:warranty@wetsounds.com)).

A service representative will assist you in confirming that the problem you are experiencing is caused by a defective product and if that product is covered under warranty. The service representative will issue you a Return Manufacturer's Authorization (RMA) and other details to obtain service for your product.

DO NOT RETURN YOUR PRODUCT WITHOUT THE PROPER RETURN AUTHORIZATION (RMA)!

## INTERNET WARNING

Wet Sounds, Inc. products sold on any non-authorized web site or internet auction site are void of any and all manufacturer's warranty. Please contact Wet Sounds (877-938-7757) or visit our website

([www.wetsounds.com](http://www.wetsounds.com)) for a list of authorized online sellers or to find an authorized installing retailer near you.

WET SOUNDS INC.

[www.wetsounds.com](http://www.wetsounds.com) • 877-938-7757

10621 S Sam Houston PKWY W • Suite 100  
Houston, Texas 77071 • USA



w e t   s o u n d s

---

V E N U E   S E R I E S



w e t   s o u n d s

**WET SOUNDS INC.**  
[www.wetsounds.com](http://www.wetsounds.com)  
877-938-7757

10621 S Sam Houston PKWY W • Suite 100  
Houston, Texas 77071  
USA

