

DSR1

PRODUCT OVERVIEW & APP SETUP

If you plan to use DSR1 in a MAESTRO vehicle-specific installation, proceed with steps 1-3 below, then follow Maestro programming above.

Step 1 - Update DSR1

Get the latest audio features by updating the DSR1 at www.rockfordfosgate.com/products/details/dsr1.

Step 2 - Non Vehicle-Specific Installation

The DSR1 comes pre-programmed as follows:

- (4) Inputs
- (8) Active Outputs:
 - Front (L/R)
 - Spare (L/R, signal derived from front inputs)
 - Rear (L/R)
 - Sub (L/R)

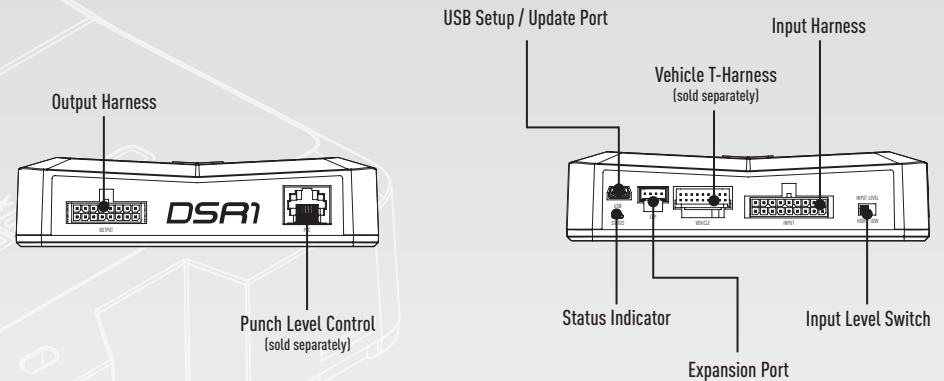
Subwoofer is a summing of all 4 input channels. No balance, no fade. You will need to download the app if you want to reconfigure the device and take advantage of the custom audio tuning capabilities.

Step 3 - Download the App

To take advantage of the full DSR1's tuning capabilities, download the **Rockford Fosgate PerfectTune™** app, designed to run on both tablets and mobile devices.

Step 4 - App Setup & Tuning

Once you have the app installed onto your device, the setup process will walk you through the necessary steps for pairing the device to the DSR1. After the pairing is complete, the app will continue to provide instruction to finalize the desired audio tune for the vehicle.



PerfectTune™ App



NEED HELP WITH YOUR INSTALLATION?



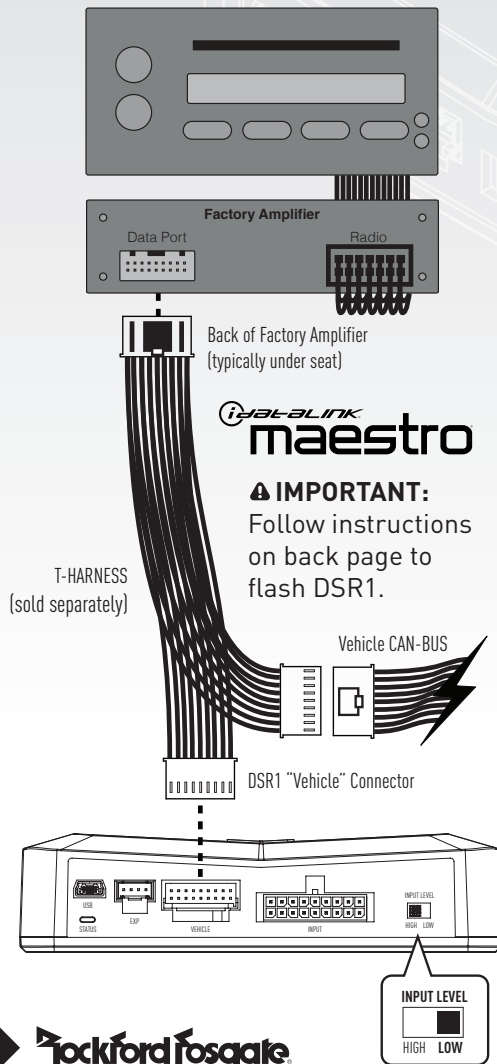
DSR1

FLEXIBLE INPUT CONFIGURATIONS

The DSR1 can be utilized out-of-the-box with high-level, low-level, or with a T-harness and vehicle specific firmware enabling integration without loss of factory equipped controls and features.

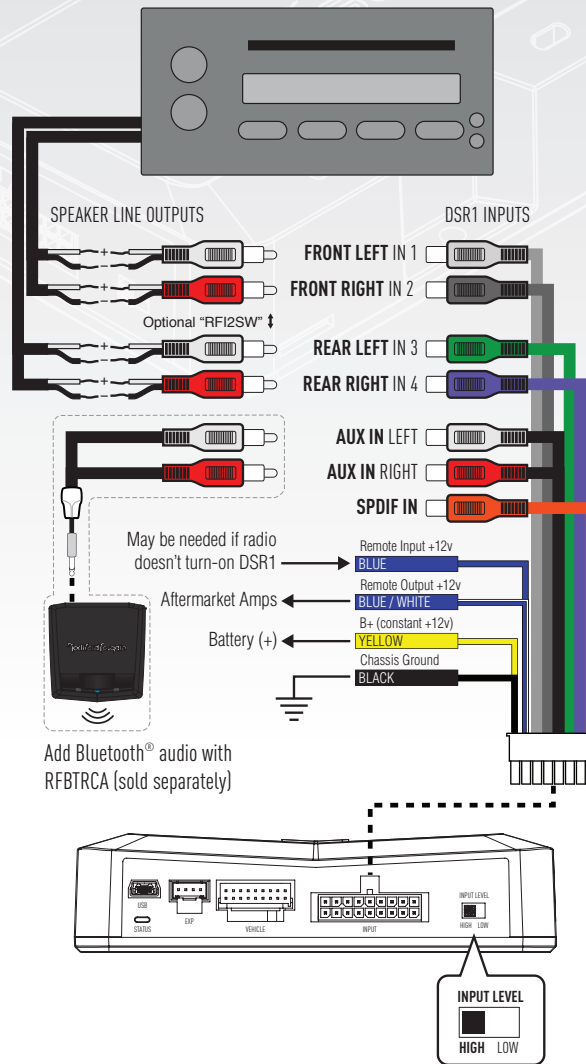
FACTORY RADIO + T-HARNESS

Allows for installation of aftermarket amplifiers with vehicle specific firmware and T-harness while retaining factory radio controls and features.



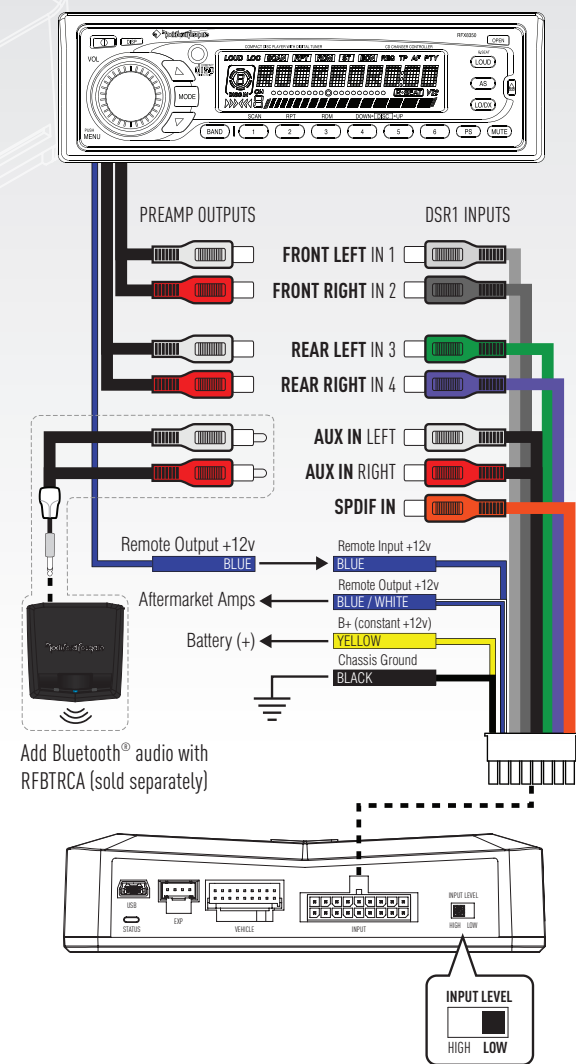
FACTORY RADIO

Allows for installation of aftermarket amplifiers in virtually any vehicle with a factory radio using high-level inputs.



AFTERMARKET RADIO

Allows for installation of aftermarket amplifiers in virtually any vehicle with an aftermarket radio using low-level inputs.

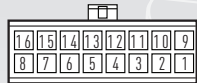


DSR1

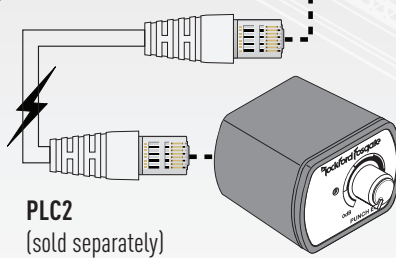
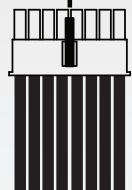
TYPICAL OUTPUT CONFIGURATION + PIN OUTS

The all-in-one digital sound processor and amplifier replacement interface allows for installation of aftermarket amplifiers in virtually any vehicle.

OUTPUT
(looking into wired end)



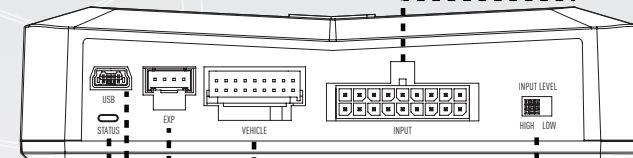
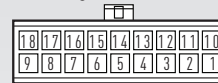
Pin	Wire	Function	Pin	Wire	Function
1	Black	Right Sub (-)	9	Red	Right Sub (+)
2	Black	Left Sub (-)	10	White	Left Sub (+)
3	Black	Right Rear (-)	11	Red	Right Rear (+)
4	Black	Left Rear (-)	12	White	Left Rear (+)
5	Black	Right Spare (-)	13	Red	Right Spare (+)
6	Black	Left Spare (-)	14	White	Left Spare (+)
7	Black	Right Front (-)	15	Red	Right Front (+)
8	Black	Left Front (-)	16	White	Left Front (+)



PLC2
(sold separately)

Pin	Wire	Function	Pin	Wire	Function
1	Orange/Black	SPDIF In (-)	10	Orange	SPDIF In (+)
2	Violet/Black	Right Rear (-)	11	Violet	Right Rear (+)
3	Green/Black	Left Rear (-)	12	Green	Left Rear (+)
4	Black	Right Aux In Shield	13	Red	Right Aux In (-)
5	Black	Left Aux In Shield	14	White	Left Aux In (+)
6	Gray/Black	Right Front (-)	15	Gray	Right Front (+)
7	White/Black	Left Front (-)	16	White	Left Front (+)
8	Blue/White	Remote Output	17	Blue	Remote In
9	Black	Ground	18	Yellow	B+ Constant

INPUT
(looking into wired end)



COLOR	SOLID	BLINKING
White	Device On	-
Blue	BT/USB Connected	BT/USB Activity
Red	Memory/Device Error	-
Yellow	B+ Undervoltage (<9V)	B+ Overvoltage (>16V)
Green	-	Maestro Activity
Violet	Boot Loader Error	-

LED

VEHICLE PORT
Maestro T-Harness

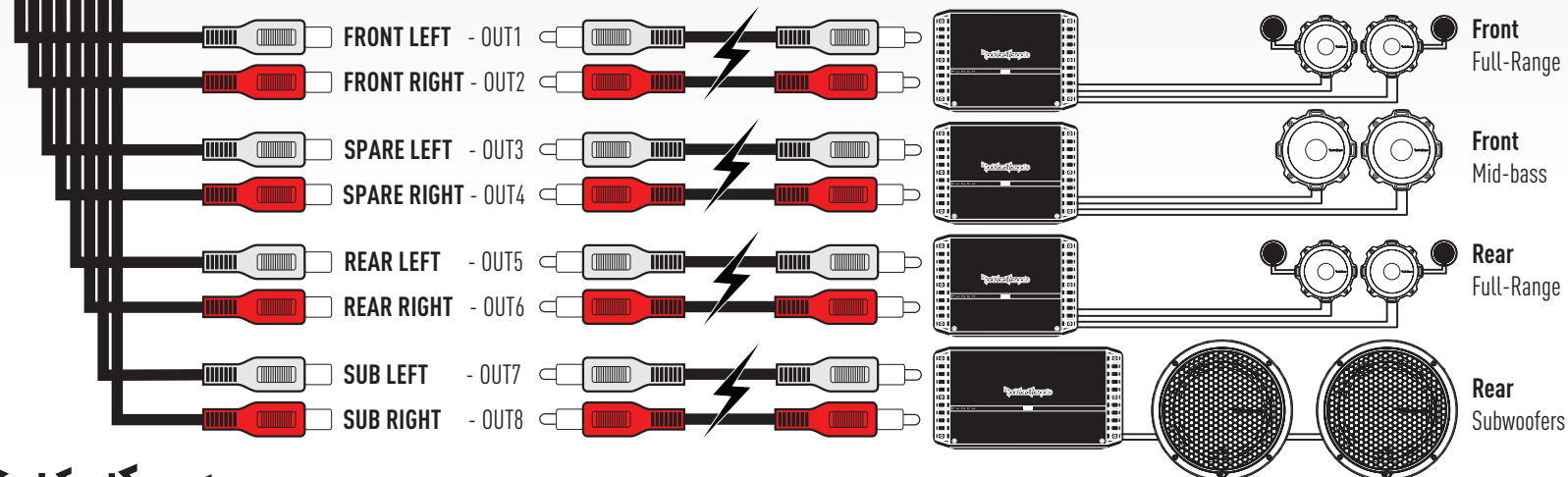
INPUT LEVEL SWITCH

High	=> 4.1v RMS
Low	<= 4.0v RMS

EXPANSION PORT
Reserved For Future Use

USB SETUP / UPDATE PORT
USB 2.0 Micro-B 5-Pin

LAPTOP
USB 2.0 Type B



DSR1

MAESTRO PROGRAMMING & INSTALLATION

The DSR1 module will require web-programming as per the steps below, before installation as well as a vehicle-specific T-harness sold separately.

Step 1 - Update DSR1

Prior to Maestro programming, update the DSR1 at www.rockfordfosgate.com/products/details/dsr1 for the latest audio features.

Step 2 - Install the Weblink plugin (for PC only)

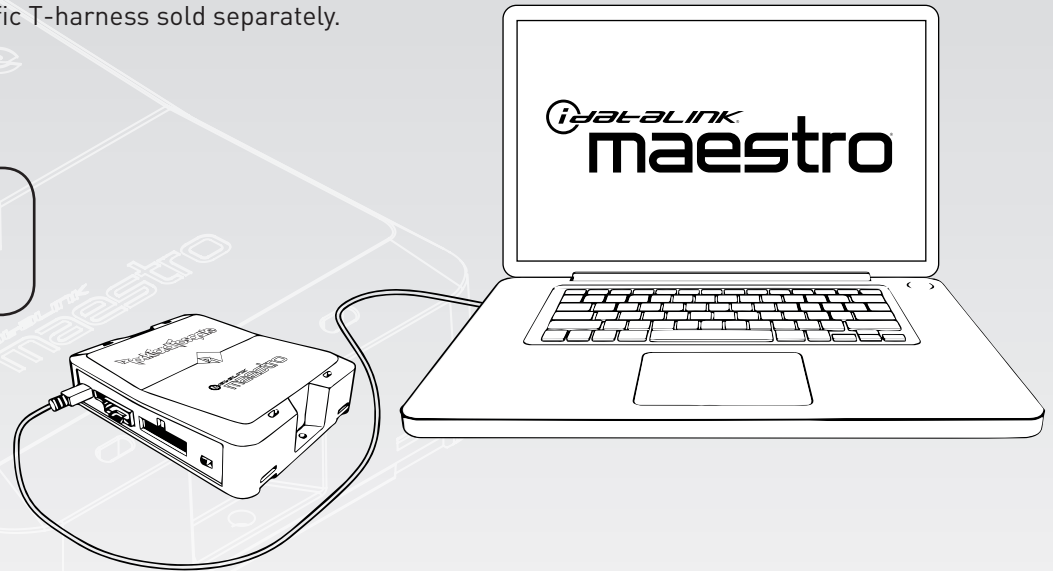
Go to idatalinkmaestro.com/plugin and follow the installation steps. Review the System Requirements before installing. **Macintosh not supported.**

Step 3 - Register a Weblink account

Go to idatalinkmaestro.com/register and complete the registration process. A confirmation email will be sent to you requiring validation.

Step 4 - Connect Maestro module to PC

Use the included mini USB cable to connect your DSR1 module to your PC.



Step 5 - Weblink Programming

Go to idatalinkmaestro.com/login. Enter your username and password, then click OK. Follow the installation steps in Weblink until your module is flashed, then download your install guide.

Step 6 - Complete Vehicle-Specific Installation

Follow the steps in your install guide and complete the installation. ADS recommends having the DSR1 installed by a certified technician. **Vehicle-specific T-harness required and sold separately.**


maestro

NEED HELP WITH YOUR INSTALLATION?

 **877.212.6169**