



HOW TO USE THIS INSTALL GUIDE

- 1** Open the Bookmarks menu and find your vehicle OR scroll down until you find the install guide for your vehicle.
- 2** Print only the pages for your vehicle using the advanced options in the Print menu.
- 3** Install your Maestro RR according to the guide for your vehicle.

WARNING

Pressing the printer icon or “quick printing” this document will print all of the guides in this compilation.

RETAINS STEERING WHEEL CONTROLS, FACTORY AMPLIFIER, AND MORE!



**HEAD UNIT
ADAPTER READY KIT**



PRODUCTS REQUIRED

iDataLink Maestro RR or RR2 Radio Replacement Interface
iDataLink Maestro EDG3 Dash Kit

PROGRAMMED FIRMWARE

ADS-RR(SR)-FOR02C-DS

ADDITIONAL RESOURCES

[Maestro RR2 Programmable Outputs Guide](#)

OPTIONAL ACCESSORIES



Click here for:
[Radar Installation Guides](#)

HEAD UNIT ADAPTER:
ACC-HU-PI01, SON1, KEN1, KEN2, ALP1

WELCOME

Congratulations on the purchase of your iDatalink Maestro RR Radio replacement solution. You are now a few simple steps away from enjoying your new car radio with enhanced features.

Before starting your installation, please ensure that your iDatalink Maestro module is programmed with the correct firmware for your vehicle and that you carefully review the install guide.

Please note that Maestro RR will only retain functionalities that were originally available in the vehicle.

TABLE OF CONTENTS

| | |
|----------------------------|----|
| Installation Instructions | 3 |
| Wiring Diagram | 7 |
| Radio Wire Reference Chart | 8 |
| Module Diagnostics | 9 |
| Troubleshooting Table | 10 |

NEED HELP?

 1 866 427-2999

 maestro.support@idatalink.com

INSTALLATION INSTRUCTIONS P1/4

DASH DISASSEMBLY

NOTE: Compatible modular 8 or 9" radio required.

1. Using a panel tool, carefully pry outward on the center console trim panels. (Fig. 1.1)
 2. Engage the parking brake, turn the ignition ON, and place the shifter in drive. Lift the upper center console trim panel, disconnect the two wiring harnesses, and remove the panel. (Fig. 1.2)
 3. Pull down on the shifter boot (Fig. 1.3) and remove the two Phillips screws securing the shifter in place. Remove the shift knob. (Fig. 1.4)
 4. Remove the four 7mm screws securing the storage pocket. Disconnect the wiring harness and USB cables. (Fig. 1.5)
 5. Remove the five 7mm screws securing the shifter carriage. Disconnect the wire harness and remove the carriage. (Fig. 1.6)
 6. Place the transmission into park and turn the ignition off.
 7. Remove the two 7mm screws at the base of the radio bezel. Using a panel tool, gently pry outward on the radio bezel to release the clips securing it. Disconnect the wire harnesses from the back. (Fig. 1.7)
 8. Remove the four 7mm screws securing the radio display. Disconnect the wiring harness and remove the display. Remove the two 7mm screws at the bottom of the CD player. Disconnect the wire harnesses and antenna connections. Remove the CD player. (Fig. 1.8)
- Remove the four screws securing the brackets on each side of the CD player. Keep the brackets for later use.
9. Open the glove compartment and push up on the retaining clips securing it. Slide the control arm off the side of the glove compartment to allow it to open completely. (Fig. 1.9)
 10. The SYNC module is located above the glove compartment. Disconnect the main 54-pin wiring harness from the module.

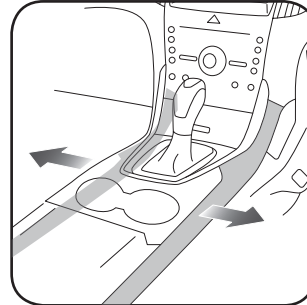


Fig. 1.1

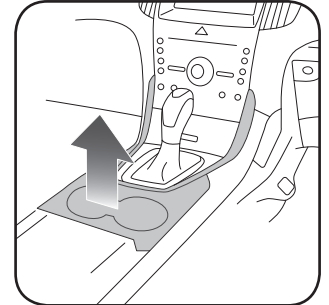


Fig. 1.2

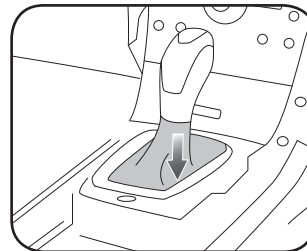


Fig. 1.3

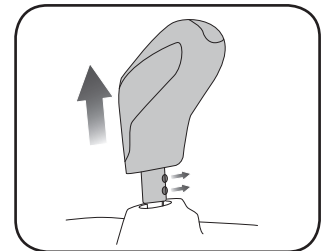


Fig. 1.4

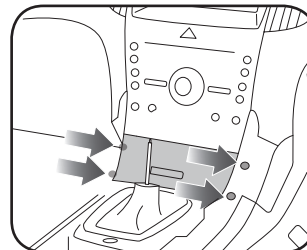


Fig. 1.5

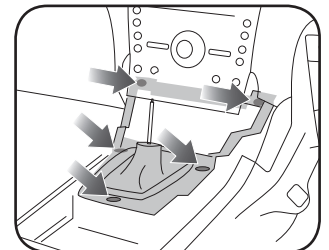


Fig. 1.6

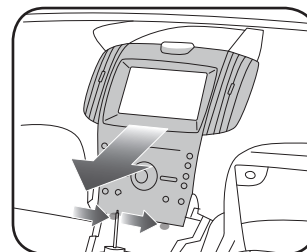


Fig. 1.7

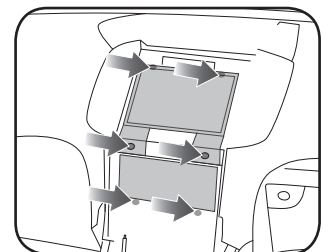


Fig. 1.8

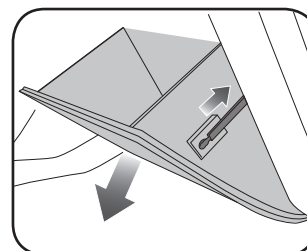


Fig. 1.9

INSTALLATION INSTRUCTIONS P2/4

DISASSEMBLE FACTORY RADIO

1. Remove the climate vents from the bezel assembly by releasing the two clips securing them. (Fig. 2.1)
2. Remove the eighteen T9 Torx screws securing the backplate. Remove the connector housing. (Fig. 2.2)
3. Remove the backplate from the bezel (Fig. 2.3)
4. Pull outward on the ribbon cable connector at the top of the climate control board. (Fig. 2.4)
5. Flip the climate board down to expose the ribbon cable on the back side. (Fig. 2.5)
6. Pull outward to disconnect the ribbon cable. (Fig. 2.6)
7. Remove the six T6 Torx screws securing the upper bezel to the climate controls and remove the upper radio bezel. This will not be used. (Fig. 2.7)
8. Remove the factory USB housing from the pocket. Depress the four tabs using a small pick tool. (Fig. 2.8)

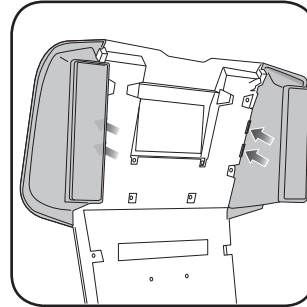


Fig. 2.1

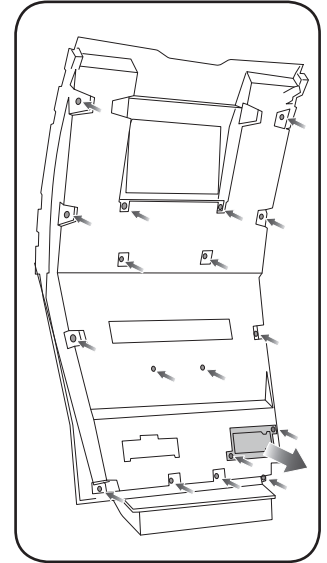


Fig. 2.2

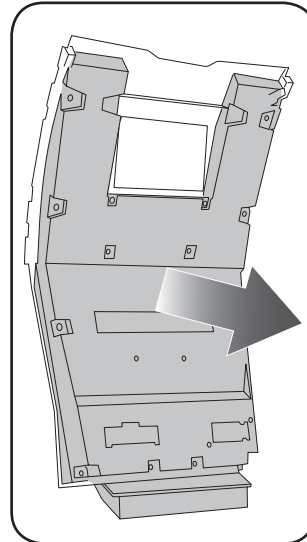


Fig. 2.3

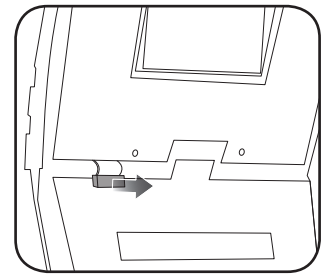


Fig. 2.4

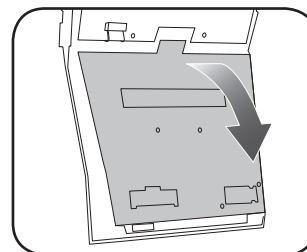


Fig. 2.5

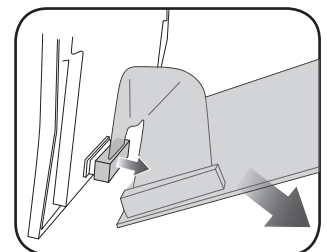


Fig. 2.6

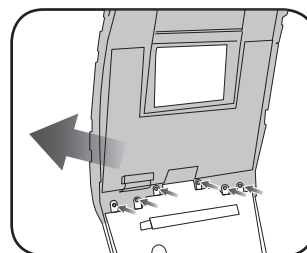


Fig. 2.7

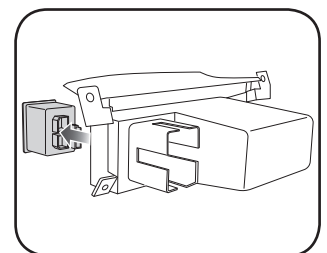


Fig. 2.8

INSTALLATION INSTRUCTIONS P3/4

ASSEMBLE THE EDG3 DASH KIT

1. Place the EDG3 display trim onto the factory climate bezel. Secure it with the six included Phillips screws. (Fig. 3.1)
2. Reconnect the climate control board to the climate housing. (Fig. 3.2)
3. Snap the EDG3 backplate onto the bezel assembly and secure with the four included Phillips screws (Fig. 3.3)
4. Reinstall the connector housing removed earlier. Secure the backplate with the ten included Phillips screws. (Fig. 3.4)
5. Place the metal bracket onto the radio display and secure it with the six Phillips screws provided with the radio. (Fig. 3.5)
6. Align the display assembly into the bezel and secure it with the four Phillips screws provided with the EDG3. (Fig. 3.6)
7. Install the four metal clips and rubber stops on to the back of the bezel. (Fig. 3.7)
8. Attach the climate vents on to the EDG3 assembly making sure the clips snap into place. (Fig. 3.8)
9. Install the CD slot cover provided with the EDG3. (Fig. 3.9)
10. Install in the pocket the correct size USB housing provided with the EDG3.
11. Mount the factory brackets to the aftermarket radio chassis. Align the center hole of the brackets with the mounting locations on the radio chassis and secure using the screws provided with the aftermarket radio. (Fig. 3.10)

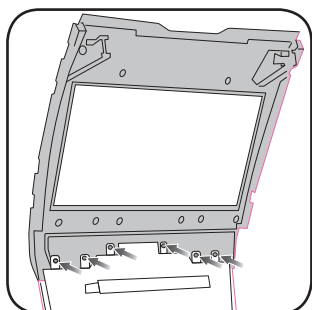


Fig. 3.1

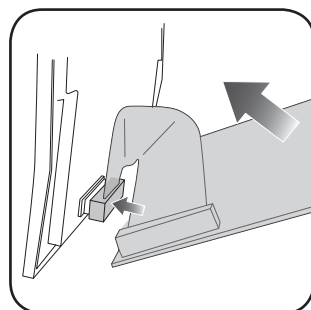


Fig. 3.2

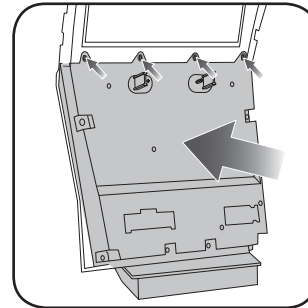


Fig. 3.3

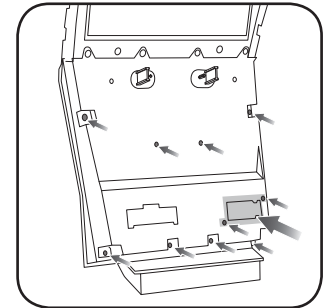


Fig. 3.4

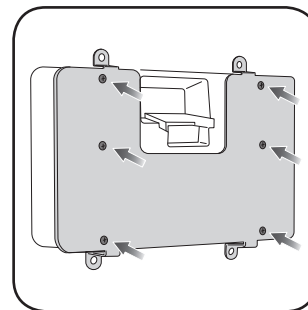


Fig. 3.5

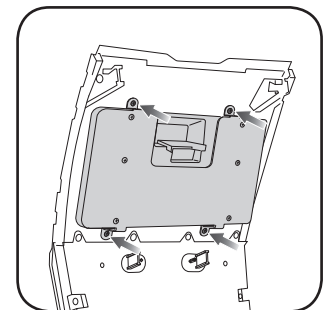


Fig. 3.6

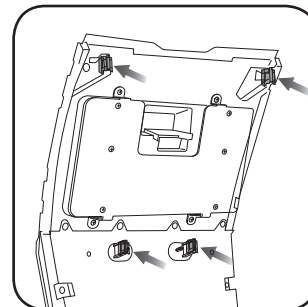


Fig. 3.7

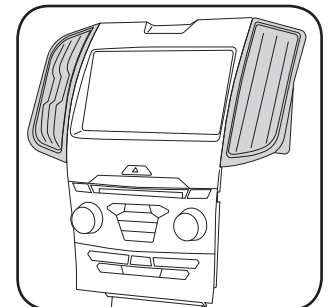


Fig. 3.8

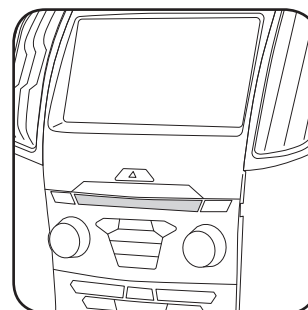


Fig. 3.9

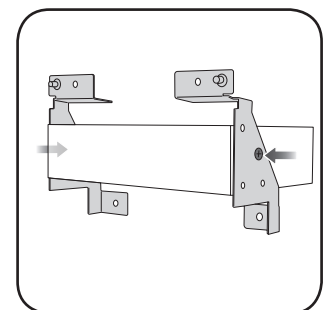


Fig. 3.10

INSTALLATION INSTRUCTIONS P4 / 4

MAKE CONNECTIONS (refer to wiring diagram)

1. If using head unit adapter (sold separately), connect HRR-EDG3 harness to adapter and skip to step 2.

- Locate aftermarket radio's main harness.
- Cut and remove the black 20 pin connector from the HRR-EDG3 T-harness and connect the wires, shown in the wiring diagram, from aftermarket radio main harness to the HRR-EDG3 T-harness and match the wire functions.

Note: only connect purple/white wire to radio reverse input or module damage will occur.

2. Connect the EDG3 harness to the main factory radio wiring harness.

- Connect the supplied antenna adapter to the black factory antenna connection.
- Connect the reverse camera harness to the factory display harness. Connect the yellow 2-pin plug to the main EDG3 harness.

3. Connect the secondary harness to the 54-pin SYNC module harness above glove box.

- Connect the black 2-pin plug to the main EDG3 harness.

4. Connect all harnesses to the Maestro RR module.

5. Route the T-harness assembly and antenna adapter to the upper dash cavity.

- Route the supplied USB-C or USB-A cables from the pocket location to the upper dash cavity.

Make all connections to the back of the aftermarket radio:

- Connect the antenna.
- Connect the camera RCA cable (in the BC IN or rear-view camera input).
- Connect the 4-pin data cable to the data port.
- Insert the audio cable into the iDatalink 3.5mm audio jack of the aftermarket radio (labeled iDatalink. If there is no iDatalink audio input, connect to AUX).

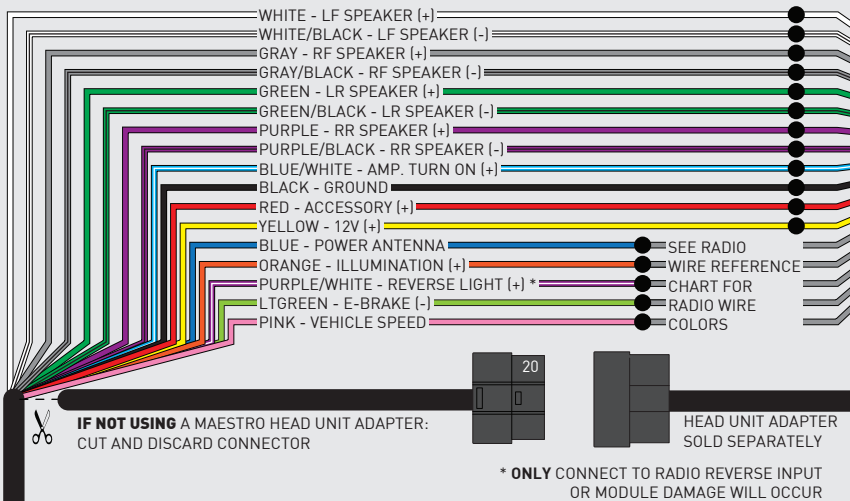
Note: When using a Pioneer radio, please ensure that there is nothing plugged into the W/R port of the radio.

Fit the radio into the dash cavity and secure it with the four 7mm screws removed earlier.

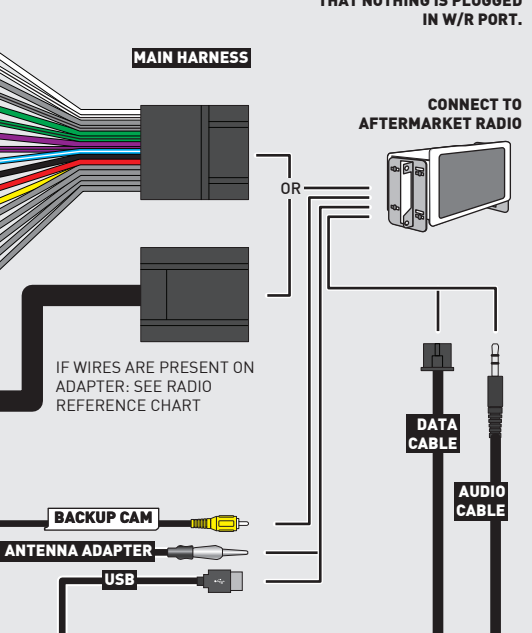
Assembly is the reverse order of disassembly. Make sure to install the two USB cables in the back of the pocket housing, making sure they click into place.

WIRING DIAGRAM

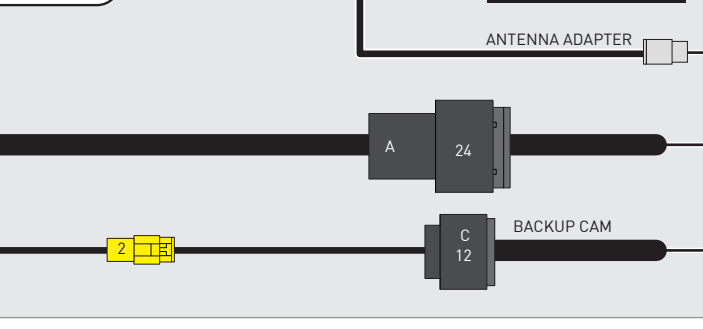
STEP 1



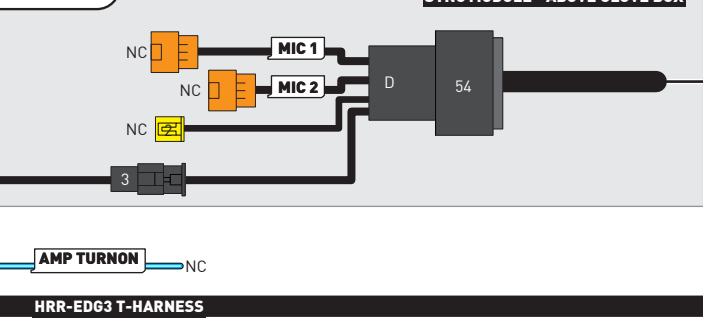
STEP 5



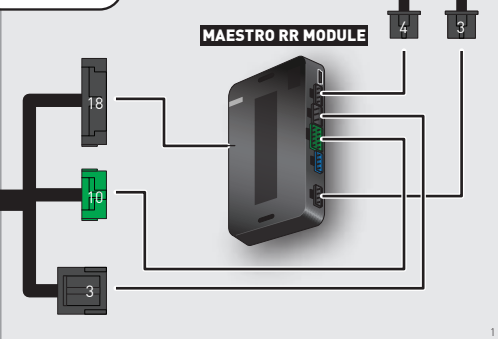
STEP 2



STEP 3



STEP 4



NOT REQUIRED



RADIO WIRE REFERENCE CHART

| EDG3 T-harness Wire Description | Polarity | Wire Color on Maestro T-Harness | Wire Color on Alpine cable | Wire Color on Kenwood/ JVC cable | Wire Color on Pioneer cable | Wire Color on Sony cable |
|------------------------------------|----------|------------------------------------|-------------------------------|-------------------------------------|--------------------------------|-----------------------------|
| Illumination | (+) | Orange | N/A | Orange/White | Orange/White | Orange |
| Reverse Light* | (+) | Purple/White | Orange/White | Purple/White | Purple/White | Purple/White |
| E-Brake | (-) | Lt Green | Yellow/Blue | Lt Green | Lt Green | Lt Green |
| VSS (vehicle speed sensor) | (DATA) | Pink | Green/White | Pink | Pink | N/A |
| Power Antenna | (+) | Blue | Blue | Blue | Blue/White | Blue or Blue/White |

Head unit adapter wiring (optional accessory, sold separately)

| ACC-HU-ALP1 Wire Description | Polarity | Wire Color on Adapter | Alpine Radio |
|---------------------------------|----------|-----------------------|--------------|
| VSS (vehicle speed sensor) | (DATA) | Green/White | Green/White |

| ACC-HU-KEN1 Wire Description | Polarity | Wire Color on Adapter | Kenwood Radio |
|---------------------------------|----------|-----------------------|------------------------------|
| CAM | (+) | Green/Red | Refer to camera/radio manual |
| CAM | (-) | Green/White | Refer to camera/radio manual |
| Steering Wheel Controls | (DATA) | Blue/Yellow | n/a |

| ACC-HU-KEN2 Wire Description | Polarity | Wire Color on Adapter | Kenwood Radio |
|---------------------------------|----------|-----------------------|---------------|
| E-Brake | (-) | LtGreen | LtGreen |
| Reverse Light* | (+) | Purple/White | Purple/White |
| Steering Wheel Controls | (DATA) | Blue/Yellow | n/a |

* Reverse light wire: Only connect to radio or module damage will occur.

MODULE DIAGNOSTICS



| LED 1 Module/Firmware status | LED 2 (RR2) Bluetooth activity | LED STATUS | DIAGNOSTIC |
|------------------------------------|-----------------------------------|-----------------------|--|
| or | | RED or GREEN flashing | LED flashes 1 or more times, either red or green, when a steering wheel button is pressed : normal operation. |
| | | 1 RED flash | Module has no firmware. Flash module using Weblink Desktop and log in. Do <u>NOT</u> use DEMO MODE. |
| | | 2 RED flashes | Problem detected. Consult troubleshooting table. |
| | | 1 GREEN flash | After radio boots up : Normal operation. |
| | | 3 GREEN flashes | Bluetooth is activated. Turns off after one minute: Normal operation. |
| | | OFF | Normal operation (inactive). |

| | | |
|------------------------------|--|--|
| VIDEO HELP | | Installation, product information, vehicle specific videos. |
| VERIFY FLASH | | Last flash information, steering control configuration, vehicle information. |
| WEBLINK | | Software to program module. |

TROUBLESHOOTING TABLE

| PROBLEM | SOLUTION |
|--|---|
| Gauges do not work, radio shows OBD2 Error 1 or Error 2. | <p>Ensure SYNC module connector is securely attached to the SYNC connector of the vehicle.</p> <p>If anything else is connected to the OBD2 or CAN wires of vehicle (programmer, throttle controller, insurance tracker, etc.) try unplugging it to see if gauges work. If gauges work without it installed, call tech support for options.</p> <p>Reset the RR.</p> |
| The light on the Maestro is blinking RED TWICE and the radio IS NOT turning on. | <p>If installing a modular radio and it is not turning on, ensure the screen is secured and any trim pieces on the radio have been installed fully. Not installing these fully will prevent radio from powering up and show a 2x red error as well.</p> <p>Test red and yellow wires for DC voltage at radio using a multimeter. Contact support if no voltage on red or yellow.</p> |
| The light on the Maestro is blinking RED TWICE and the radio IS turning on. | <p>Ensure the 4-pin data cable is connected between the radio and the RR, and that it is plugged into the black port on the Maestro RR. The red and blue ports on the RR should be empty.</p> <p>Make sure the correct radio model and serial number were entered during the flash. Verify the radio's serial number entered during the flash matches what is listed on the radio screen. This can be found in the settings of the radio, listed as Device Id, Device Number, or Serial Number.</p> |

MAESTRO RR RESET PROCEDURE:

Turn the key to the OFF position, then disconnect all connectors from the module.
 Press and hold the module's programming button and connect all the connectors back to the module. Wait, the module's LED will flash RED rapidly (this may take up to 10 seconds).
 Release the programming button. Wait, the LED will turn solid GREEN for 2 seconds to show the reset was successful.

TECHNICAL ASSISTANCE

Phone: 1-866-427-2999
 Email: maestro.support@idatalink.com

IMPORTANT: To ensure proper operation, the aftermarket radio needs to have the latest firmware from the manufacturer. Please visit the radio manufacturer's website and look for any updates pertaining to your radio.

RETAINS STEERING WHEEL CONTROLS, FACTORY AMPLIFIER, AND MORE!



**HEAD UNIT
ADAPTER READY KIT**



PRODUCTS REQUIRED

iDataLink Maestro RR or RR2 Radio Replacement Interface
iDataLink Maestro EDG3 Dash Kit

PROGRAMMED FIRMWARE

ADS-RR(SR)-FOR02C-DS

ADDITIONAL RESOURCES

[Maestro RR2 Programmable Outputs Guide](#)

OPTIONAL ACCESSORIES



Click here for:
[Radar Installation Guides](#)

HEAD UNIT ADAPTER:
ACC-HU-PI01, SON1, KEN1, KEN2, ALP1

WELCOME

Congratulations on the purchase of your iDatalink Maestro RR Radio replacement solution. You are now a few simple steps away from enjoying your new car radio with enhanced features.

Before starting your installation, please ensure that your iDatalink Maestro module is programmed with the correct firmware for your vehicle and that you carefully review the install guide.

Please note that Maestro RR will only retain functionalities that were originally available in the vehicle.

TABLE OF CONTENTS

| | |
|----------------------------|----|
| Installation Instructions | 3 |
| Wiring Diagram | 7 |
| Radio Wire Reference Chart | 8 |
| Module Diagnostics | 9 |
| Troubleshooting Table | 10 |

NEED HELP?

 1 866 427-2999

 maestro.support@idatalink.com

INSTALLATION INSTRUCTIONS P1/4

DASH DISASSEMBLY

NOTE: Compatible modular 8 or 9" radio required.

1. Using a panel tool, carefully pry outward on the center console trim panels. (Fig. 1.1)
2. Engage the parking brake, turn the ignition ON, and place the shifter in drive. Lift the upper center console trim panel, disconnect the two wiring harnesses, and remove the panel. (Fig. 1.2)
3. Pull down on the shifter boot (Fig. 1.3) and remove the two Phillips screws securing the shifter in place. Remove the shift knob. (Fig. 1.4)
4. Remove the four 7mm screws securing the storage pocket. Disconnect the wiring harness and USB cables. (Fig. 1.5)
5. Remove the five 7mm screws securing the shifter carriage. Disconnect the wire harness and remove the carriage. (Fig. 1.6)
6. Place the transmission into park and turn the ignition off.
7. Remove the two 7mm screws at the base of the radio bezel. Using a panel tool, gently pry outward on the radio bezel to release the clips securing it. Disconnect the wire harnesses from the back. (Fig. 1.7)
8. Remove the four 7mm screws securing the radio display. Remove the radio display and disconnect the wiring harness, USB cable, and antenna connections. Remove the two 7mm screws at the bottom of the audio control module. Disconnect the wire harnesses. Remove the audio control module. (Fig. 1.8)

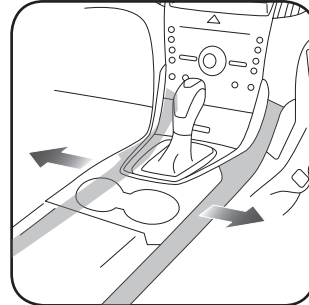


Fig. 1.1

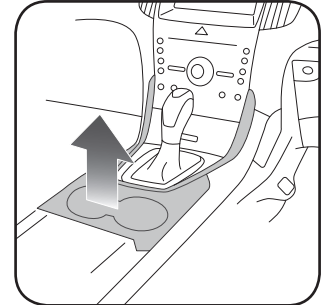


Fig. 1.2

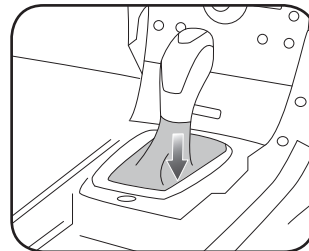


Fig. 1.3

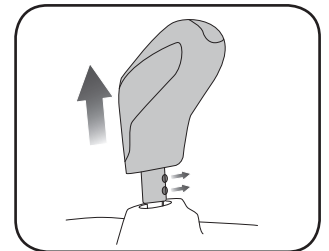


Fig. 1.4

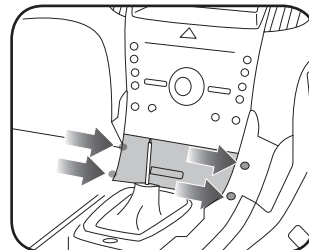


Fig. 1.5

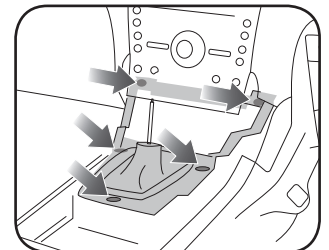


Fig. 1.6

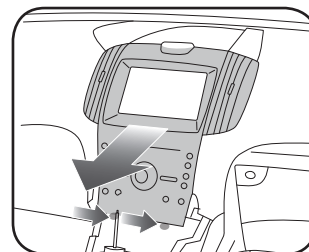


Fig. 1.7

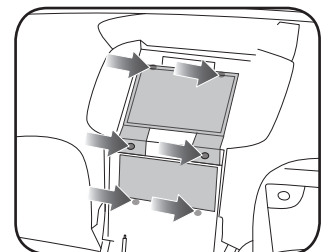


Fig. 1.8

INSTALLATION INSTRUCTIONS P2/4

DISASSEMBLE FACTORY RADIO

1. Remove the climate vents from the bezel assembly by releasing the two clips securing them. (Fig. 2.1)
2. Remove the eighteen T9 Torx screws securing the backplate. Remove the connector housing. (Fig. 2.2)
3. Remove the backplate from the bezel (Fig. 2.3)
4. Pull outward on the ribbon cable connector at the top of the climate control board. (Fig. 2.4)
5. Flip the climate board down to expose the ribbon cable on the back side. (Fig. 2.5)
6. Pull outward to disconnect the ribbon cable. (Fig. 2.6)
7. Remove the six T6 Torx screws securing the upper bezel to the climate controls and remove the upper radio bezel. This will not be used. (Fig. 2.7)
8. Remove the factory USB housing from the pocket. Depress the four tabs using a small pick tool. (Fig. 2.8)

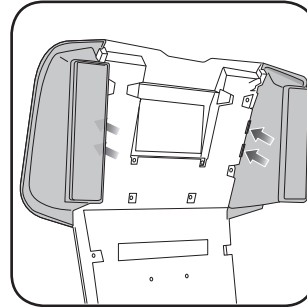


Fig. 2.1

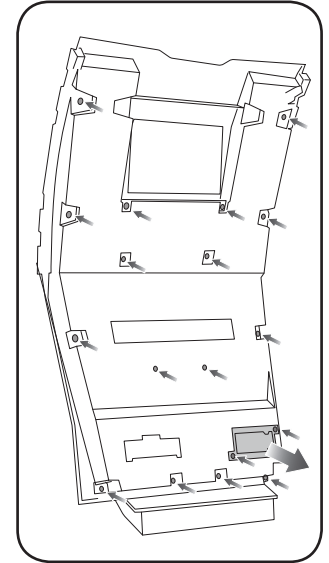


Fig. 2.2

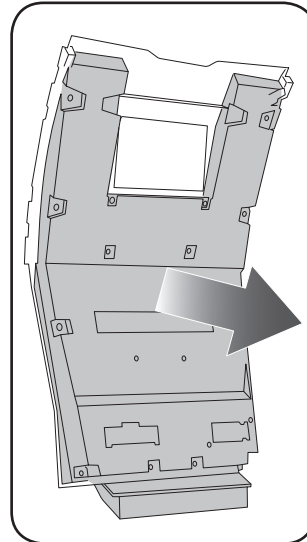


Fig. 2.3

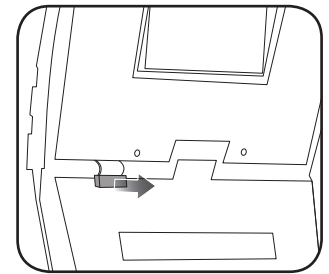


Fig. 2.4

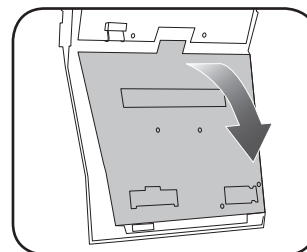


Fig. 2.5

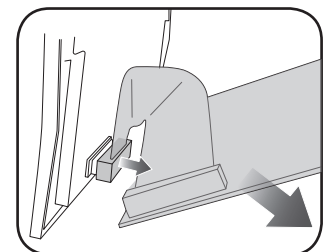


Fig. 2.6

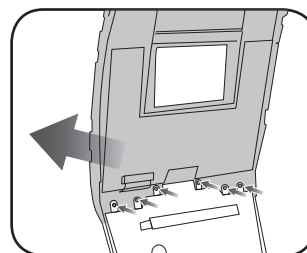


Fig. 2.7

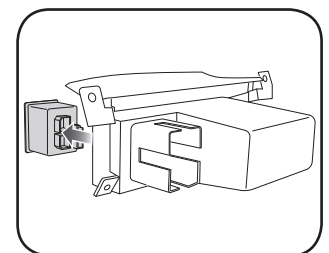


Fig. 2.8

INSTALLATION INSTRUCTIONS P3/4

ASSEMBLE THE EDG3 DASH KIT

1. Place the EDG3 display trim onto the factory climate bezel. Secure it with the six included Phillips screws. (Fig. 3.1)
2. Reconnect the climate control board to the climate housing. (Fig. 3.2)
3. Snap the EDG3 backplate onto the bezel assembly and secure with the four included Phillips screws (Fig. 3.3)
4. Reinstall the connector housing removed earlier. Secure the backplate with the ten included Phillips screws. (Fig. 3.4)
5. Place the metal bracket onto the radio display and secure it with the six Phillips screws provided with the radio. (Fig. 3.5)
6. Align the display assembly into the bezel and secure it with the four Phillips screws provided with the EDG3. (Fig. 3.6)
7. Install the four metal clips and rubber stops on to the back of the bezel. (Fig. 3.7)
8. Attach the climate vents on to the EDG3 assembly making sure the clips snap into place. (Fig. 3.8)
9. Install in the pocket the correct size USB housing provided with the EDG3.
10. Mount the factory brackets to the aftermarket radio chassis. Align the center hole of the brackets with the mounting locations on the radio chassis and secure using the screws provided with the aftermarket radio. (Fig. 3.10)

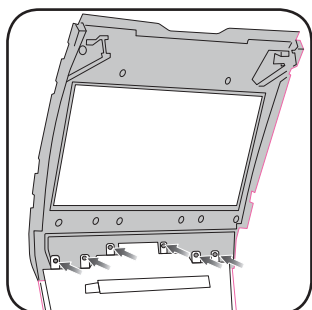


Fig. 3.1

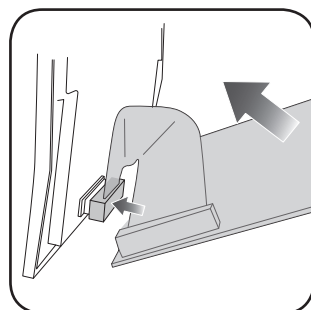


Fig. 3.2

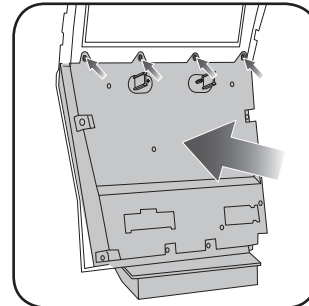


Fig. 3.3

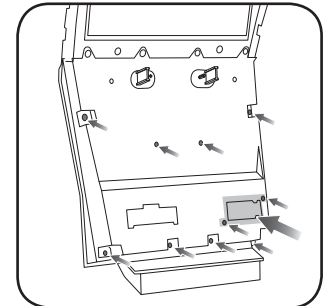


Fig. 3.4

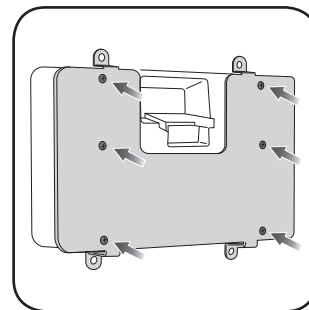


Fig. 3.5

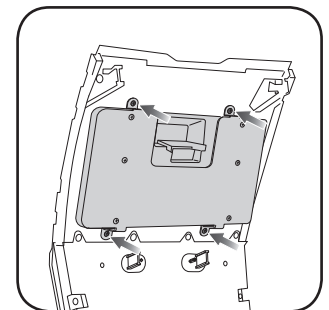


Fig. 3.6

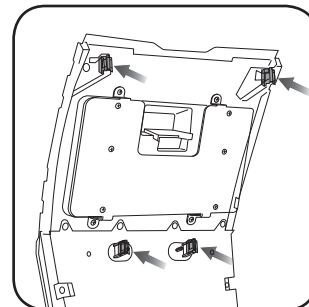


Fig. 3.7

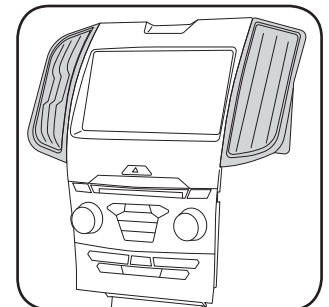


Fig. 3.8

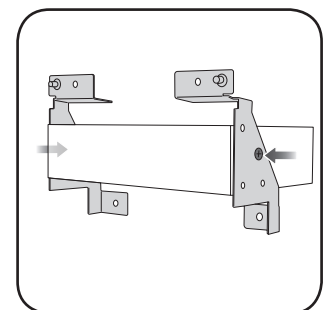


Fig. 3.10

INSTALLATION INSTRUCTIONS P4/4

MAKE CONNECTIONS (refer to wiring diagram)

1. If using head unit adapter (sold separately), connect HRR-EDG3 harness to adapter and skip to step 2.

- Locate aftermarket radio's main harness.
- Cut and remove the black 20 pin connector from the HRR-EDG3 T-harness and connect the wires, shown in the wiring diagram, from aftermarket radio main harness to the HRR-EDG3 T-harness and match the wire functions.

Note: only connect purple/white wire to radio reverse input or module damage will occur.

2. Connect the EDG3 harness to the main factory radio wiring harness.

- Connect the supplied antenna adapter to the black factory antenna connection.
- Connect the secondary harness to the 54-pin SYNC module harness behind radio.
- Connect the black and yellow 2-pin plugs to the main EDG3 harness.

3. Connect all harnesses to the Maestro RR module.

4. Route the T-harness assembly and antenna adapter to the upper dash cavity.

- Route the supplied USB-C or USB-A cables from the pocket location to the upper dash cavity.

Make all connections to the back of the aftermarket radio:

- Connect the antenna.
- Connect the camera RCA cable (in the BC IN or rear-view camera input).
- Connect the 4-pin data cable to the data port.
- Insert the audio cable into the iDatalink 3.5mm audio jack of the aftermarket radio (labeled iDatalink. If there is no iDatalink audio input, connect to AUX).

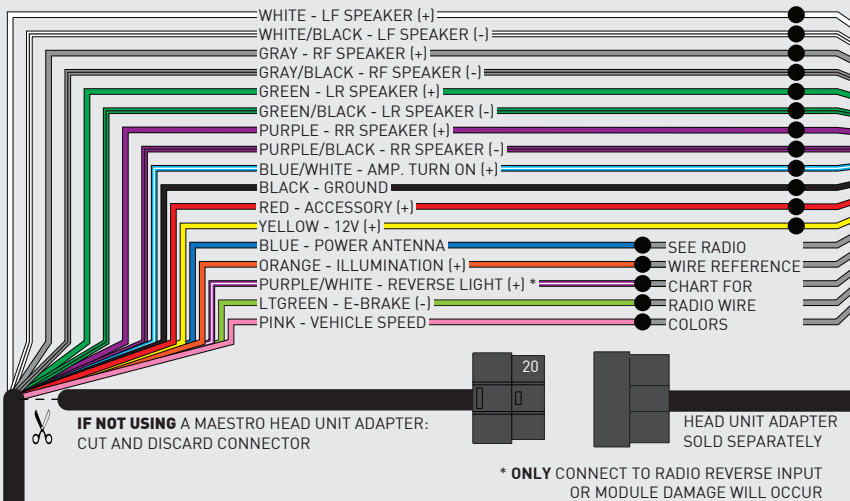
Note: When using a Pioneer radio, please ensure that there is nothing plugged into the W/R port of the radio.

Fit the radio into the dash cavity and secure it with the four 7mm screws removed earlier.

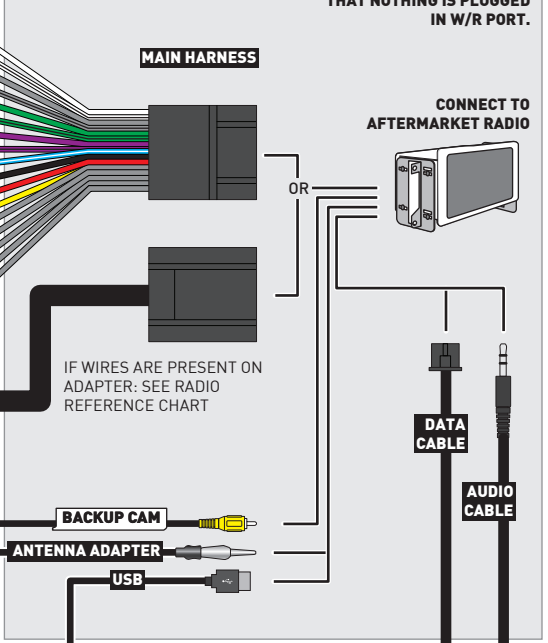
Assembly is the reverse order of disassembly. Make sure to install the two USB cables in the back of the pocket housing, making sure they click into place.

WIRING DIAGRAM

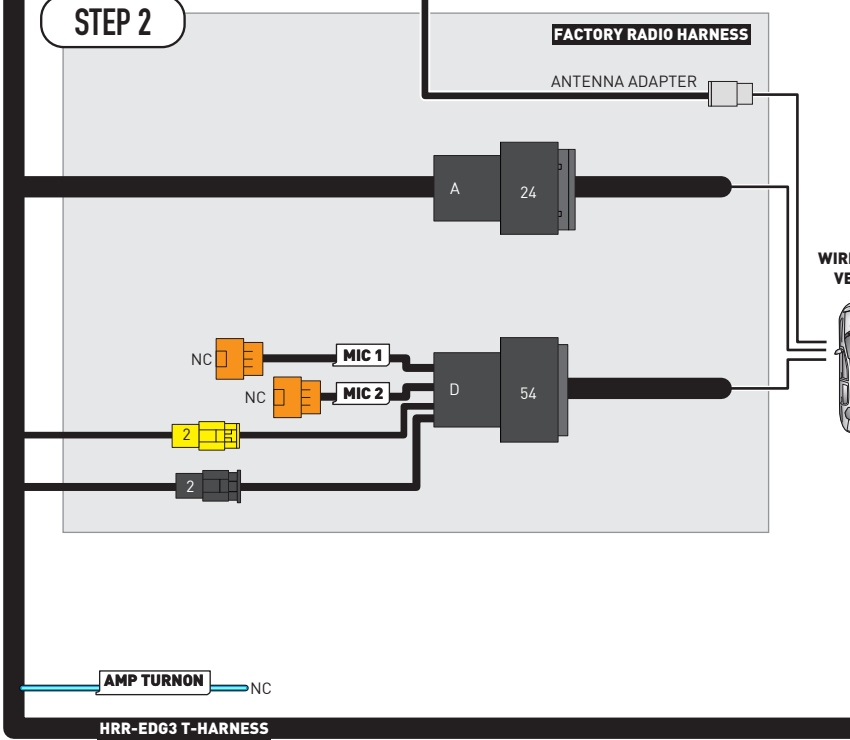
STEP 1



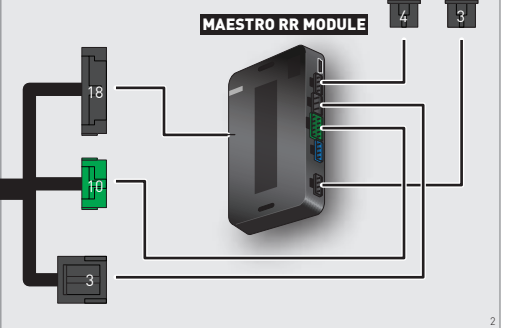
STEP 5



STEP 2



STEP 4



RADIO WIRE REFERENCE CHART

| EDG3 T-harness Wire Description | Polarity | Wire Color on Maestro T-Harness | Wire Color on Alpine cable | Wire Color on Kenwood/ JVC cable | Wire Color on Pioneer cable | Wire Color on Sony cable |
|------------------------------------|----------|------------------------------------|-------------------------------|-------------------------------------|--------------------------------|-----------------------------|
| Illumination | (+) | Orange | N/A | Orange/White | Orange/White | Orange |
| Reverse Light* | (+) | Purple/White | Orange/White | Purple/White | Purple/White | Purple/White |
| E-Brake | (-) | Lt Green | Yellow/Blue | Lt Green | Lt Green | Lt Green |
| VSS (vehicle speed sensor) | (DATA) | Pink | Green/White | Pink | Pink | N/A |
| Power Antenna | (+) | Blue | Blue | Blue | Blue/White | Blue or Blue/White |

Head unit adapter wiring (optional accessory, sold separately)

| ACC-HU-ALP1 Wire Description | Polarity | Wire Color on Adapter | Alpine Radio |
|---------------------------------|----------|-----------------------|--------------|
| VSS (vehicle speed sensor) | (DATA) | Green/White | Green/White |

| ACC-HU-KEN1 Wire Description | Polarity | Wire Color on Adapter | Kenwood Radio |
|---------------------------------|----------|-----------------------|------------------------------|
| CAM | (+) | Green/Red | Refer to camera/radio manual |
| CAM | (-) | Green/White | Refer to camera/radio manual |
| Steering Wheel Controls | (DATA) | Blue/Yellow | n/a |

| ACC-HU-KEN2 Wire Description | Polarity | Wire Color on Adapter | Kenwood Radio |
|---------------------------------|----------|-----------------------|---------------|
| E-Brake | (-) | LtGreen | LtGreen |
| Reverse Light* | (+) | Purple/White | Purple/White |
| Steering Wheel Controls | (DATA) | Blue/Yellow | n/a |

* Reverse light wire: Only connect to radio or module damage will occur.

MODULE DIAGNOSTICS



| LED 1 Module/Firmware status | LED 2 (RR2) Bluetooth activity | LED STATUS | DIAGNOSTIC |
|------------------------------------|-----------------------------------|-----------------------|--|
| or | | RED or GREEN flashing | LED flashes 1 or more times, either red or green, when a steering wheel button is pressed : normal operation. |
| | | 1 RED flash | Module has no firmware. Flash module using Weblink Desktop and log in. Do <u>NOT</u> use DEMO MODE. |
| | | 2 RED flashes | Problem detected. Consult troubleshooting table. |
| | | 1 GREEN flash | After radio boots up : Normal operation. |
| | | 3 GREEN flashes | Bluetooth is activated. Turns off after one minute: Normal operation. |
| | | OFF | Normal operation (inactive). |

| | | |
|------------------------------|--|--|
| VIDEO HELP | | Installation, product information, vehicle specific videos. |
| VERIFY FLASH | | Last flash information, steering control configuration, vehicle information. |
| WEBLINK | | Software to program module. |

TROUBLESHOOTING TABLE

| PROBLEM | SOLUTION |
|--|---|
| Gauges do not work, radio shows OBD2 Error 1 or Error 2. | <p>Ensure SYNC module connector is securely attached to the SYNC connector of the vehicle.</p> <p>If anything else is connected to the OBD2 or CAN wires of vehicle (programmer, throttle controller, insurance tracker, etc.) try unplugging it to see if gauges work. If gauges work without it installed, call tech support for options.</p> <p>Reset the RR.</p> |
| The light on the Maestro is blinking RED TWICE and the radio IS NOT turning on. | <p>If installing a modular radio and it is not turning on, ensure the screen is secured and any trim pieces on the radio have been installed fully. Not installing these fully will prevent radio from powering up and show a 2x red error as well.</p> <p>Test red and yellow wires for DC voltage at radio using a multimeter. Contact support if no voltage on red or yellow.</p> |
| The light on the Maestro is blinking RED TWICE and the radio IS turning on. | <p>Ensure the 4-pin data cable is connected between the radio and the RR, and that it is plugged into the black port on the Maestro RR. The red and blue ports on the RR should be empty.</p> <p>Make sure the correct radio model and serial number were entered during the flash. Verify the radio's serial number entered during the flash matches what is listed on the radio screen. This can be found in the settings of the radio, listed as Device Id, Device Number, or Serial Number.</p> |

MAESTRO RR RESET PROCEDURE:

Turn the key to the OFF position, then disconnect all connectors from the module.
 Press and hold the module's programming button and connect all the connectors back to the module. Wait, the module's LED will flash RED rapidly (this may take up to 10 seconds).
 Release the programming button. Wait, the LED will turn solid GREEN for 2 seconds to show the reset was successful.

TECHNICAL ASSISTANCE

Phone: 1-866-427-2999
 Email: maestro.support@idatalink.com

IMPORTANT: To ensure proper operation, the aftermarket radio needs to have the latest firmware from the manufacturer. Please visit the radio manufacturer's website and look for any updates pertaining to your radio.

RETAINS STEERING WHEEL CONTROLS, FACTORY AMPLIFIER, AND MORE!



**HEAD UNIT
ADAPTER READY KIT**



PRODUCTS REQUIRED

iDatalink Maestro RR or RR2 Radio Replacement Interface
iDatalink Maestro EDG3 Dash Kit

PROGRAMMED FIRMWARE

ADS-RR(SR)-FOR02C-DS

ADDITIONAL RESOURCES

[Maestro RR2 Programmable Outputs Guide](#)

OPTIONAL ACCESSORIES



Click here for:
[Radar Installation Guides](#)

HEAD UNIT ADAPTER:
ACC-HU-PI01, SON1, KEN1, KEN2, ALP1

WELCOME

Congratulations on the purchase of your iDatalink Maestro RR Radio replacement solution. You are now a few simple steps away from enjoying your new car radio with enhanced features.

Before starting your installation, please ensure that your iDatalink Maestro module is programmed with the correct firmware for your vehicle and that you carefully review the install guide.

Please note that Maestro RR will only retain functionalities that were originally available in the vehicle.

TABLE OF CONTENTS

| | |
|----------------------------|----|
| Installation Instructions | 3 |
| Wiring Diagram | 7 |
| Radio Wire Reference Chart | 8 |
| Module Diagnostics | 9 |
| Troubleshooting Table | 10 |

NEED HELP?

 1 866 427-2999

 maestro.support@idatalink.com

INSTALLATION INSTRUCTIONS P1/4

DASH DISASSEMBLY

NOTE: Compatible modular 8 or 9" radio required.

1. Using a panel tool, carefully pry outward on the center console trim panels. (Fig. 1.1)
2. Engage the parking brake, turn the ignition ON, and place the shifter in drive. Lift the upper center console trim panel, disconnect the two wiring harnesses, and remove the panel. (Fig. 1.2)
3. Pull down on the shifter boot (Fig. 1.3) and remove the two Phillips screws securing the shifter in place. Remove the shift knob. (Fig. 1.4)
4. Remove the four 7mm screws securing the storage pocket. Disconnect the wiring harness and USB cables. (Fig. 1.5)
5. Remove the five 7mm screws securing the shifter carriage. Disconnect the wire harness and remove the carriage. (Fig. 1.6)
6. Place the transmission into park and turn the ignition off.
7. Remove the two 7mm screws at the base of the radio bezel. Using a panel tool, gently pry outward on the radio bezel to release the clips securing it. Disconnect the wire harnesses from the back. (Fig. 1.7)
8. Remove the four 7mm screws securing the radio display. Disconnect the wiring harness and remove the display. Remove the two 7mm screws at the bottom of the CD player. Disconnect the wire harnesses and antenna connections. Remove the CD player. (Fig. 1.8)

Remove the four screws securing the brackets on each side of the CD player. Keep the brackets for later use.

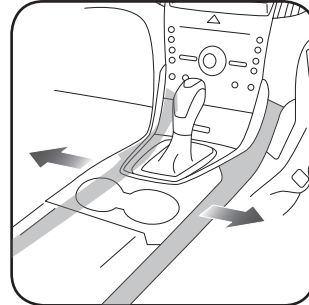


Fig. 1.1

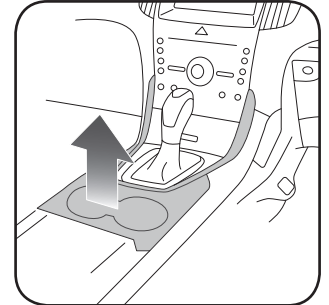


Fig. 1.2

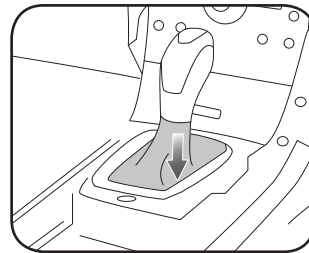


Fig. 1.3

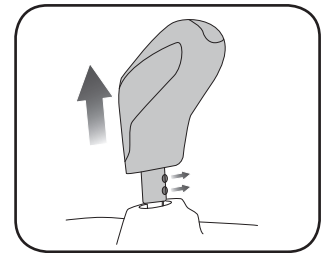


Fig. 1.4

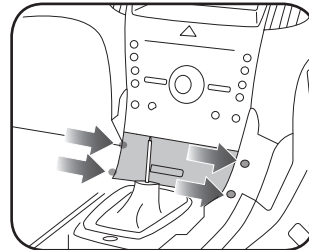


Fig. 1.5

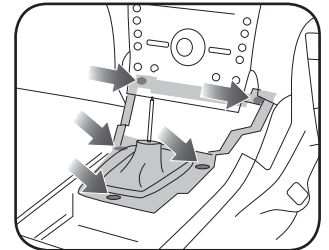


Fig. 1.6

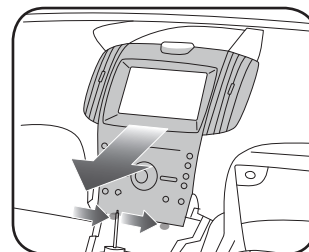


Fig. 1.7

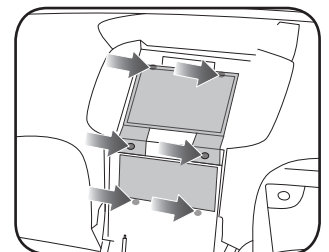


Fig. 1.8

INSTALLATION INSTRUCTIONS P2/4

DISASSEMBLE FACTORY RADIO

1. Remove the climate vents from the bezel assembly by releasing the two clips securing them. (Fig. 2.1)
2. Remove the eighteen T9 Torx screws securing the backplate. Remove the connector housing. (Fig. 2.2)
3. Remove the backplate from the bezel (Fig. 2.3)
4. Pull outward on the ribbon cable connector at the top of the climate control board. (Fig. 2.4)
5. Flip the climate board down to expose the ribbon cable on the back side. (Fig. 2.5)
6. Pull outward to disconnect the ribbon cable. (Fig. 2.6)
7. Remove the six T6 Torx screws securing the upper bezel to the climate controls and remove the upper radio bezel. This will not be used. (Fig. 2.7)
8. Remove the factory USB housing from the pocket. Depress the four tabs using a small pick tool. (Fig. 2.8)

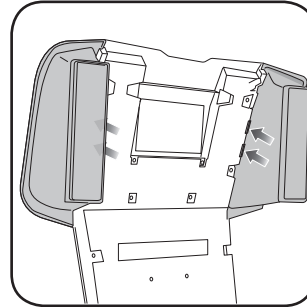


Fig. 2.1

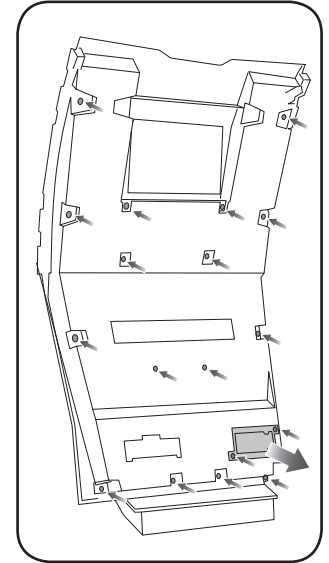


Fig. 2.2

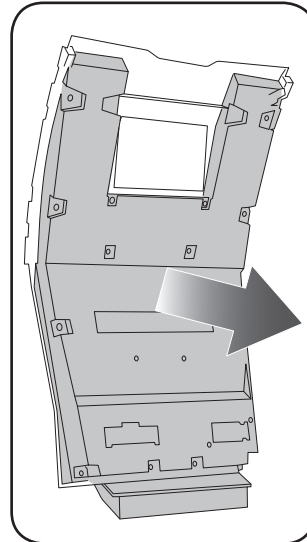


Fig. 2.3

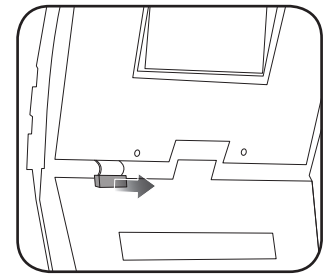


Fig. 2.4

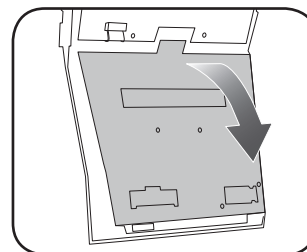


Fig. 2.5

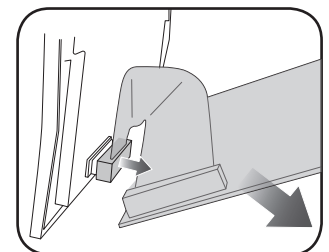


Fig. 2.6

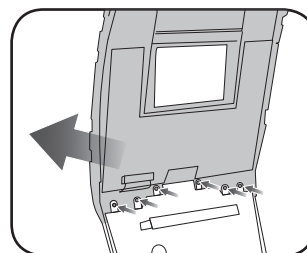


Fig. 2.7

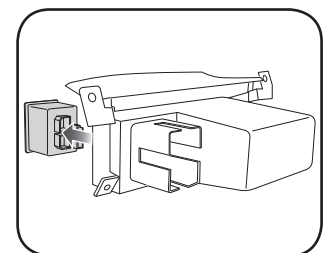


Fig. 2.8

INSTALLATION INSTRUCTIONS P3/4

ASSEMBLE THE EDG3 DASH KIT

1. Place the EDG3 display trim onto the factory climate bezel. Secure it with the six included Phillips screws. (Fig. 3.1)
2. Reconnect the climate control board to the climate housing. (Fig. 3.2)
3. Snap the EDG3 backplate onto the bezel assembly and secure with the four included Phillips screws (Fig. 3.3)
4. Reinstall the connector housing removed earlier. Secure the backplate with the ten included Phillips screws. (Fig. 3.4)
5. Place the metal bracket onto the radio display and secure it with the six Phillips screws provided with the radio. (Fig. 3.5)
6. Align the display assembly into the bezel and secure it with the four Phillips screws provided with the EDG3. (Fig. 3.6)
7. Install the four metal clips and rubber stops on to the back of the bezel. (Fig. 3.7)
8. Attach the climate vents on to the EDG3 assembly making sure the clips snap into place. (Fig. 3.8)
9. Install the CD slot cover provided with the EDG3. (Fig. 3.9)
10. Install in the pocket the correct size USB housing provided with the EDG3.
11. Mount the factory brackets to the aftermarket radio chassis. Align the center hole of the brackets with the mounting locations on the radio chassis and secure using the screws provided with the aftermarket radio. (Fig. 3.10)

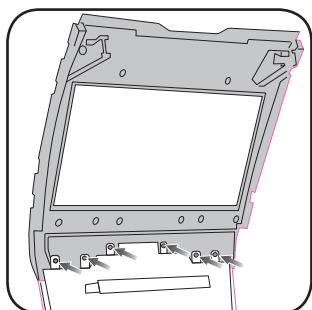


Fig. 3.1

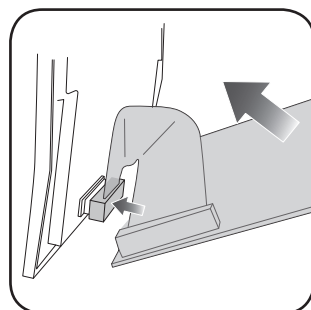


Fig. 3.2

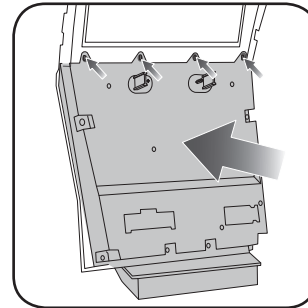


Fig. 3.3

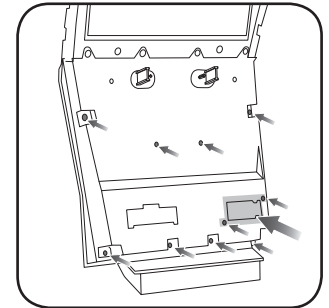


Fig. 3.4

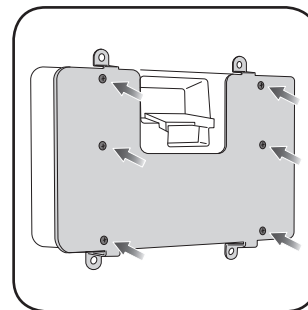


Fig. 3.5

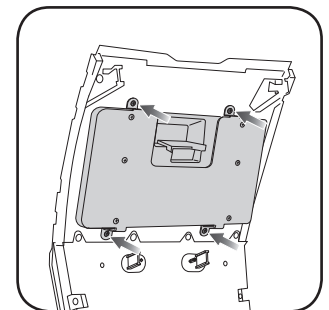


Fig. 3.6

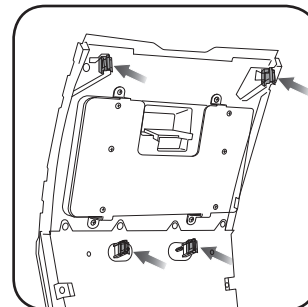


Fig. 3.7

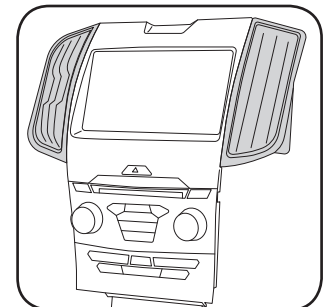


Fig. 3.8

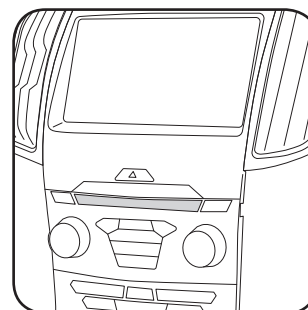


Fig. 3.9

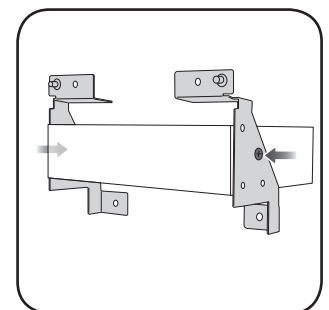


Fig. 3.10

INSTALLATION INSTRUCTIONS P4 / 4

MAKE CONNECTIONS (refer to wiring diagram)

1. If using head unit adapter (sold separately), connect HRR-EDG3 harness to adapter and skip to step 2.

- Locate aftermarket radio's main harness.
- Cut and remove the black 20 pin connector from the HRR-EDG3 T-harness and connect the wires, shown in the wiring diagram, from aftermarket radio main harness to the HRR-EDG3 T-harness and match the wire functions.

Note: only connect purple/white wire to radio reverse input or module damage will occur.

2. Connect the EDG3 harness to the main factory radio wiring harness.

- Connect the supplied antenna adapter to the black factory antenna connection.
- Connect the reverse camera harness to the factory display harness. Connect the yellow 2-pin plug to the main EDG3 harness.
- Connect the secondary harness to the 54-pin SYNC module harness behind radio.
- Connect the black 2-pin plug to the main EDG3 harness.

3. Connect all harnesses to the Maestro RR module.

4. Route the T-harness assembly and antenna adapter to the upper dash cavity.

- Route the supplied USB-C or USB-A cables from the pocket location to the upper dash cavity.

Make all connections to the back of the aftermarket radio:

- Connect the antenna.
- Connect the camera RCA cable (in the BC IN or rear-view camera input).
- Connect the 4-pin data cable to the data port.
- Insert the audio cable into the iDatalink 3.5mm audio jack of the aftermarket radio (labeled iDatalink. If there is no iDatalink audio input, connect to AUX).

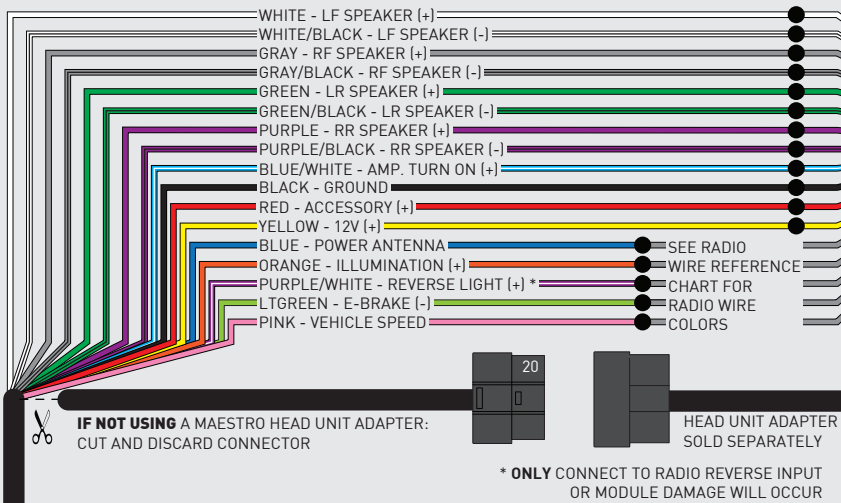
Note: When using a Pioneer radio, please ensure that there is nothing plugged into the W/R port of the radio.

Fit the radio into the dash cavity and secure it with the four 7mm screws removed earlier.

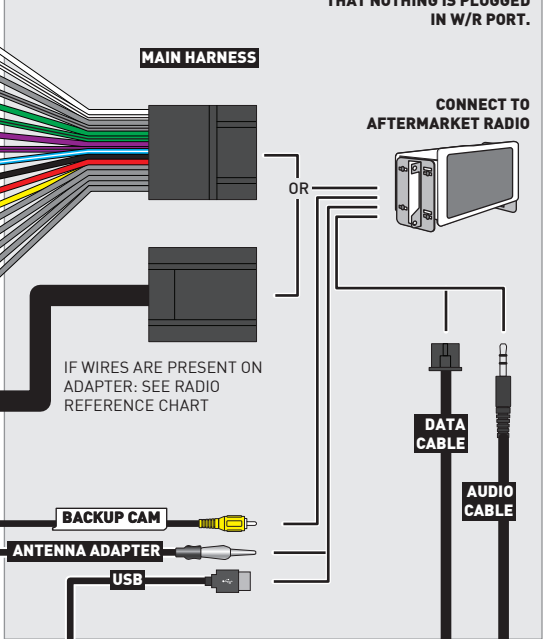
Assembly is the reverse order of disassembly. Make sure to install the two USB cables in the back of the pocket housing, making sure they click into place.

WIRING DIAGRAM

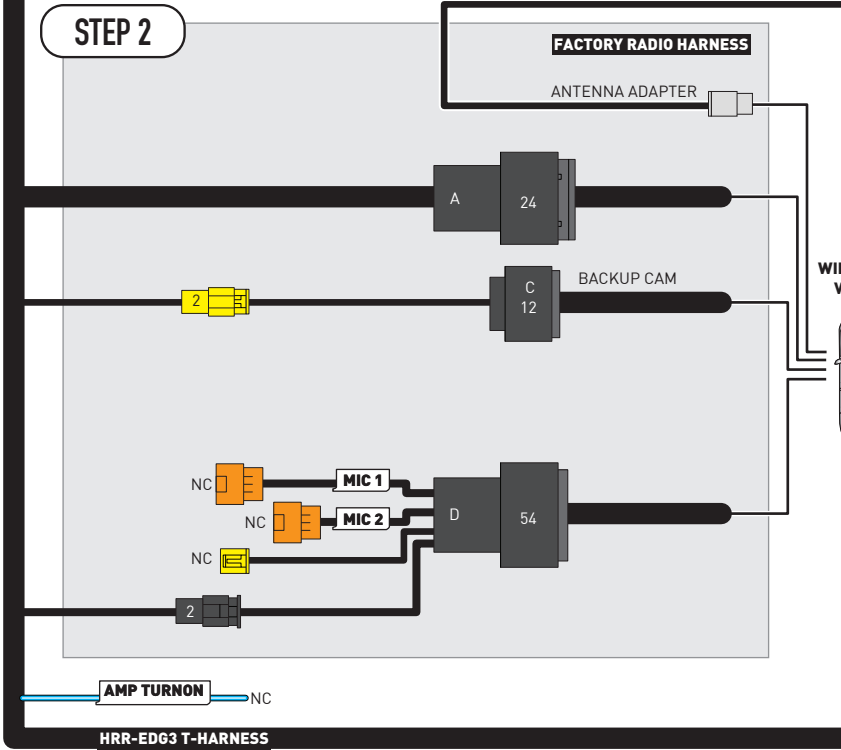
STEP 1



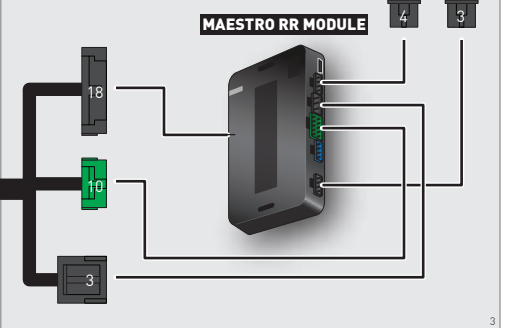
STEP 5



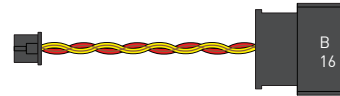
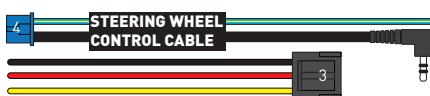
STEP 2



STEP 4



NOT REQUIRED



RADIO WIRE REFERENCE CHART

| EDG3 T-harness Wire Description | Polarity | Wire Color on Maestro T-Harness | Wire Color on Alpine cable | Wire Color on Kenwood/ JVC cable | Wire Color on Pioneer cable | Wire Color on Sony cable |
|------------------------------------|----------|------------------------------------|-------------------------------|-------------------------------------|--------------------------------|-----------------------------|
| Illumination | (+) | Orange | N/A | Orange/White | Orange/White | Orange |
| Reverse Light* | (+) | Purple/White | Orange/White | Purple/White | Purple/White | Purple/White |
| E-Brake | (-) | Lt Green | Yellow/Blue | Lt Green | Lt Green | Lt Green |
| VSS (vehicle speed sensor) | (DATA) | Pink | Green/White | Pink | Pink | N/A |
| Power Antenna | (+) | Blue | Blue | Blue | Blue/White | Blue or Blue/White |

Head unit adapter wiring (optional accessory, sold separately)

| ACC-HU-ALP1 Wire Description | Polarity | Wire Color on Adapter | Alpine Radio |
|---------------------------------|----------|-----------------------|--------------|
| VSS (vehicle speed sensor) | (DATA) | Green/White | Green/White |

| ACC-HU-KEN1 Wire Description | Polarity | Wire Color on Adapter | Kenwood Radio |
|---------------------------------|----------|-----------------------|------------------------------|
| CAM | (+) | Green/Red | Refer to camera/radio manual |
| CAM | (-) | Green/White | Refer to camera/radio manual |
| Steering Wheel Controls | (DATA) | Blue/Yellow | n/a |

| ACC-HU-KEN2 Wire Description | Polarity | Wire Color on Adapter | Kenwood Radio |
|---------------------------------|----------|-----------------------|---------------|
| E-Brake | (-) | LtGreen | LtGreen |
| Reverse Light* | (+) | Purple/White | Purple/White |
| Steering Wheel Controls | (DATA) | Blue/Yellow | n/a |

* Reverse light wire: Only connect to radio or module damage will occur.

MODULE DIAGNOSTICS



| LED 1 Module/Firmware status | LED 2 (RR2) Bluetooth activity | LED STATUS | DIAGNOSTIC |
|------------------------------------|-----------------------------------|-----------------------|--|
| or | | RED or GREEN flashing | LED flashes 1 or more times, either red or green, when a steering wheel button is pressed : normal operation. |
| | | 1 RED flash | Module has no firmware. Flash module using Weblink Desktop and log in. Do <u>NOT</u> use DEMO MODE. |
| | | 2 RED flashes | Problem detected. Consult troubleshooting table. |
| | | 1 GREEN flash | After radio boots up : Normal operation. |
| | | 3 GREEN flashes | Bluetooth is activated. Turns off after one minute: Normal operation. |
| | | OFF | Normal operation (inactive). |

| | | |
|------------------------------|--|--|
| VIDEO HELP | | Installation, product information, vehicle specific videos. |
| VERIFY FLASH | | Last flash information, steering control configuration, vehicle information. |
| WEBLINK | | Software to program module. |

TROUBLESHOOTING TABLE

| PROBLEM | SOLUTION |
|--|---|
| Gauges do not work, radio shows OBD2 Error 1 or Error 2. | <p>Ensure SYNC module connector is securely attached to the SYNC connector of the vehicle.</p> <p>If anything else is connected to the OBD2 or CAN wires of vehicle (programmer, throttle controller, insurance tracker, etc.) try unplugging it to see if gauges work. If gauges work without it installed, call tech support for options.</p> <p>Reset the RR.</p> |
| The light on the Maestro is blinking RED TWICE and the radio IS NOT turning on. | <p>If installing a modular radio and it is not turning on, ensure the screen is secured and any trim pieces on the radio have been installed fully. Not installing these fully will prevent radio from powering up and show a 2x red error as well.</p> <p>Test red and yellow wires for DC voltage at radio using a multimeter. Contact support if no voltage on red or yellow.</p> |
| The light on the Maestro is blinking RED TWICE and the radio IS turning on. | <p>Ensure the 4-pin data cable is connected between the radio and the RR, and that it is plugged into the black port on the Maestro RR. The red and blue ports on the RR should be empty.</p> <p>Make sure the correct radio model and serial number were entered during the flash. Verify the radio's serial number entered during the flash matches what is listed on the radio screen. This can be found in the settings of the radio, listed as Device Id, Device Number, or Serial Number.</p> |

MAESTRO RR RESET PROCEDURE:

Turn the key to the OFF position, then disconnect all connectors from the module.
 Press and hold the module's programming button and connect all the connectors back to the module. Wait, the module's LED will flash RED rapidly (this may take up to 10 seconds).
 Release the programming button. Wait, the LED will turn solid GREEN for 2 seconds to show the reset was successful.

TECHNICAL ASSISTANCE

Phone: 1-866-427-2999
 Email: maestro.support@idatalink.com

IMPORTANT: To ensure proper operation, the aftermarket radio needs to have the latest firmware from the manufacturer. Please visit the radio manufacturer's website and look for any updates pertaining to your radio.

RETAINS STEERING WHEEL CONTROLS, FACTORY AMPLIFIER, AND MORE!



HEAD UNIT
ADAPTER READY KIT



PRODUCTS REQUIRED

iDataLink Maestro RR or RR2 Radio Replacement Interface
iDataLink Maestro EDG3 Dash Kit

PROGRAMMED FIRMWARE

ADS-RR(SR)-FOR02C-DS

ADDITIONAL RESOURCES

[Maestro RR2 Programmable Outputs Guide](#)

OPTIONAL ACCESSORIES

K40
ELECTRONICS
ESCORT.

Click here for:
[Radar Installation Guides](#)

HEAD UNIT ADAPTER:
ACC-HU-PI01, SON1, KEN1, KEN2, ALP1

WELCOME

Congratulations on the purchase of your iDatalink Maestro RR Radio replacement solution. You are now a few simple steps away from enjoying your new car radio with enhanced features.

Before starting your installation, please ensure that your iDatalink Maestro module is programmed with the correct firmware for your vehicle and that you carefully review the install guide.

Please note that Maestro RR will only retain functionalities that were originally available in the vehicle.

TABLE OF CONTENTS

| | |
|----------------------------|----|
| Installation Instructions | 3 |
| Wiring Diagram | 7 |
| Radio Wire Reference Chart | 8 |
| Module Diagnostics | 9 |
| Troubleshooting Table | 10 |

NEED HELP?

 1 866 427-2999

 maestro.support@idatalink.com

INSTALLATION INSTRUCTIONS P1/4

DASH DISASSEMBLY

NOTE: Compatible modular 8 or 9" radio required.

1. Using a panel tool, carefully pry outward on the center console trim panels. (Fig. 1.1)
2. Engage the parking brake, turn the ignition ON, and place the shifter in drive. Lift the upper center console trim panel, disconnect the two wiring harnesses, and remove the panel. (Fig. 1.2)
3. Pull down on the shifter boot (Fig. 1.3) and remove the two Phillips screws securing the shifter in place. Remove the shift knob. (Fig. 1.4)
4. Remove the four 7mm screws securing the storage pocket. Disconnect the wiring harness and USB cables. (Fig. 1.5)
5. Remove the five 7mm screws securing the shifter carriage. Disconnect the wire harness and remove the carriage. (Fig. 1.6)
6. Place the transmission into park and turn the ignition off.
7. Remove the two 7mm screws at the base of the radio bezel. Using a panel tool, gently pry outward on the radio bezel to release the clips securing it. Disconnect the wire harnesses from the back. (Fig. 1.7)
8. Remove the four 7mm screws securing the radio display. Remove the radio display and disconnect the wiring harness, USB cable, and antenna connections. Remove the two 7mm screws at the bottom of the audio control module. Disconnect the wire harnesses. Remove the audio control module. (Fig. 1.8)

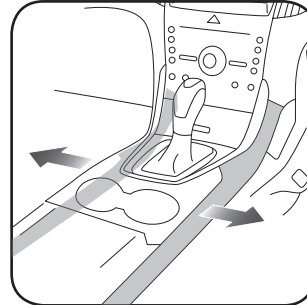


Fig. 1.1

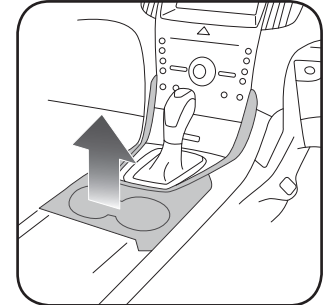


Fig. 1.2

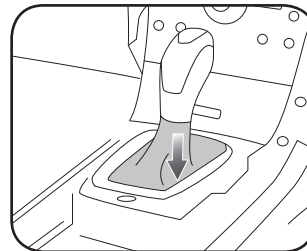


Fig. 1.3

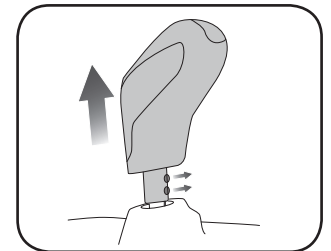


Fig. 1.4

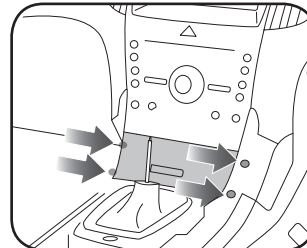


Fig. 1.5

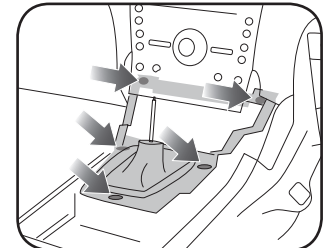


Fig. 1.6

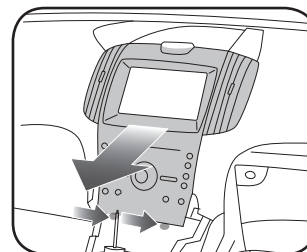


Fig. 1.7

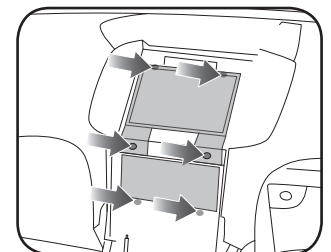


Fig. 1.8

INSTALLATION INSTRUCTIONS P2/4

DISASSEMBLE FACTORY RADIO

1. Remove the climate vents from the bezel assembly by releasing the two clips securing them. (Fig. 2.1)
2. Remove the eighteen T9 Torx screws securing the backplate. Remove the connector housing. (Fig. 2.2)
3. Remove the backplate from the bezel (Fig. 2.3)
4. Pull outward on the ribbon cable connector at the top of the climate control board. (Fig. 2.4)
5. Flip the climate board down to expose the ribbon cable on the back side. (Fig. 2.5)
6. Pull outward to disconnect the ribbon cable. (Fig. 2.6)
7. Remove the six T6 Torx screws securing the upper bezel to the climate controls and remove the upper radio bezel. This will not be used. (Fig. 2.7)
8. Remove the factory USB housing from the pocket. Depress the four tabs using a small pick tool. (Fig. 2.8)

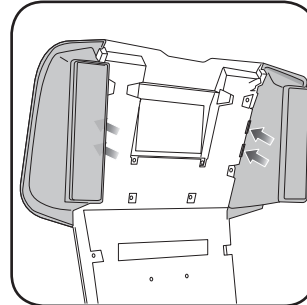


Fig. 2.1

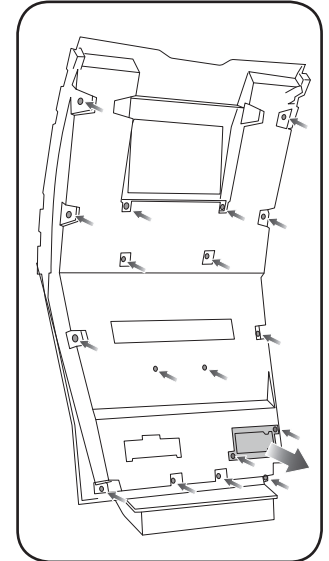


Fig. 2.2

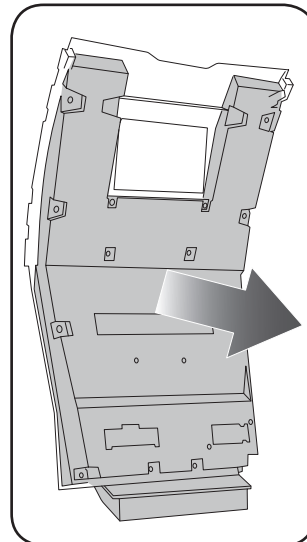


Fig. 2.3

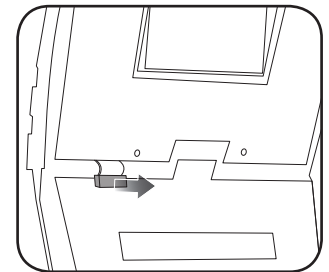


Fig. 2.4

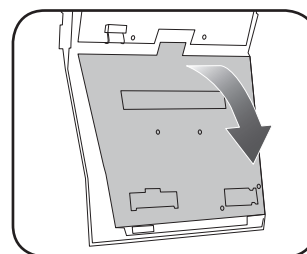


Fig. 2.5

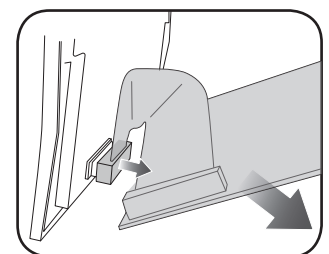


Fig. 2.6

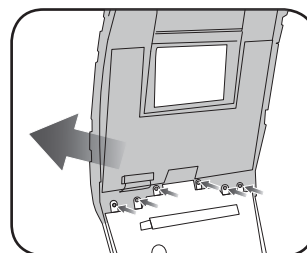


Fig. 2.7

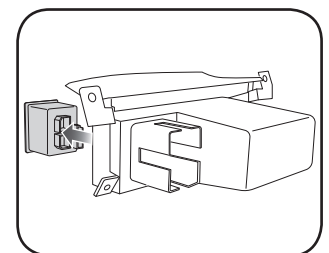


Fig. 2.8

INSTALLATION INSTRUCTIONS P3/4

ASSEMBLE THE EDG3 DASH KIT

1. Place the EDG3 display trim onto the factory climate bezel. Secure it with the six included Phillips screws. (Fig. 3.1)
2. Reconnect the climate control board to the climate housing. (Fig. 3.2)
3. Snap the EDG3 backplate onto the bezel assembly and secure with the four included Phillips screws (Fig. 3.3)
4. Reinstall the connector housing removed earlier. Secure the backplate with the ten included Phillips screws. (Fig. 3.4)
5. Place the metal bracket onto the radio display and secure it with the six Phillips screws provided with the radio. (Fig. 3.5)
6. Align the display assembly into the bezel and secure it with the four Phillips screws provided with the EDG3. (Fig. 3.6)
7. Install the four metal clips and rubber stops on to the back of the bezel. (Fig. 3.7)
8. Attach the climate vents on to the EDG3 assembly making sure the clips snap into place. (Fig. 3.8)
9. Install in the pocket the correct size USB housing provided with the EDG3.
10. Mount the factory brackets to the aftermarket radio chassis. Align the center hole of the brackets with the mounting locations on the radio chassis and secure using the screws provided with the aftermarket radio. (Fig. 3.10)

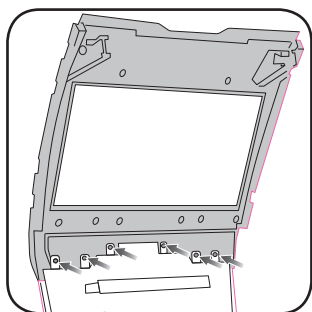


Fig. 3.1

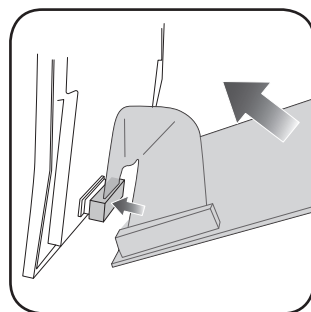


Fig. 3.2

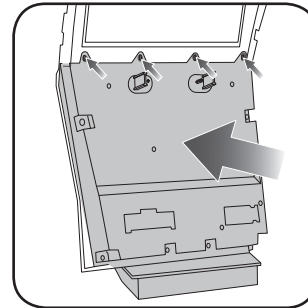


Fig. 3.3

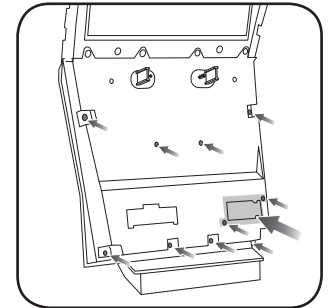


Fig. 3.4

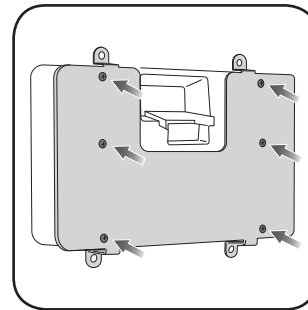


Fig. 3.5

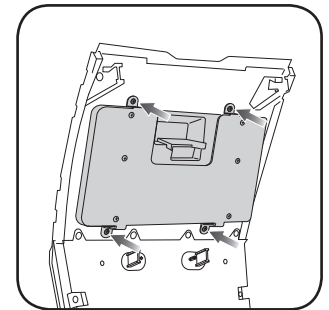


Fig. 3.6

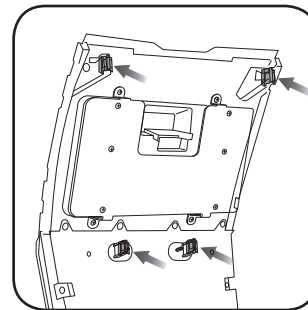


Fig. 3.7

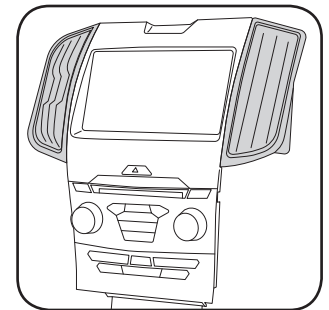


Fig. 3.8

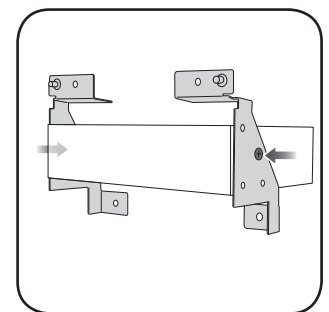


Fig. 3.10

INSTALLATION INSTRUCTIONS P4 / 4

MAKE CONNECTIONS (refer to wiring diagram)

1. If using head unit adapter (sold separately), connect HRR-EDG3 harness to adapter and skip to step 2.

- Locate aftermarket radio's main harness.
- Cut and remove the black 20 pin connector from the HRR-EDG3 T-harness and connect the wires, shown in the wiring diagram, from aftermarket radio main harness to the HRR-EDG3 T-harness and match the wire functions.

Note: only connect purple/white wire to radio reverse input or module damage will occur.

2. Connect the EDG3 harness to the main factory radio wiring harness.

- Connect the supplied antenna adapter to the black factory antenna connection.
- Connect the secondary harness to the 54-pin SYNC module harness behind radio.
- Connect the black and yellow 2-pin plugs to the main EDG3 harness.

3. Connect all harnesses to the Maestro RR module.

4. Route the T-harness assembly and antenna adapter to the upper dash cavity.

- Route the supplied USB-C or USB-A cables from the pocket location to the upper dash cavity.

Make all connections to the back of the aftermarket radio:

- Connect the antenna.
- Connect the camera RCA cable (in the BC IN or rear-view camera input).
- Connect the 4-pin data cable to the data port.
- Insert the audio cable into the iDatalink 3.5mm audio jack of the aftermarket radio (labeled iDatalink. If there is no iDatalink audio input, connect to AUX).

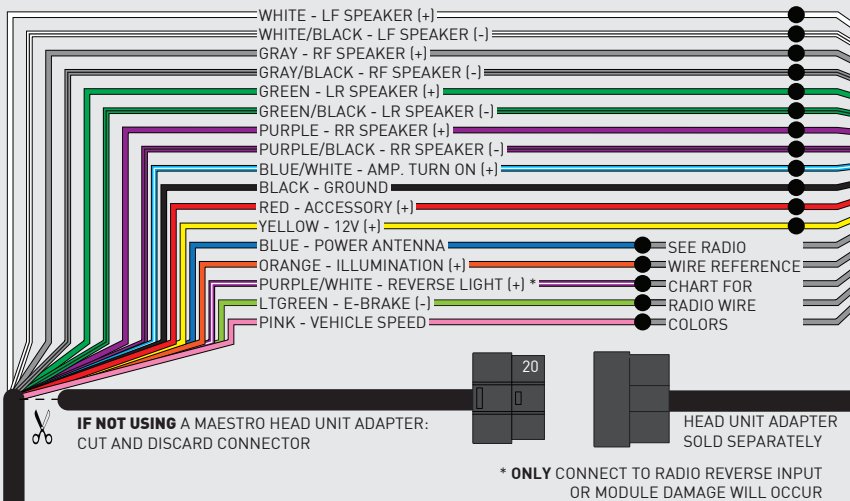
Note: When using a Pioneer radio, please ensure that there is nothing plugged into the W/R port of the radio.

Fit the radio into the dash cavity and secure it with the four 7mm screws removed earlier.

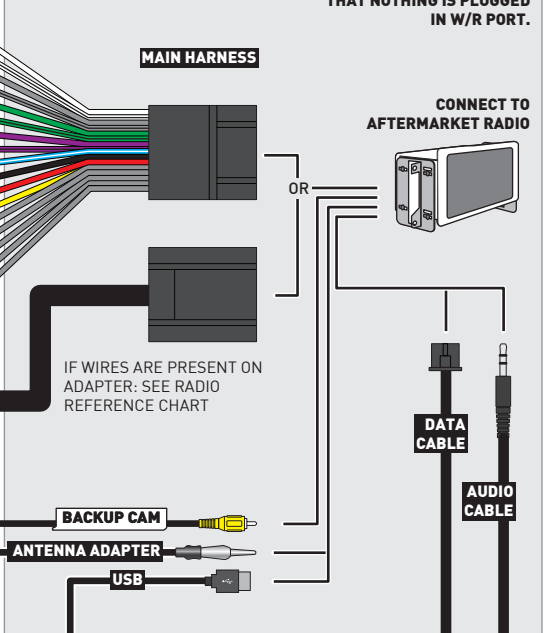
Assembly is the reverse order of disassembly. Make sure to install the two USB cables in the back of the pocket housing, making sure they click into place.

WIRING DIAGRAM

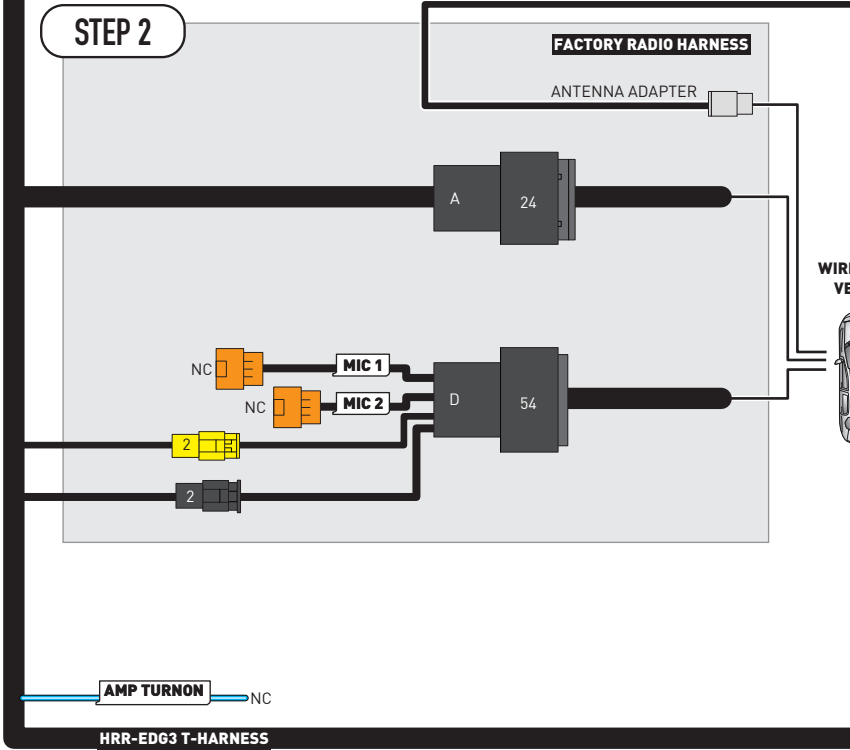
STEP 1



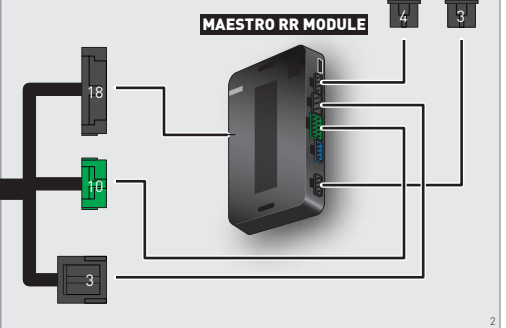
STEP 5



STEP 2



STEP 4



RADIO WIRE REFERENCE CHART

| EDG3 T-harness Wire Description | Polarity | Wire Color on Maestro T-Harness | Wire Color on Alpine cable | Wire Color on Kenwood/ JVC cable | Wire Color on Pioneer cable | Wire Color on Sony cable |
|------------------------------------|----------|------------------------------------|-------------------------------|-------------------------------------|--------------------------------|-----------------------------|
| Illumination | (+) | Orange | N/A | Orange/White | Orange/White | Orange |
| Reverse Light* | (+) | Purple/White | Orange/White | Purple/White | Purple/White | Purple/White |
| E-Brake | (-) | Lt Green | Yellow/Blue | Lt Green | Lt Green | Lt Green |
| VSS (vehicle speed sensor) | (DATA) | Pink | Green/White | Pink | Pink | N/A |
| Power Antenna | (+) | Blue | Blue | Blue | Blue/White | Blue or Blue/White |

Head unit adapter wiring (optional accessory, sold separately)

| ACC-HU-ALP1 Wire Description | Polarity | Wire Color on Adapter | Alpine Radio |
|---------------------------------|----------|-----------------------|--------------|
| VSS (vehicle speed sensor) | (DATA) | Green/White | Green/White |

| ACC-HU-KEN1 Wire Description | Polarity | Wire Color on Adapter | Kenwood Radio |
|---------------------------------|----------|-----------------------|------------------------------|
| CAM | (+) | Green/Red | Refer to camera/radio manual |
| CAM | (-) | Green/White | Refer to camera/radio manual |
| Steering Wheel Controls | (DATA) | Blue/Yellow | n/a |

| ACC-HU-KEN2 Wire Description | Polarity | Wire Color on Adapter | Kenwood Radio |
|---------------------------------|----------|-----------------------|---------------|
| E-Brake | (-) | LtGreen | LtGreen |
| Reverse Light* | (+) | Purple/White | Purple/White |
| Steering Wheel Controls | (DATA) | Blue/Yellow | n/a |

* Reverse light wire: Only connect to radio or module damage will occur.

MODULE DIAGNOSTICS



| LED 1 Module/Firmware status | LED 2 (RR2) Bluetooth activity | LED STATUS | DIAGNOSTIC |
|------------------------------------|-----------------------------------|-----------------------|--|
| or | | RED or GREEN flashing | LED flashes 1 or more times, either red or green, when a steering wheel button is pressed : normal operation. |
| | | 1 RED flash | Module has no firmware. Flash module using Weblink Desktop and log in. Do <u>NOT</u> use DEMO MODE. |
| | | 2 RED flashes | Problem detected. Consult troubleshooting table. |
| | | 1 GREEN flash | After radio boots up : Normal operation. |
| | | 3 GREEN flashes | Bluetooth is activated. Turns off after one minute: Normal operation. |
| | | OFF | Normal operation (inactive). |

| | | |
|------------------------------|--|--|
| VIDEO HELP | | Installation, product information, vehicle specific videos. |
| VERIFY FLASH | | Last flash information, steering control configuration, vehicle information. |
| WEBLINK | | Software to program module. |

TROUBLESHOOTING TABLE

| PROBLEM | SOLUTION |
|--|---|
| Gauges do not work, radio shows OBD2 Error 1 or Error 2. | <p>Ensure SYNC module connector is securely attached to the SYNC connector of the vehicle.</p> <p>If anything else is connected to the OBD2 or CAN wires of vehicle (programmer, throttle controller, insurance tracker, etc.) try unplugging it to see if gauges work. If gauges work without it installed, call tech support for options.</p> <p>Reset the RR.</p> |
| The light on the Maestro is blinking RED TWICE and the radio IS NOT turning on. | <p>If installing a modular radio and it is not turning on, ensure the screen is secured and any trim pieces on the radio have been installed fully. Not installing these fully will prevent radio from powering up and show a 2x red error as well.</p> <p>Test red and yellow wires for DC voltage at radio using a multimeter. Contact support if no voltage on red or yellow.</p> |
| The light on the Maestro is blinking RED TWICE and the radio IS turning on. | <p>Ensure the 4-pin data cable is connected between the radio and the RR, and that it is plugged into the black port on the Maestro RR. The red and blue ports on the RR should be empty.</p> <p>Make sure the correct radio model and serial number were entered during the flash. Verify the radio's serial number entered during the flash matches what is listed on the radio screen. This can be found in the settings of the radio, listed as Device Id, Device Number, or Serial Number.</p> |

MAESTRO RR RESET PROCEDURE:

Turn the key to the OFF position, then disconnect all connectors from the module.
 Press and hold the module's programming button and connect all the connectors back to the module. Wait, the module's LED will flash RED rapidly (this may take up to 10 seconds).
 Release the programming button. Wait, the LED will turn solid GREEN for 2 seconds to show the reset was successful.

TECHNICAL ASSISTANCE

Phone: 1-866-427-2999
 Email: maestro.support@idatalink.com

IMPORTANT: To ensure proper operation, the aftermarket radio needs to have the latest firmware from the manufacturer. Please visit the radio manufacturer's website and look for any updates pertaining to your radio.