



INTERFACE COMPONENTS

- AXDSP-X interface
- AXDSPX-HK2 harness
- LD-DSP-HYKIA2-2 harness
- Amplifier bypass harness
- Bass knob

APPLICATIONS

Visit AxxessInterfaces.com for current application list

For **Dash Disassembly Instructions**, refer to metraonline.com. Enter the year, make, and model of the vehicle in the **Vehicle Fit Guide** for **Radio Install kits**.



DSP Data Interface with Amplifier Bypass Harness

Fits Select Hyundai/Kia Models **2011-2020**

INTERFACE FEATURES

- Retains ability to work with S/PDIF[®] digitally controlled amplified systems
- Selectable 31-band Graphic EQ or 5-band parametric EQ on each channel with high pass, low pass, and bandpass filters
- 6 inputs and 10 individually assignable outputs
- Selectable slope (12, 24, 36, or 48db per octave)
- Selectable Graphic or Parametric EQ
- Independent equalization on each of the 10 outputs
- Each channel can be delayed independently up to 10 ms
- Clipping detection and limiting circuits
- Bass knob included
- Retains OE voice prompts (Blue Link[®]/Uvo[®]) if vehicle is equipped
- Settings adjusted wirelessly in the free AX-DSP-XL app available for smartphones and tablets
- Read, write, and store configurations for future recall
- Password protect feature available in the app
- Micro “B” USB updatable

TABLE OF CONTENTS

Connections.....	2
Installation	3
Mobile App.....	4-5
Specifications /Speaker Assignment QR code.....	6

TOOLS & INSTALLATION ACCESSORIES REQUIRED

- Crimping tool and connectors, or solder gun, solder, and heat shrink
- Tape
- Wire cutter
- Zip ties
- Tone generator

Download AX-DSP-XL App

Android™ 9 or higher



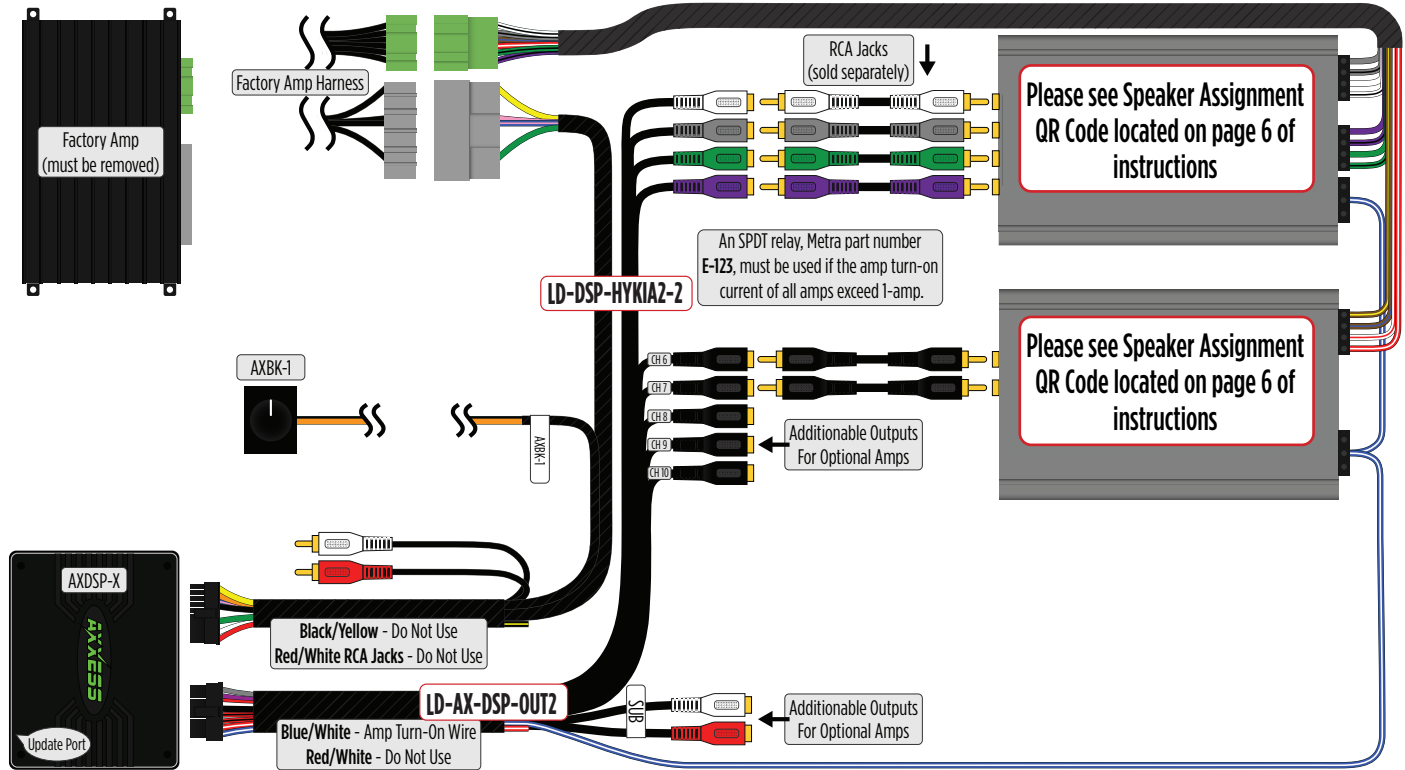
iOS® 12.1 or higher



ATTENTION: With the key out of the ignition, disconnect the negative battery terminal before installing this product. Ensure that all installation connections, especially the air bag indicator lights, are plugged in before reconnecting the battery or cycling the ignition to test this product.

NOTE: Refer also to the instructions included with the aftermarket accessory before installing this device.

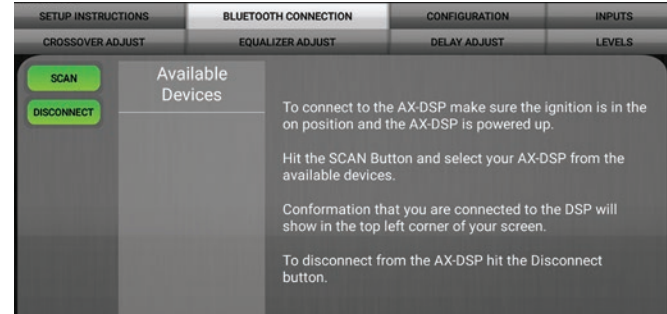
CONNECTIONS



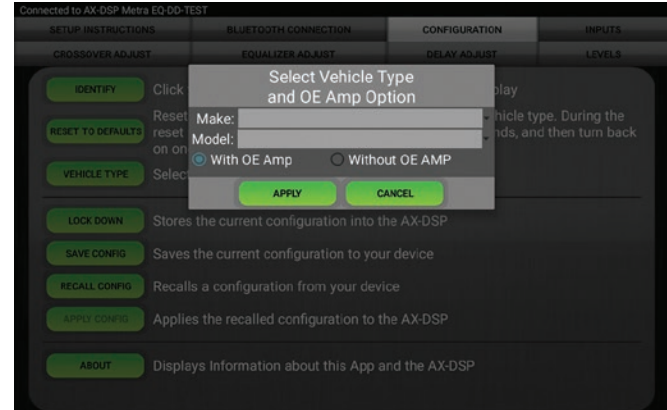
INSTALLATION

1. Locate the factory amp, unplug all connectors, then remove the amp.
Note: Amp location is on the previous page.
2. Install the **AXDSPX-HK2 harness** and make all necessary connections, but leave the amp turn-on wire disconnected.
3. Plug the 16-pin and 20-pin connectors from the **AXDSPX-HK2 harness** into the **AXDSP-X**.
4. Download and install the **AX-DSP-XL app** for your smart device.
5. Open the app and follow the instructions on the **Bluetooth Connection** tab to pair the mobile device to the AXDSP-X. (Figure A)
6. Scroll to the **Configuration** tab then select the vehicle type. Press the **Lock Down** button to save the configuration. (Figure B)
7. Connect the amp turn-on wire from the **AXDSPX-HK2 harness**. Click the **Identify** button to confirm that the AXDSPX-HK2 is connected properly. If so, a chime will be heard from the front left speaker. Test all functions of the installation for proper operation.
Note: The outputs may need to be configured within the **Outputs** tab.
8. Adjust the DSP settings in the app as desired. Refer to the instructions under the **Setup Instructions** tab, or online at Axxessinterfaces.com for an explanation of each tab in the app.

Continued on the next page



(Figure A)



(Figure B)

MOBILE APP: QUICK SETUP STEPS THROUGH AXDSP-XL APP

Android™ 9 or higher



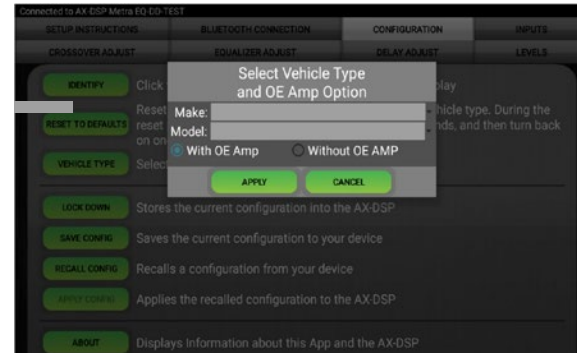
iOS® 12.1 or higher



1. Download and install the **AX-DSP-XL app** for your smart device.
2. Turn Vehicle Ignition on. Make sure the Remote Turn on lead is disconnected.
3. Open the app: Select **Bluetooth Connections** page.
 - Select **Scan**, all available AXDSP devices within range will be displayed. Select your AXDSP and hit connect. (Figure A)
4. Select the Configuration page.
 - Select **Vehicle Type** Icon
 - Select the Vehicle Make: _____ (Example: **HYUNDAI**)
 - Select the Vehicle's model: _____ (Example: **GENESIS**)
 - Select **With OE Amp**
 - Hit **Apply** (Figure B)
5. Make sure radio volume is all the way down.
6. Connect the amp turn-on wire from the **AXDSPX-HK2 T-harness** to the aftermarket amplifiers.



(Figure A)

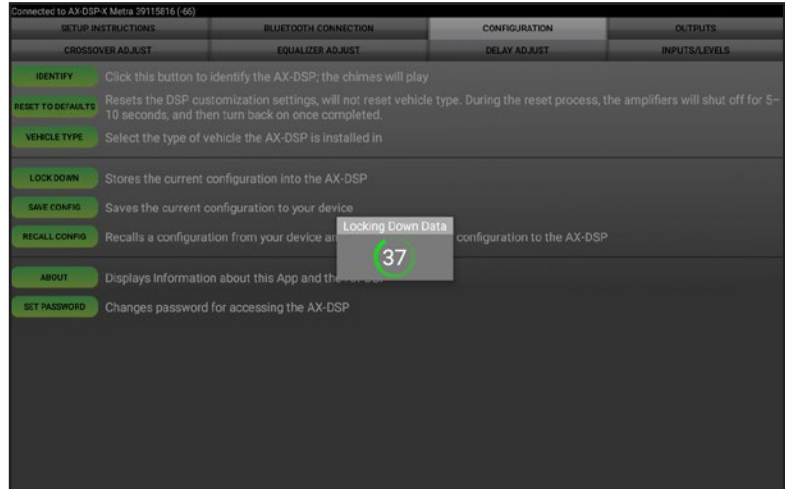


(Figure B)

MOBILE APP: QUICK SETUP STEPS THROUGH AXDSP-XL APP (CONT.)

- From the **Configuration** page click the **Identify** button to confirm that the **AXDSPX-HK2** is connected properly. If so, a chime will be heard from the front left speaker.
- Press the **Lock Down** button to save the configuration. (Do not turn ignition off until this process is completed) (Figure C)
- Select the **Bluetooth Configurations** page and disconnect the DSPX.
- Turn ignition off, close all doors then lock vehicle using the key fob. The vehicle will need to sit uninterrupted for 10 minutes while the vehicle goes to sleep. (Make sure Key fob is 15 feet away from the vehicle)
- Unlock Vehicle, turn ignition on and test radio's functions.
- Adjust the DSP settings in the app as desired. Refer to the instructions under the **Setup Instructions** tab, or online at Axxessinterfaces.com for an explanation of each tab in the app.

Locking Down Data



(Figure C)

**Last and the most important:
You MUST lock down your
configuration and cycle the key!!!**

SPECIFICATIONS

Specifications

Input Impedance	1M Ohm
Input Channels	6 High/Low level Selectable
Input Options	High Level or Low Level
Input Type	Differential-Balanced
Input Voltage	
High Level Range	0 - 28v Peak to Peak
Low Level Range	0 - 4.9v Peak to Peak
Output Channels	10
Output Voltage	Up to 5v RMS
Output Impedance	50 Ohms
Equalizer Type	31 Band Graphic EQ, +/- 10dB
THD	<0.03%
Frequency Response	20Hz - 20kHz
Crossover	3-Way LPF, BPF, HPF THP per channel
Crossover Type	Linkwitz-Riley 24DB Slope, Fixed
Sampling	48kHz
S/N Ratio	105dB @ 5V RMS

General

Operating Voltage	10 - 16VDC
Standby Current Draw	~7mA
Operation Current Draw	~150mA
Adjustments/Controls	Application via Bluetooth
Remote Output	12VDC, Signal Sense or with Ignition

Speaker Assignment



Visit [AxxessInterfaces.com](https://www.AxxessInterfaces.com)
for more detailed information
about the product and
up-to-date vehicle specific
applications



Blank lined writing area consisting of two columns of horizontal lines.



AXDSPX-HK2

INSTALLATION INSTRUCTIONS

Having difficulties? We're here to help.



Contact our Tech Support line at:

386-257-1187



Or via email at:

techsupport@metra-autosound.com

Tech Support Hours (Eastern Standard Time)

Monday - Friday: 9:00 AM - 7:00 PM

Saturday: 10:00 AM - 5:00 PM

Sunday: 10:00 AM - 4:00 PM



**Metra recommends MECP
certified technicians**