



Owner's Manual
Manual del Propietario
Manuel d'utilisatio
Benutzerhandbuch

KM614FL Coaxials
Altavoz Coax KM614FL
KM614FL Koax-System
Haut-parleurs Coaxiaux KM614FL

select language



*seleccione
el idioma*



*choisir la
langue*



*sprache
auswählen*

Contents

Overview	3
Specifications	4
Installation	5
Wiring Configuration	5
LED Wiring Configuration	6
Mounting	8
Warranty	11

Overview

IMPORTANT SAFETY WARNING

PROLONGED CONTINUOUS OPERATION OF AN AMPLIFIER, SPEAKER, OR SUBWOOFER IN A DISTORTED, CLIPPED OR OVER-POWERED MANNER CAN CAUSE YOUR AUDIO SYSTEM TO OVERHEAT, POSSIBLY CATCHING FIRE AND RESULTING IN SERIOUS DAMAGE TO YOUR COMPONENTS AND/OR VEHICLE. AMPLIFIERS REQUIRE UP TO 4 INCHES (10CM) OPEN VENTILATION. SUBWOOFERS SHOULD BE MOUNTED WITH AT LEAST 1 INCH (2.5CM) CLEARANCE BETWEEN THE FRONT OF THE SPEAKER AND ANY SURFACE. KICKER PRODUCTS ARE CAPABLE OF PRODUCING SOUND LEVELS THAT CAN PERMANENTLY DAMAGE YOUR HEARING! TURNING UP A SYSTEM TO A LEVEL THAT HAS AUDIBLE DISTORTION IS MORE DAMAGING TO YOUR EARS THAN LISTENING TO AN UNDISTORTED SYSTEM AT THE SAME VOLUME LEVEL. THE THRESHOLD OF PAIN IS ALWAYS AN INDICATOR THAT THE SOUND LEVEL IS TOO LOUD AND MAY PERMANENTLY DAMAGE YOUR HEARING. PLEASE USE COMMON SENSE WHEN CONTROLLING VOLUME.

The KICKER KM614FL are thin-profile, full-range speakers built for the marine and outdoor environments. Whether upgrading an existing audio system or decking out a new one, these coaxial speakers are perfect for any low-profile mounting application. You can complete the look of your marine install with the multi-color RGB lighting, and they come with 2-pairs of high-end protective grilles: OE-style white, and silver with a hole for the tweeter, so these speakers will always look just as good as they sound. The KM614FL deliver top-quality sound while taking the punishment of being out on the open water or exposed to the elements. We hope you have the chance to combine these new coaxial speakers with our whole line of marine products, including subwoofers and amplifiers, for the best audio experience money can buy!

Specifications

KM614FL Coaxial Speakers

Woofer [in, mm]	6-1/2, 160
Peak Power Handling [Watts]	130
Recommended Amplifier Power [Watts RMS]	15-65
Sensitivity [1W, 1m]	90
Frequency Response [Hz]	35–21k
Mounting Hole Diameter [in, mm]	5-3/16, 132
Mounting Depth [in, mm]	2-13/16, 64
Tweeter [in, mm]	1/2, 13
Rated Impedance [Ω]	4
Recommended Highpass Crossover for Maximum Power Handling	80Hz 12/octave
Tweeter Magnet Material	Neodymium
Tweeter Dome Material	PEI (polyether imide)
Tweeter Design	Balanced Dome
Woofer Cone Material	Polypropylene
Woofer Surround Material	Santoprene
Grilles	Yes

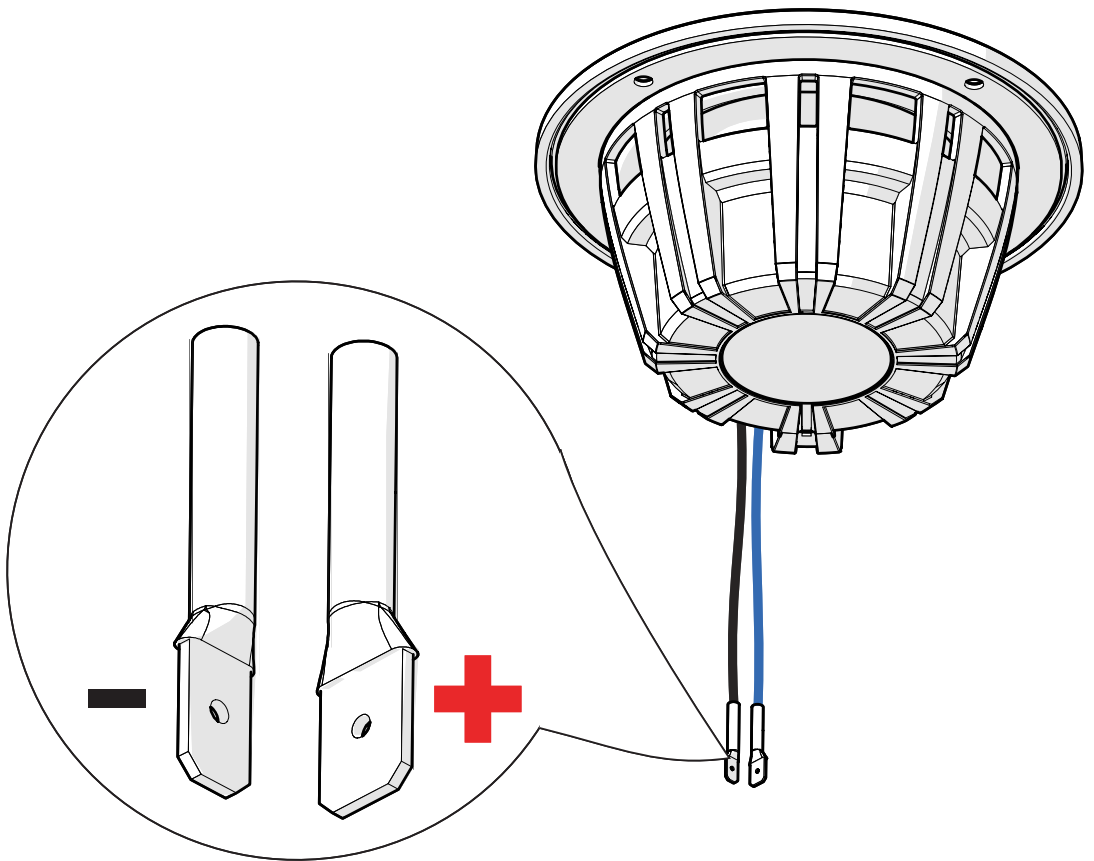
Note: All specifications and performance figures are subject to change. Please visit www.kicker.com for the most current information. To get the best performance from your new KICKER speakers, we recommend using genuine KICKER accessories and wiring. Please allow two weeks of break-in time for the speakers to reach optimum performance.

Pro Tip: You're a KICKER KXMA amplifier and a few cables away from a full system upgrade that will dominate any factory system! KICKER line of amplifiers make it easy to upgrade to solid bass with your existing or stock source unit. Also, ask your dealer about KICKER Subwoofer upgrades.

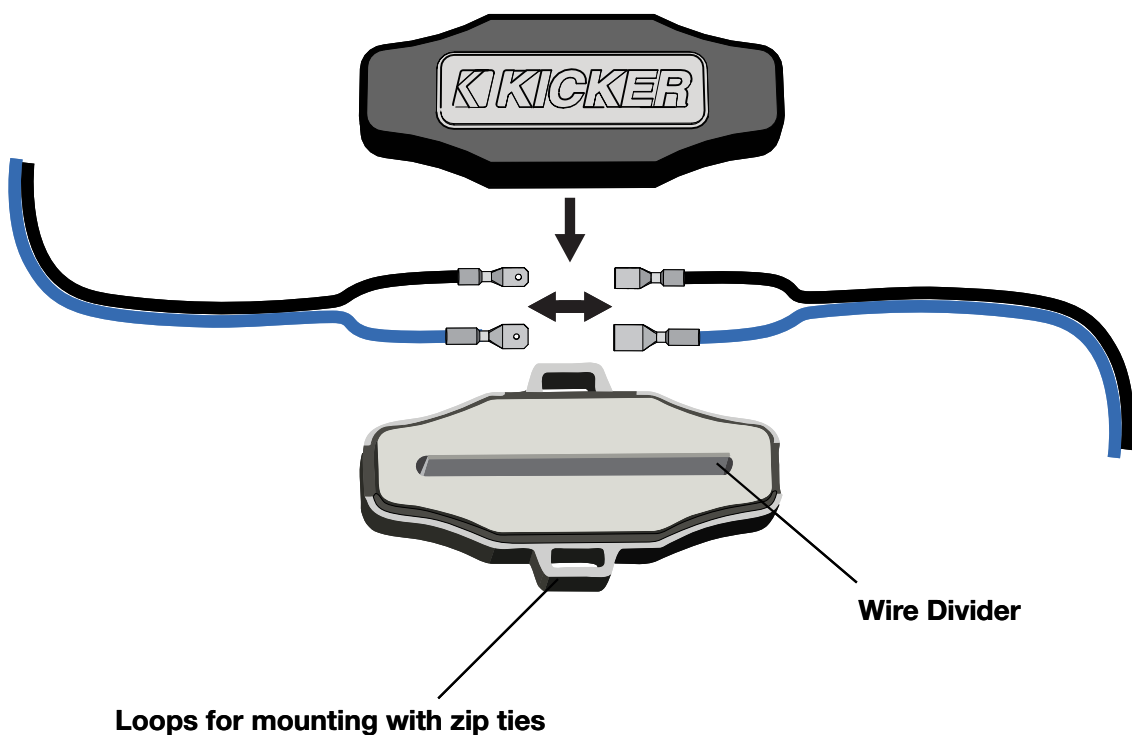
Installation

Wiring Configuration

We recommend using 16 gauge (or larger) wire. The KM614FL Speakers are rated at 4 ohms and work with any source unit or amplifier designed to operate at a 4 ohm load. **Make sure your source unit or amplifier is rated for 4 ohm operation.** Carefully place the speaker wire in a location that is clear of standing water and moving components of the boat. At least two amplifier channels are needed for stereo operation



1. Connect the speaker's wide spade terminal to the positive output of the amplifier channel.
2. Connect the speaker's narrow spade terminal to the negative output of the amplifier channel.
3. Place the speaker connections into the Locking Terminal Cover and snap together.
4. Secure the Locking Terminal Cover to the boat or vehicle using a zip-tie through the loops.



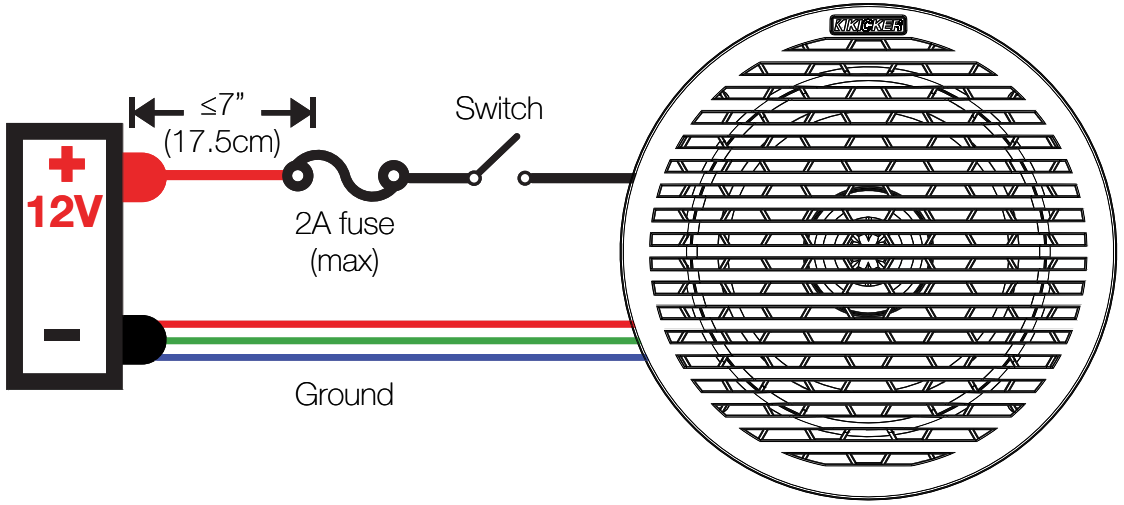
LED Wiring Configuration

To control LED behavior like color selection, speed, and brightness with ease, install the [KICKER KMLC](#) (sold separately).

1. Connect the black LED wire to the positive terminal of the battery.
 - a. Place a 2-amp fuse (not included) no further than 7" away from the battery terminal.

b. Install a switch (not included) on the black LED wire between the fuse and the speaker, so the LED's can be turned off. Without a switch to turn them off, they will always be on.

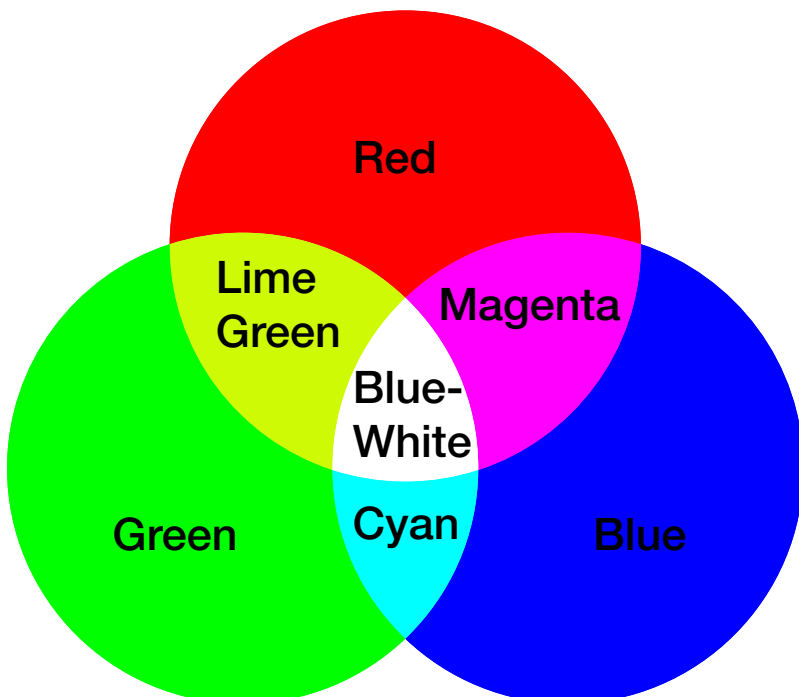
2. Connect the red, blue and/or green LED wires to the negative terminal of the battery.



Color Combinations: Splice and combine the ground wires to yield a different color.

Wires Connected to Negative Terminal	LED Color
Red	Red
Green	Green
Blue	Blue
Red/Green	Lime Green
Red/Blue	Magenta
Blue/Green	Aquamarine (Cyan)
Red/Green/Blue	Blue-White

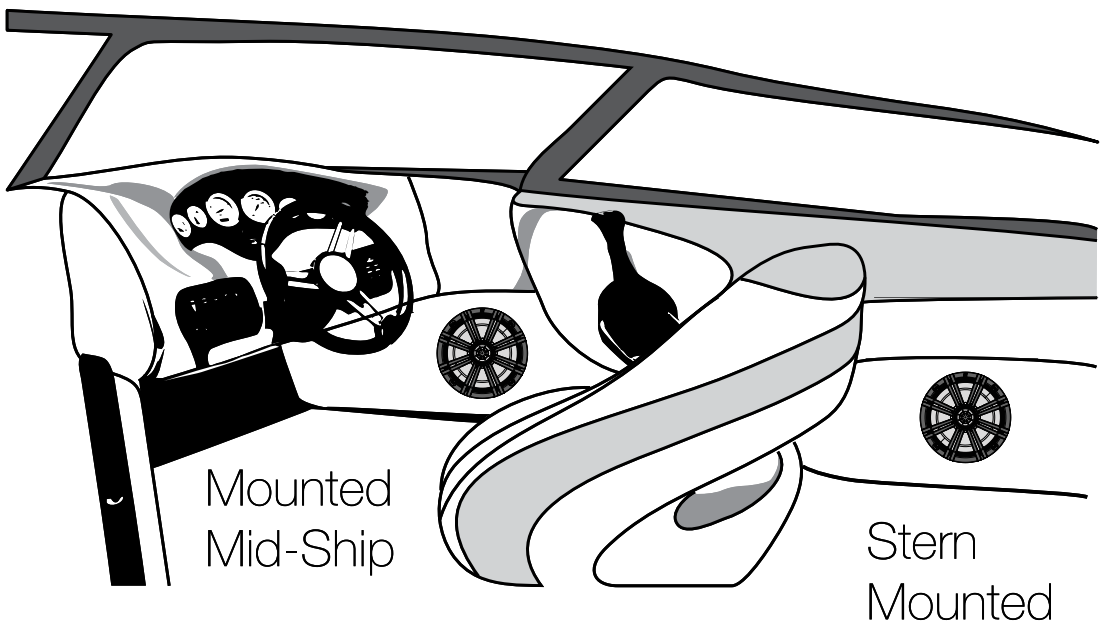
See the Venn diagram below for available combinations.



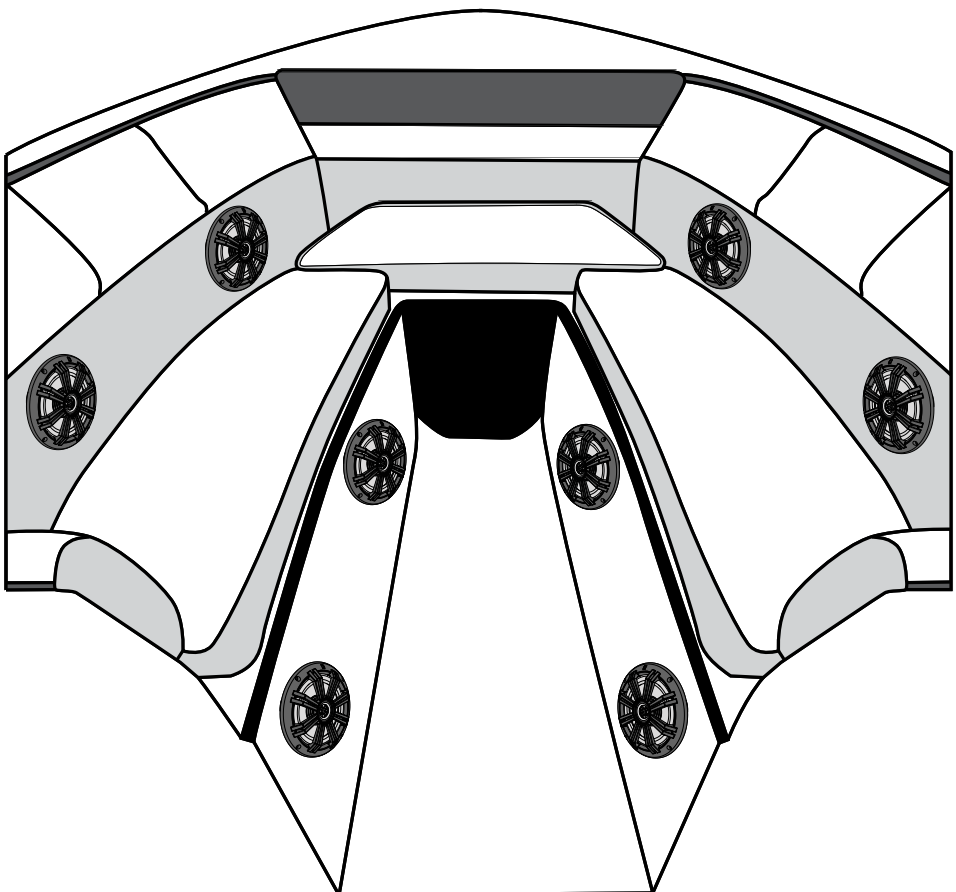
Mounting

It is important to isolate the sound coming from the front of the speaker from the sound radiating from the back of the speaker. The sound produced by the KM614FL coaxials is directional. Find the best location for stereophonic sound. If necessary, add more KM614FL coaxial speakers to the system to help distribute and balance the sound-stage.

Possible mounting locations

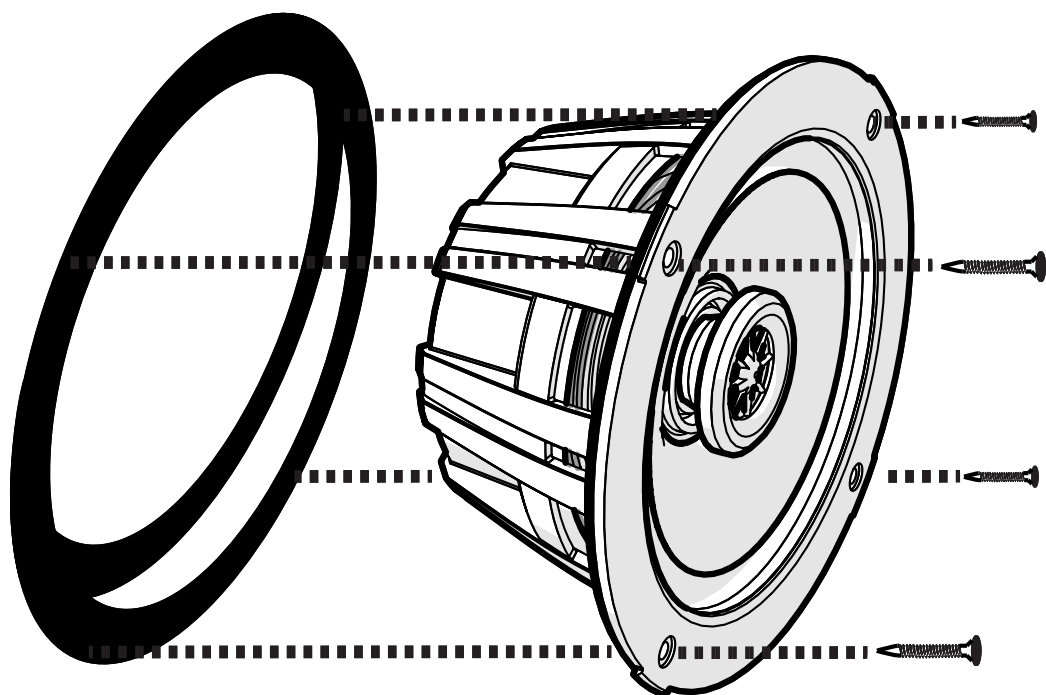


Mounted in the Bow

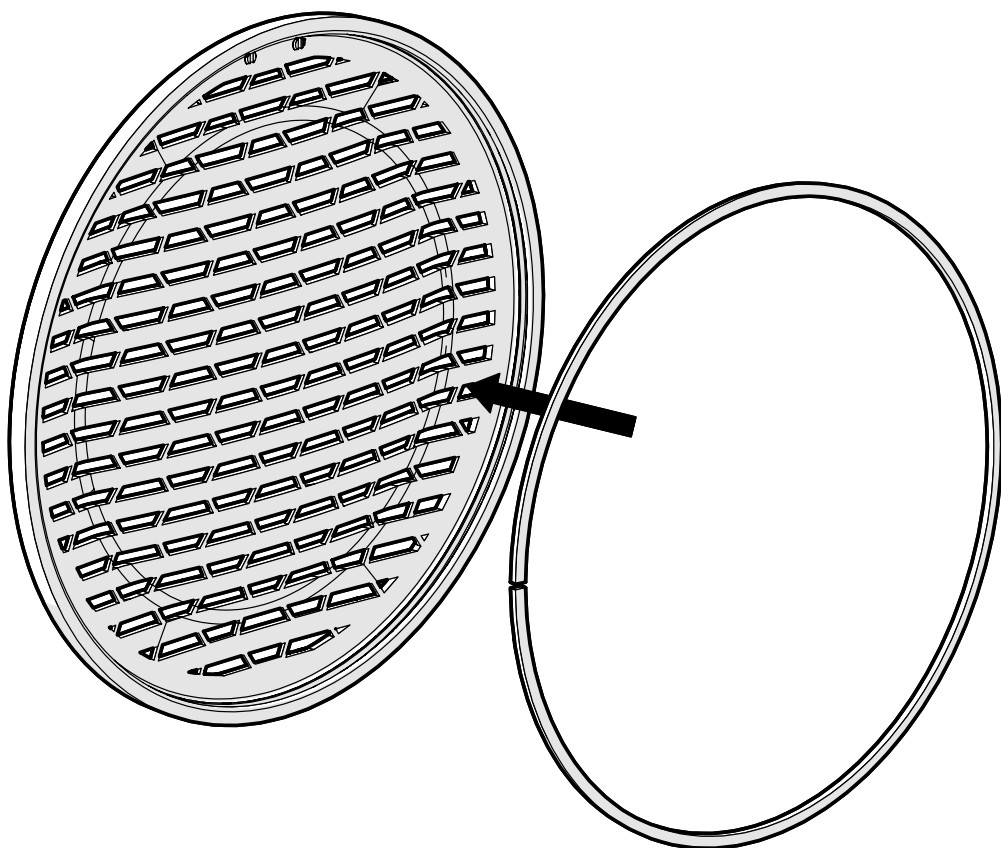


The KM614FL will fit in existing 5-1/4" speaker holes. After determining the best mounting locations, carefully check the areas where the mounting hardware will be placed. If a mounting location does not already exist, use the included mounting hole template to cut new holes and pre-drill the mounting screw holes using a 7/64" (2.5mm) bit. Use masking tape to help prevent damage to the paint in the locations to be cut or drilled. If you are mounting the speaker to a surface made from thin, soft material such as aluminum, use the provided stainless steel speed clips to provide threads for the mounting screws. If the speaker cut-out locations require you to cut metal, avoid structural metal and braces. Make sure the stainless steel mounting screws and U-type speed clips will not puncture the fuel cell, wiring, or interfere with any mechanical parts on the underside of the mounting surface.

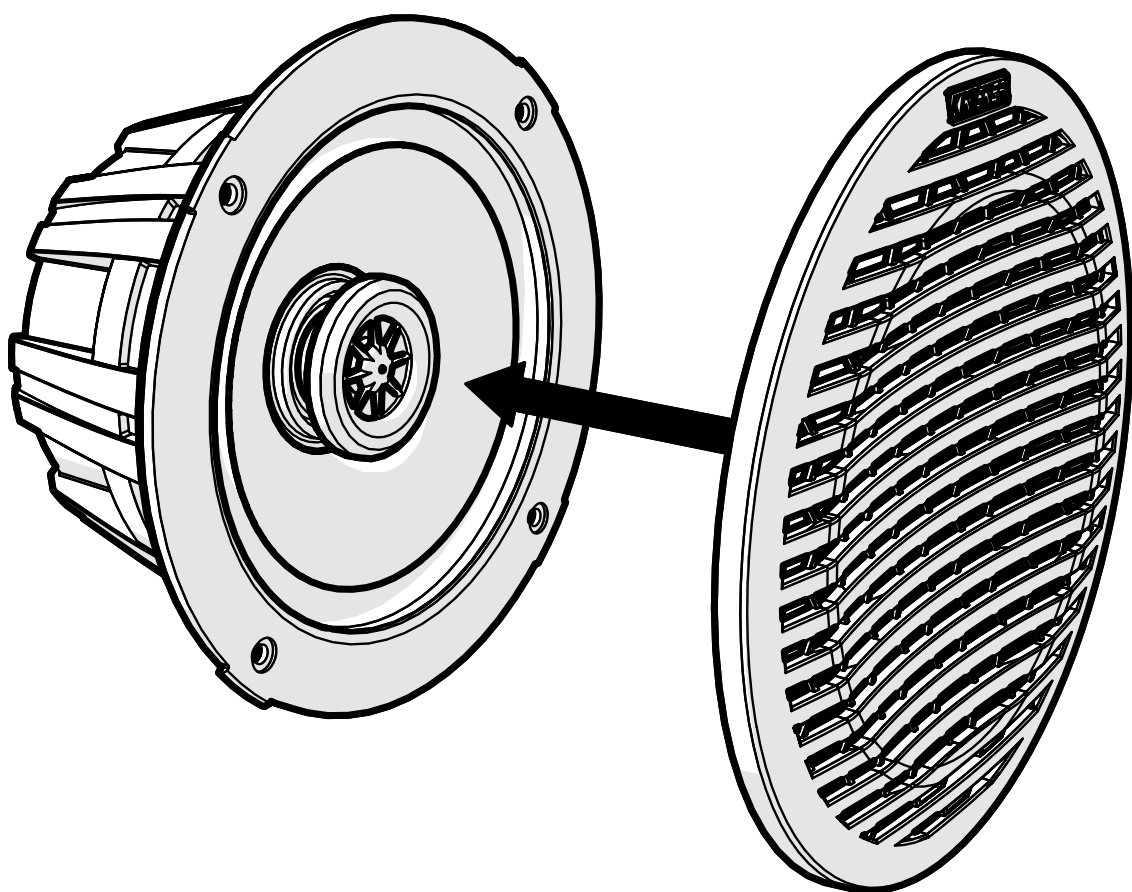
1. Attach the KM614FL coaxial speakers to the boat by fastening the supplied stainless steel coarse-threaded screws to the boat's structure. If the supplied hardware is not applicable to your installation, some other means of securely attaching the speakers to the boat must be used. You are solely responsible for safely mounting your KM614FL speakers.



2. Install the adhesive-backed foam strip to the inside of the back of the grille.



3. Orient the KICKER badge and grille as desired, then snap the grille onto the speaker.



Warranty

When purchased from an Authorized KICKER Dealer, KICKER warrants this product to be free from defects in material and workmanship under normal use for a period of THREE (3) YEARS from date of original purchase with receipt. If this product is identified as “Refurbished” or “B Goods”, the warranty is limited to a period of THREE (3) MONTHS from the date of original purchase. In all cases you must have the original receipt. Should service be necessary under this warranty for any reason due to manufacturing defect or malfunction during the warranty period, KICKER will repair or replace (at its discretion) the defective merchandise with equivalent merchandise. Warranty replacements may have cosmetic scratches and blemishes. Discontinued products may be replaced with more current equivalent products. This warranty is valid only for the original purchaser and is not extended to owners of the product subsequent to the original purchaser. Any applicable implied warranties are limited in duration to a period of the express warranty as provided herein beginning with the date of the original purchase at retail, and no warranties, whether express or implied, shall apply to this product thereafter. Some states do not allow limitations on implied warranties; therefore, these exclusions may not apply to you. This warranty gives you specific legal rights; however you may have other rights that vary from state to state.

WHAT TO DO IF YOU NEED WARRANTY OR SERVICE:

Defective merchandise should be returned to your local Authorized Stillwater Designs (KICKER) Dealer for warranty service. Assistance in locating an Authorized Dealer can be found at www.KICKER.com or by contacting Stillwater Designs directly. You can confirm that a dealer is authorized by asking to see a current authorized dealer window decal.

If it becomes necessary for you to return defective merchandise directly to Stillwater Designs (KICKER), call the KICKER Customer Service Department at (405) 624-8510 for a Return Merchandise Authorization (RMA) number. Package only the defective items in a package that will prevent shipping damage, and return to:

Stillwater Designs
3100 North Husband St
Stillwater, OK 74075

The RMA number must be clearly marked on the outside of the package. Please return only defective components. The return of functioning items increases your return freight charges. Non-defective items will be returned freight collect to you. For example, if a subwoofer is defective, only return the defective subwoofer, not the entire enclosure. Include a copy of the original receipt with the purchase date clearly visible, and a “proof-of-purchase” statement listing the Customer’s name, Dealer’s name and invoice number, and product purchased. Warranty expiration on items without proof-of-purchase will be determined from the type of sale and manufacturing date code. Freight must be prepaid; items sent freight-collect, or COD, will be refused.

WHAT IS NOT COVERED?

This warranty is valid only if the product is used for the purpose for which it was designed. It does not cover:

- o Damage due to improper installation
- o Subsequent damage to other components
- o Damage caused by exposure to moisture, excessive heat, chemical cleaners, and/or UV radiation
- o Damage through negligence, misuse, accident or abuse. Repeated returns for the same damage may be considered abuse
- o Any cost or expense related to the removal or reinstallation of product
- o Speakers damaged due to amplifier clipping or distortion
- o Items previously repaired or modified by any unauthorized repair facility
- o Return shipping on non-defective items
- o Products with tampered or missing barcode labels
- o Products with tampered or missing serial numbers
- o Products returned without a Return Merchandise Authorization (RMA) number
- o Products purchased from an UNAUTHORIZED dealer
- o Freight Damage
- o The cost of shipping product to KICKER
- o Service performed by anyone other than KICKER

HOW LONG WILL IT TAKE?

KICKER strives to maintain a goal of one-week service for all acoustics (subwoofers, midrange drivers, tweeters, crossovers, etc) returns. Delays may be incurred if lack of replacement inventory or parts is encountered. Failure to follow these steps may void your warranty. Any questions can be directed to the KICKER Customer Service Department at (405) 624-8510. Contact your International KICKER dealer or distributor concerning specific procedures for your country’s warranty policies.

Garantía | Garantie

Contact your International KICKER dealer or distributor concerning specific procedures for your country's warranty policies.

Our goods come with guarantees that cannot be excluded under the **Australian Consumer Law**. You are entitled to a replacement or refund for a major failure and for compensation for any other reasonably foreseeable loss or damage. You are also entitled to have the goods repaired or replaced if the goods fail to be of acceptable quality and the failure does not amount to a major failure.

GARANTÍA INTERNACIONAL **Versión Español**

Comuníquese con su concesionario o distribuidor KICKER internacional para obtener información sobre procedimientos específicos relacionados con las normas de garantía de su país.

La frase “combustible para vivir la vida Livin’ Loud™ a todo volumen” se refiere al entusiasmo por la vida que la marca KICKER de estéreos de automóvil representa y a la recomendación a nuestros clientes de que vivan lo mejor posible (“a todo volumen”) en todo sentido. La línea de altavoces y amplificadores KICKER es la mejor del mercado de audio de automóviles y por lo tanto representa el “combustible” para vivir a todo volumen en el área de “estéreos de automóvil” de la vida de nuestros clientes. Recomendamos a todos nuestros clientes que obedezcan todas las reglas y reglamentos locales sobre ruido en cuanto a los niveles legales y apropiados de audición fuera del vehículo.

INTERNATIONALE GARANTIE **Deutsche Version**

Nehmen Sie mit Ihren internationalen KICKER-Fachhändler oder Vertrieb Kontakt auf, um Details über die Garantieleistungen in Ihrem Land zu erfahren.

Der Slogan “Treibstoff für Livin’ Loud” bezieht sich auf die mit den KICKER-Autostereosystemen assoziierte Lebensfreude und die Tatsache, dass wir unsere Kunden ermutigen, in allen Aspekten ihres Lebens nach dem Besten (“Livin’ Loud”) zu streben. Die Lautsprecher und Verstärker von KICKER sind auf dem Markt für Auto-Soundsysteme führend und stellen somit den “Treibstoff” für das Autostereoerlebnis unserer Kunden dar. Wir empfehlen allen unseren Kunden, sich bezüglich der zugelassenen und passenden Lautstärkepegel außerhalb des Autos an die örtlichen Lärmvorschriften zu halten.

GARANTIE INTERNATIONALE **Version Française**

Pour connaître les procédures propres à la politique de garantie de votre pays, contactez votre revendeur ou distributeur International KICKER.

L'expression “ carburant pour vivre plein pot “ fait référence au dynamisme de la marque KICKER d'équipements audio pour véhicules et a pour but d'encourager nos clients à faire le maximum (“ vivre plein pot “) dans tous les aspects de leur vie. Les haut-parleurs et amplificateurs KICKER sont les meilleurs dans le domaine des équipements audio et représentent donc pour nos clients le “ carburant pour vivre plein pot “ dans l'aspect “ installation audio de véhicule “ de leur vie. Nous encourageons tous nos clients à respecter toutes les lois et réglementations locales relatives aux niveaux sonores acceptables à l'extérieur des véhicules.

P.O. Box 459

Stillwater, Oklahoma 74076

USA

(405) 624-8510

 **stillwaterdesigns**

8 7 6 5 4 3 2 1

D
C
B
A

D
C
B
A

WHITE LINED 0.406mm
CHIPBOARD

ALL PRINT TO BE BLACK



DRILL
1/64"

KICKER
MOUNTING TEMPLATE
FOR 51KM614FL

PLACE LEVEL HERE

PLACE LEVEL HERE

PERFORATED CUT

CUT MOUNTING HOLE HERE

OUTER DIAMETER OF SPEAKER WITH GRILLE MOUNTED



CUSTOMER P/N	UNLESS OTHERWISE SPECIFIED:	NAME	DATE	STILLWATER, OK
PART NUMBER	DIMENSIONS ARE IN INCHES TOLERANCES: FRACTIONAL ± ANGULAR: MACH ± BEND ± TWO PLACE DECIMAL ± THREE PLACE DECIMAL ±	DRAWN dSb 7/5/2023	CHECKED CLB 7/5/2023	
PROPRIETARY AND CONFIDENTIAL THE INFORMATION CONTAINED IN THIS DRAWING IS THE SOLE PROPERTY OF STILLWATER DESIGNS & AUDIO INC. ANY REPRODUCTION IN PART OR AS A WHOLE WITHOUT THE WRITTEN PERMISSION OF STILLWATER DESIGNS & AUDIO INC IS PROHIBITED.	INTERPRET GEOMETRIC TOLERANCING PER:	ENG APPR.	MFG APPR.	SIZE DWG. NO. REV
	MATERIAL	Q.A.		B 51KM614-TMPLT A
	FINISH	ALL VIEWS THIRD-ANGLE PROJECTION		SCALE: 1:1 WEIGHT: SHEET 1 OF 1
	DO NOT SCALE DRAWING			

8 7 6 5 4 3 2 1

KICKER® KM614FL

Low-Profile Full-Range Speaker with LED



Info Card | Tarjeta de Información | Carte Info | Infokarte

IMPORTANT: KICKER recommends a professional installation performed by authorized retailers. You are solely responsible for safely mounting and wiring your products.

IMPORTANTE: KICKER recomienda que se realice una instalación profesional con proveedores con licencia. Usted es el único responsable por la instalación segura y el cableado de sus productos.

IMPORTANT : KICKER recommande une installation professionnelle effectuée par des fournisseurs agréés. Vous êtes l'unique responsable du montage et du câblage de vos produits en toute sécurité.

WICHTIG: KICKER empfiehlt eine professionelle Montage durch lizenzierte Anbieter. Sie haben die alleinige Verantwortung für die sichere Montage und Verkabelung Ihrer Geräte.



Scan here for
product page
Escanee aquí para
página del producto



Scannez ici pour
fiche produit
Scannen Sie hier nach
Produktseite

CAUTION: KICKER PRODUCTS CAN PRODUCE SOUND LEVELS THAT CAN PERMANENTLY DAMAGE YOUR HEARING! TURNING UP A SYSTEM TO A LEVEL THAT HAS AUDIBLE DISTORTION IS MORE DAMAGING TO YOUR EARS THAN LISTENING TO AN UNDISTORTED SYSTEM AT THE SAME VOLUME LEVEL. THE THRESHOLD OF PAIN IS ALWAYS AN INDICATOR THE SOUND LEVEL IS TOO LOUD AND MAY PERMANENTLY DAMAGE YOUR HEARING. PLEASE USE COMMON SENSE WHEN CONTROLLING VOLUME.

ADVERTENCIA: LOS EXCITADORES KICKER SON CAPACES DE PRODUCIR NIVELES DE SONIDO QUE PUEDEN DAÑAR PERMANENTEMENTE EL OÍDO. SUBIR EL VOLUMEN DEL SISTEMA HASTA UN NIVEL QUE PRODUZCA DISTORSIÓN ES MÁS DAÑINO PARA EL OÍDO QUE ESCUCHAR UN SISTEMA SIN DISTORSIÓN AL MISMO VOLUMEN. EL DOLOR ES SIEMPRE UNA INDICACIÓN DE QUE EL SONIDO ES MUY FUERTE Y QUE PUEDE DAÑAR PERMANENTEMENTE EL OÍDO. SEA PRECAVIDO CUANDO CONTROLE EL VOLUMEN.

AVERTISSEMENT: LES HAUT-PARLEURS KICKER ONT LA CAPACITÉ DE PRODUIRE DES NIVEAUX SONORES POUVANT ENDOMMAGER L'OUÏE DE FAÇON IRRÉVERSIBLE ! L'AUGMENTATION DU VOLUME D'UN SYSTÈME JUSQU'À UN NIVEAU PRÉSENTANT UNE DISTORSION AUDIBLE ENDOMMAGE D'AVANTAGE L'OUÏE QUE L'ÉCOUTE D'UN SYSTÈME SANS DISTORSION AU MÊME VOLUME. LE SEUIL DE LA DOULEUR EST TOUJOURS LE SIGNE QUE LE NIVEAU SONORE EST TROP ÉLEVÉ ET RISQUE D'ENDOMMAGER L'OUÏE DE FAÇON IRRÉVERSIBLE. RÉGLEZ LE VOLUME EN FAISANT PREVUE DE BON SENS !

WARNUNG: KICKER-TREIBER KÖNNEN EINEN SCHALLPEGEL ERZEUGEN, DER ZU PERMANENTEN GEHÖRSCHÄDEN FÜHREN KANN! WENN SIE EIN SYSTEM AUF EINEN PEGEL STELLEN, DER HÖRBARE VERZERRUNGEN ERZEUGT, SCHADET DAS IHREN OHREN MEHR, ALS EIN NICHT VERZERRTES SYSTEM AUF DEM GLEICHEN LAUTSTÄRKEPEGEL. DIE SCHMERZSCHWELLE IST IMMER EINE ANZEIGE DAFÜR, DASS DER SCHALLPEGEL ZU LAUT IST UND ZU PERMANENTEN GEHÖRSCHÄDEN FÜHREN KANN. SEIEN SIE BEI DER LAUTSTÄRKEEINSTELLUNG BITTE VERNÜNFTIG!

KICKER PRODUCTS ARE WARRANTED AGAINST DEFECTS. DURATION AND TERMS OF WARRANTY DEPEND ON THE LAWS IN THE COUNTRY IN WHICH IT WAS PURCHASED. FOR DETAILS SEE YOUR LOCAL KICKER DEALER OR WWW.KICKER.COM/WARRANTY.

OUR GOODS COME WITH GUARANTEES THAT CANNOT BE EXCLUDED UNDER THE AUSTRALIAN CONSUMER LAW. YOU ARE ENTITLED TO A REPLACEMENT OR REFUND FOR A MAJOR FAILURE AND FOR COMPENSATION FOR ANY OTHER REASONABLY FORESEEABLE LOSS OR DAMAGE. YOU ARE ALSO ENTITLED TO HAVE THE GOODS REPAIRED OR REPLACED IF THE GOODS FAIL TO BE OF ACCEPTABLE QUALITY AND THE FAILURE DOES NOT AMOUNT TO A MAJOR FAILURE.

LOS PRODUCTOS KICKER ESTÁN GARANTIZADOS CONTRA DEFECTOS. LA DURACIÓN Y LOS TÉRMINOS DE LA GARANTÍA DEPENDEN DE LAS LEYES DEL PAÍS EN DONDE SE REALIZÓ LA COMPRA. PARA MÁS DETALLES CONSULTE A SU DISTRIBUIDOR LOCAL DE KICKER O VISITE WWW.KICKER.COM/WARRANTY.

LES PRODUITS KICKER SONT GARANTIS CONTRE LES DÉFAUTS. LA DURÉE ET LES MODALITÉS DE LA GARANTIE DÉPENDENT DES LOIS DU PAYS DANS LEQUEL LE PRODUIT A ÉTÉ ACHETÉ. POUR PLUS D'INFORMATION VEUILLEZ VÉRIFIER AUPRÈS DE VOTRE DISTRIBUTEUR LOCAL KICKER OU VISITER LE SITE : WWW.KICKER.COM/WARRANTY.

KICKER-PRODUKTE HABEN EINE GARANTIE GEGEN MATERIAL- UND VERARBEITUNGSFEHLER. DAUER UND BEDINGUNGEN DER GARANTIE HÄNGEN VON DEN GESETZEN DES LANDES AB, IN DEM SIE ERWORBEN WURDEN. BZGL. EINZELHEITEN WENDEN SIE SICH BITTE AN IHREN ÖRTLICHEN KICKER-HÄNDLER ODER BESUCHEN SIE WWW.KICKER.COM/WARRANTY

