

Packungsinhalt:

- (2) DSC Koaxial-Lautsprecher
- (8) Schrauben zur Montage und SpeedClips
- (2) Positiv-Negativ-Anschlusskabel
- (4) Lüsterklammern

Modelle/	DSC35	DSC4	DSC6	DSC5	DSC65	DSC67	DSC68	DSC683
Material des Hochtoner-Materials	Neodymium	Neodymium	Neodymium	Neodymium	Neodymium	Neodymium	Neodymium	Neodymium
Material der Hochtoner-Kabine	PEI (polyether midel)	PEI (polyether midel)	PEI (polyether midel)	PEI (polyether midel)	PEI (polyether midel)	PEI (polyether midel)	PEI (polyether midel)	PEI (polyether midel)
Hochtoner-Design	Balancierte Korbse	Balancierte Korbse	Balancierte Korbse	Balancierte Korbse	Balancierte Korbse	Balancierte Korbse	Balancierte Korbse	Balancierte Korbse
Material des Tiefton-Materials	Polypropylene	Polypropylene	Polypropylene	Polypropylene	Polypropylene	Polypropylene	Polypropylene	Polypropylene
Material der Tiefton-Kabine	Genäppter Polyesterum	Genäppter Polyesterum	Genäppter Polyesterum	Genäppter Polyesterum	Genäppter Polyesterum	Genäppter Polyesterum	Genäppter Polyesterum	Genäppter Polyesterum
Material der Tiefton-Verbindung	Genäppter Polyesterum	Genäppter Polyesterum	Genäppter Polyesterum	Genäppter Polyesterum	Genäppter Polyesterum	Genäppter Polyesterum	Genäppter Polyesterum	Genäppter Polyesterum
Diámetro del altavoz (Woofer [Inch./mm])	2 -Way 3-1/2, 89	2 -Way 4, 100	2 -Way 4x6, 100x160	2 -Way 5-1/4, 130	2 -Way 6-1/2, 160	2 -Way 6-3/4, 165	2 -Way 6x6, 160x200	3 -Way 6x6, 160x200
Mesa (Inch./mm)	12, 13	12, 13	12, 13	12, 13	12, 13	12, 13	12, 13	12, 13
Altavoz (Inch./mm)	4	4	4	4	4	4	4	4
Normpotenz (W)	80	120	120	200	240	240	200	390
Maximale Lautstärkenleistung (Watt)	20	30	30	50	60	60	50	90
Überleistung (Watt RMS)	88	88	88	90	90	90	90	92
Spannfähigkeit (V, 1m)	80-20k	60-20k	50-20k	45-20k	40-20k	40-20k	45-20k	30-20k
Frequenzgang (Hz)	3, 78	3-9/4, 95	4x6, 101x182	4-1/2, 115	4-1/2, 115	4-1/2, 115	5x7-3/16, 128x182	5-9/8 x 8-7/16, 143x215
Übertragungsbereich des Befeidungslochs (Inch./mm)	1/4, 6	1/4, 6	5/16, 7	1/4, 7	3/8, 9	3/8, 9	3/8, 9	7/16, 12
Tiefe der oberen Befestigung (Inch./mm)	1-1/16, 42	1-1/16, 42	1-1/16, 43	1-3/4, 45	1-1/16, 43	1-1/16, 43	2-3/16, 56	3-9/16, 81
Tiefe der unteren Befestigung (Inch./mm)	1/8, 3	0	0	0	0	0	0	0
Überstand des Hochtoners (Inch./mm)	1/8, 3	0	0	0	0	0	0	0
Größe	Nein	Ja	Nein	Ja	Ja	Ja	Nein	Ja

DSC Koaxial-System

Contenu du coffret :

- (2) Haut-parleurs coaxiaux DSC
- (8) Vis de montage et attaches rapides
- (2) Fils conducteurs positif-négatif
- (4) Bouchons de câbles

Modelle/	DSC35	DSC4	DSC6	DSC5	DSC65	DSC67	DSC68	DSC683
Conception du haut-parleur	2 -Way	2 -Way	2 -Way	2 -Way	2 -Way	2 -Way	2 -Way	3 -Way
Hauteur-pareur de graves (Inch./mm)	3-1/2, 89	4, 100	4x6, 100x160	5-1/4, 130	6-1/2, 160	6-3/4, 165	6x6, 160x200	6x6, 160x200
Hauteur-pareur intermédiaire (Inch./mm)	1/2, 13	1/2, 13	1/2, 13	1/2, 13	1/2, 13	1/2, 13	1/2, 13	1/2, 13
Indicateurs normaux (W)	4	4	4	4	4	4	4	4
Puissance en crête admissible (Watt)	80	120	120	200	240	240	200	390
Puissance continue admissible (Watt RMS)	20	30	30	50	60	60	50	90
Spannfähigkeit (V, 1m)	88	88	88	90	90	90	90	92
Reponse en fréquence (Hz)	80-20k	60-20k	50-20k	45-20k	40-20k	40-20k	45-20k	30-20k
Diámetro del orificio de montaje (Inch./mm)	3, 78	3-9/4, 95	4x6, 101x182	4-1/2, 115	4-1/2, 115	4-1/2, 115	5x7-3/16, 128x182	5-9/8 x 8-7/16, 143x215
Profundidad de montaje superior (Inch./mm)	1/4, 6	1/4, 6	5/16, 7	1/4, 7	3/8, 9	3/8, 9	3/8, 9	7/16, 12
Profundidad de montaje inferior (Inch./mm)	1-1/16, 42	1-1/16, 42	1-1/16, 43	1-3/4, 45	1-1/16, 43	1-1/16, 43	2-3/16, 56	3-9/16, 81
Salida del haut-parleur de graves	1/8, 3	0	0	0	0	0	0	0
Größe	No	OUI	No	OUI	OUI	OUI	No	OUI

Haut-Parleur Coaxiaux DSC



Package Contents:

- (2) DSC Coaxial Speakers
- (8) Mounting screws and speed clips
- (2) Positive-Negative lead wires
- (4) Wire caps

Modelle/	DSC35	DSC4	DSC6	DSC5	DSC65	DSC67	DSC68	DSC683
Speaker Design	2 -Way	2 -Way	2 -Way	2 -Way	2 -Way	2 -Way	2 -Way	3 -Way
Woofer (Inch./mm)	3-1/2, 89	4, 100	4x6, 100x160	5-1/4, 130	6-1/2, 160	6-3/4, 165	6x6, 160x200	6x6, 160x200
Mid (Inch./mm)	1/2, 13	1/2, 13	1/2, 13	1/2, 13	1/2, 13	1/2, 13	1/2, 13	1/2, 13
tweeter (Inch./mm)	4	4	4	4	4	4	4	4
Rated impedance (Ω)	80	120	120	200	240	240	200	390
Peak Power Handling (Watt)	20	30	30	50	60	60	50	90
Continuous Power Handling (Watt RMS)	88	88	88	90	90	90	90	92
Sensitivity (1W, 1m)	80-20k	60-20k	50-20k	45-20k	40-20k	40-20k	45-20k	30-20k
Frequency Response (Hz)	3, 78	3-9/4, 95	4x6, 101x182	4-1/2, 115	4-1/2, 115	4-1/2, 115	5x7-3/16, 128x182	5-9/8 x 8-7/16, 143x215
Mounting Hole Diameter (Inch./mm)	1/4, 6	1/4, 6	5/16, 7	1/4, 7	3/8, 9	3/8, 9	3/8, 9	7/16, 12
Top Mount Depth (Inch./mm)	1-1/16, 42	1-1/16, 42	1-1/16, 43	1-3/4, 45	1-1/16, 43	1-1/16, 43	2-3/16, 56	3-9/16, 81
Bottom Mount Depth (Inch./mm)	1/8, 3	0	0	0	0	0	0	0
tweeter Production (Inch./mm)	1/8, 3	0	0	0	0	0	0	0
Größe	No	Yes	No	Yes	Yes	Yes	No	Yes

DSC Coaxial Speakers

Contenido del paquete:

- (2) Bocinas coaxiales DSC
- (8) Tornillos y presillas de montaje
- (2) Cables Positivo-Negativo
- (4) Tapas para cables

Modelle/	DSC35	DSC4	DSC6	DSC5	DSC65	DSC67	DSC68	DSC683
Diámetro del altavoz (Woofer [Inch./mm])	2 -Way 3-1/2, 89	2 -Way 4, 100	2 -Way 4x6, 100x160	2 -Way 5-1/4, 130	2 -Way 6-1/2, 160	2 -Way 6-3/4, 165	2 -Way 6x6, 160x200	3 -Way 6x6, 160x200
Mesa (Inch./mm)	12, 13	12, 13	12, 13	12, 13	12, 13	12, 13	12, 13	12, 13
tweeter (Inch./mm)	4	4	4	4	4	4	4	4
Impedancia nominal (Ω)	80	120	120	200	240	240	200	390
Manejo de potencia máxima (Watt)	20	30	30	50	60	60	50	90
Manejo de potencia continua (Watt RMS)	88	88	88	90	90	90	90	92
Spannfähigkeit (V, 1m)	80-20k	60-20k	50-20k	45-20k	40-20k	40-20k	45-20k	30-20k
Diámetro del orificio de montaje (Inch./mm)	3, 78	3-9/4, 95	4x6, 101x182	4-1/2, 115	4-1/2, 115	4-1/2, 115	5x7-3/16, 128x182	5-9/8 x 8-7/16, 143x215
Profundidad de montaje superior (Inch./mm)	1/4, 6	1/4, 6	5/16, 7	1/4, 7	3/8, 9	3/8, 9	3/8, 9	7/16, 12
Profundidad de montaje inferior (Inch./mm)	1-1/16, 42	1-1/16, 42	1-1/16, 43	1-3/4, 45	1-1/16, 43	1-1/16, 43	2-3/16, 56	3-9/16, 81
Protrusión del tweeter	1/8, 3	0	0	0	0	0	0	0
Größe	No	SI	No	SI	SI	SI	No	SI

Altavoz Coax DSC

KICKER-Produkte haben eine Garantie gegen Material- und Verarbeitungsfehler. Dauer und Bedingungen der Garantie hängen von den Gesetzen des Landes ab, in dem sie erworben wurden. Bzgl. Einzelheiten wenden Sie sich bitte an Ihren örtlichen KICKER-Händler oder besuchen Sie www.kicker.com/warranty

Los productos KICKER son garantizados contra los defectos. La duración y los modalidades de la garantía dependerán de los países donde se adquirió el producto. Para más detalles consulte a su distribuidor local KICKER o visite el sitio: www.kicker.com/warranty

KICKER products are warranted against defects. Duration and terms of warranty depend on the laws in the country in which it was purchased. For details see your local KICKER Dealer or www.kicker.com/warranty

Our goods come with guarantees that cannot be excluded under the **Australian Consumer Law**. You are entitled to a replacement or refund for a major failure and for compensation for any other reasonably foreseeable loss or damage. You are also entitled to have the goods repaired or replaced if the goods fail to be of acceptable quality and the failure does not amount to a major failure.

Los productos KICKER están garantizados contra defectos. La duración y los términos de la garantía dependen de las leyes del país en donde se realizó la compra. Para más detalles consulte a su distribuidor local de KICKER o visite www.kicker.com/warranty



DSC Coaxial Speakers

Package Contents:

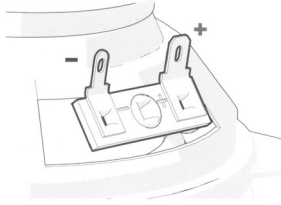
- (2) DSC Coaxial Speakers
- (8) Mounting screws and speed clips
- (2) Positive—Negative lead wires
- (4) Wire caps

Model:	DSC35	DSC4	DSC46	DSC5	DSC65	DSC67	DSC68	DSC693
Speaker Design	2 - Way	2 - Way	2 - Way	2 - Way	2 - Way	2 - Way	2 - Way	3 - Way
Woofer [in, mm]	3-1/2, 89	4, 100	4x6, 100x160	5-1/4, 130	6-1/2, 160	6-3/4, 165	6x8, 160x200	6x9, 160x230
Mid [in, mm]	-	-	-	-	-	-	-	2, 50
Tweeter [in, mm]	1/2, 13	1/2, 13	1/2, 13	1/2, 13	1/2, 13	1/2, 13	1/2, 13	1/2, 13
Rated Impedance [Ω]	4	4	4	4	4	4	4	4
Peak Power Handling [Watts]	80	120	120	200	240	240	200	360
Continuous Power Handling [Watts RMS]	20	30	30	50	60	60	50	90
Sensitivity [1W, 1m]	88	88	88	90	90	90	90	92
Frequency Response [Hz]	80-20k	60-20k	50-20k	45-20k	40-20k	40-20k	45-20k	30-20k
Mounting Hole Diameter [in, mm]	3, 78	3-3/4, 95	4x6, 101x152	4-1/2, 115	4-13/16, 123	5-1/2, 140	5x7 3/16, 126x182	5-5/8 x 8-7/16, 143x215
Top Mount Depth [in, mm]	1/4, 6	1/4, 6	5/16, 7	1/4, 7	3/8, 9	3/16, 4	3/8, 9	7/16, 12
Bottom Mount Depth [in, mm]	1-11/16, 42	1-13/16, 46	1-11/16, 43	1-3/4, 45	1-11/16, 43	1-13/16, 47	2-3/16, 56	3-3/16, 81
Tweeter Protrusion [in, mm]	1/8, 3	0	0	0	0	0	0	0
Grilles	No	Yes	No	Yes	Yes	Yes	No	Yes
Tweeter Magnet Material	Neodymium	Neodymium	Neodymium	Neodymium	Neodymium	Neodymium	Neodymium	Neodymium
Tweeter Dome Material	PEI (polyether imide)	PEI (polyether imide)	PEI (polyether imide)	PEI (polyether imide)	PEI (polyether imide)	PEI (polyether imide)	PEI (polyether imide)	PEI (polyether imide)
Tweeter Design	Balanced dome	Balanced dome	Balanced dome	Balanced dome	Balanced dome	Balanced dome	Balanced dome	Balanced dome
Woofer Cone Material	Polypropylene	Polypropylene	Polypropylene	Polypropylene	Polypropylene	Polypropylene	Polypropylene	Polypropylene
Woofer Surround Material	Polyester foam	Polyester foam	Polyester foam	Polyester foam	Polyester foam	Polyester foam	Polyester foam	Polyester foam

KICKER products are warranted against defects. Duration and terms of warranty depend on the laws in the country in which it was purchased. For details see your local KICKER Dealer or www.kicker.com/warranty.

Our goods come with guarantees that cannot be excluded under the **Australian Consumer Law**. You are entitled to a replacement or refund for a major failure and for compensation for any other reasonably foreseeable loss or damage. You are also entitled to have the goods repaired or replaced if the goods fail to be of acceptable quality and the failure does not amount to a major failure.

Wiring
Cableado
Verkabelung
Câblage



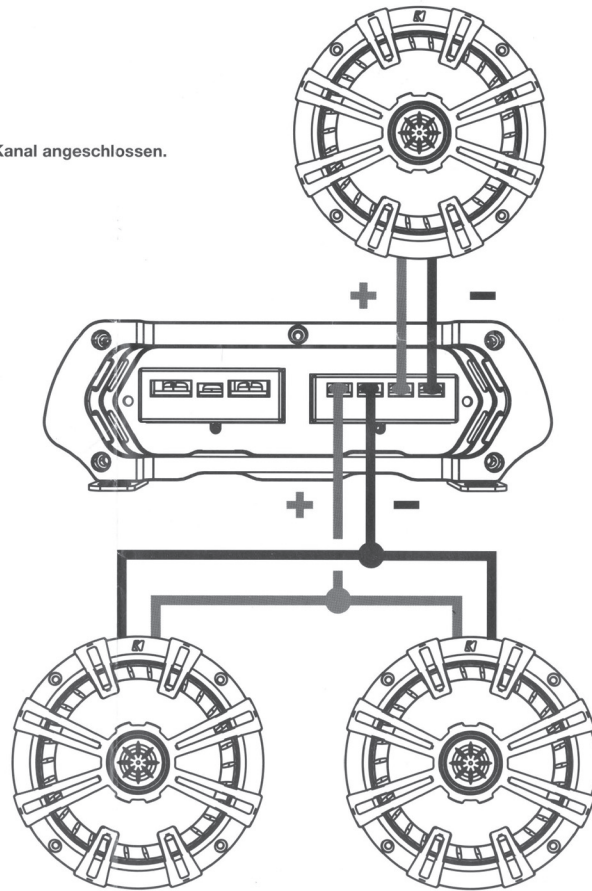
Connect wiring to terminals.
 Conecte el cableado a las terminales.
 Schließen Sie die Kabel an die Klemmen an.
 Connectez le câblage aux bornes.

One DSC Speaker wired to a single channel
 Total Impedance: 4 ohms

Un altavoz conectado a un solo canal.
 Total Impedancia: 4 ohms

Einem DSC Lautsprecher zu einem einzigen Kanal angeschlossen.
 Total Impedanz: 4 ohms

Un DSC haut-parleur branché à un seul canal
 Total Impédance: 4 ohms



Two DSC Speakers wired in parallel to a single channel
 Total Impedance: 2 ohms

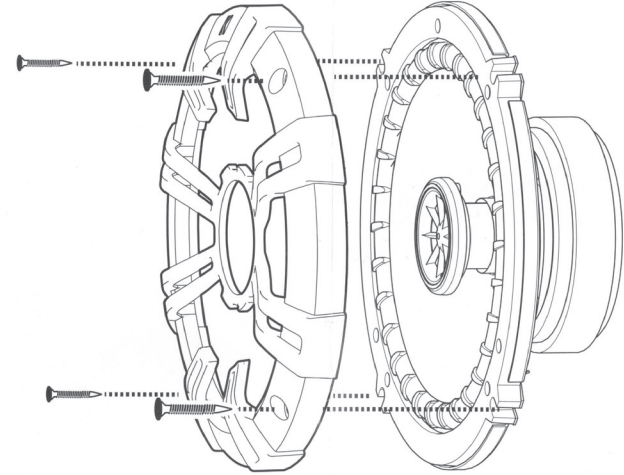
Dos DSC Coax altavoces conectaron en la paralelo a un solo canal
 Total Impedancia: 2 ohms

Zwei DSC Koax-Systeme an einen einzelnen Kanal Paralleler
 Total Impedanz: 2 ohms

Deux haut-parleurs à une parallèle seule
 Total Impédance: 2 ohms

Mounting
Montaje
Einbau
Montage

Secure speaker to desired location.
 Asegure la bocina en la ubicación deseada.
 Befestigen Sie den Lautsprecher am gewünschten Ort.
 Fixez le haut-parleur à l'endroit désiré.



door
 estructura de la puerta
 Türkörper
 corps de porte

door panel
 panel de la puerta
 Türverkleidung
 panneau de porte

speaker cut-out
 orificio del altavoz
 Lautsprecherausschnitt
 découpe de haut-parleur

DSC Speaker
 DSC-Tieftöner

