

KICKER.

L7T
ENCLOSURES
Owner's Manual

TL7T8 | TL7T10
TL7T12

Manual del Propietario | Español
CAJA DE SUBWOOFER L7T

Benutzerhandbuch | Deutsch
L7T TIEFTÖNER GEHÄUSE

Manuel d'utilisation | Française
CAISSON DE GRAVES L7T

Models: TL7T8 | TL7T10 | TL7T12

Authorized KICKER Dealer: _____

Purchase Date: _____

Enclosure Model Number: _____

Enclosure Serial Number: _____

IMPORTANT SAFETY WARNING

Prolonged continuous operation of an amplifier, speaker, or subwoofer in a distorted, clipped or over-powered manner can cause your audio system to overheat, possibly catching fire and resulting in serious damage to your components and/or vehicle. Amplifiers require up to 4 inches (10cm) open ventilation. Subwoofers should be mounted with at least 1 inch (2.5cm) clearance between the front of the speaker and any surface.

CHECK THE LOAD

The L7T subwoofer enclosures are available in 2 or 4 ohm impedance models. Check to see if your amplifier is optimized to drive the load of your L7T enclosure.

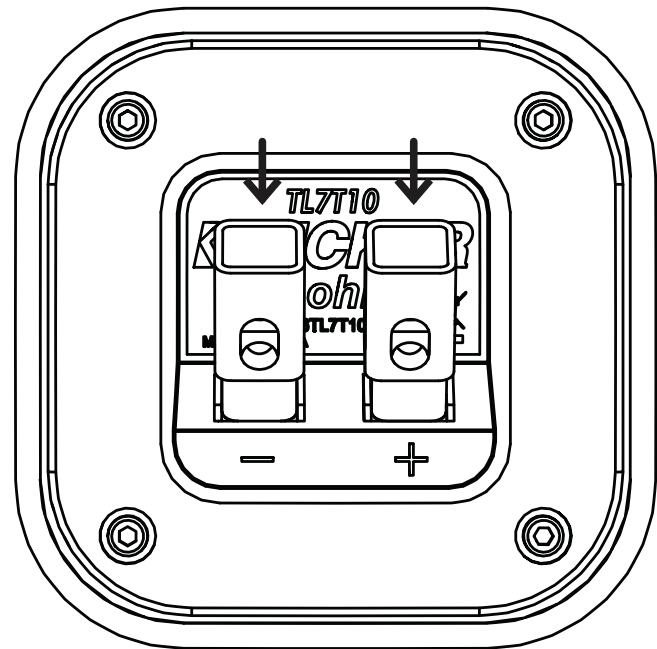
L7T ENCLOSURES

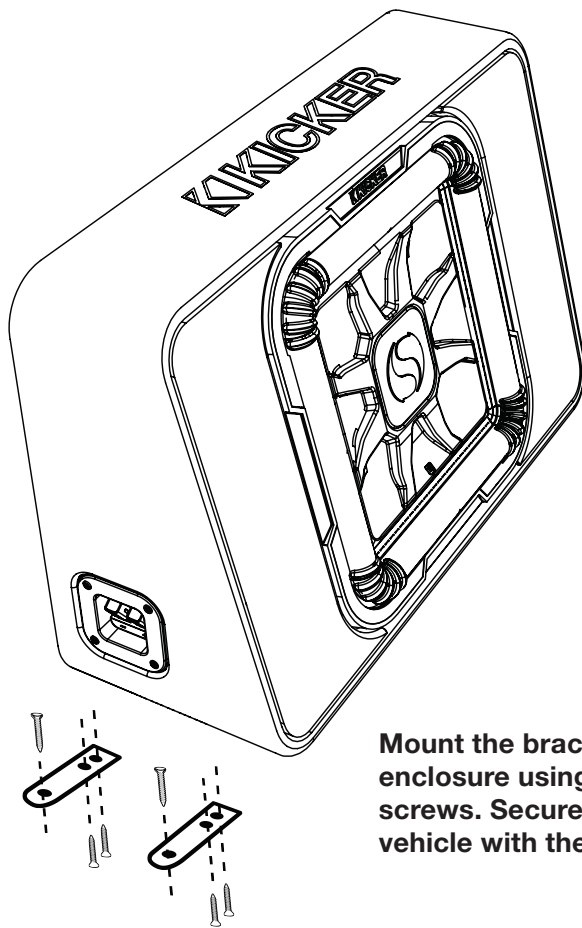
The L7T-series enclosures combine KICKER's award-winning line of subwoofers with computer-modeled and human fine-tuned enclosures to offer a level of bass performance never before thought possible from a commercially available, ready-to-install subwoofer system. The TL7T8 enclosure features an 8 inch L7T subwoofer, the TL7T10 features a 10 inch L7T Subwoofer, and the TL7T12 enclosure features a 12 inch L7T subwoofer.

Plug your subwoofer speaker wire into the terminals using the red connector as positive and the black connector as negative. Connect the other end of the wire to your subwoofer amplifier in accordance with its owner's manual.

Sound Check: *Poor bass response?* Check the system phasing by reversing the positive and negative speaker connections on the subwoofer. If the bass improves, then the subwoofer was out of phase in reference to the rest of the audio system.

Pro Tip: With a KICKER KXA amplifier, a pair of KICKER KSC speakers, and a few KICKER cables, you're looking at a full system upgrade that will dominate! KICKER amplifiers, speakers, and accessories make it easy to upgrade with your existing or stock source unit. Ask your dealer about KICKER amplifiers and speaker upgrades to complete your system!





**Subwoofer grills sold separately
at your local KICKER dealer**

Mount the brackets to the bottom of the enclosure using the supplied smaller screws. Securely attach the enclosure to the vehicle with the supplied larger screws.

IMPORTANT SAFETY WARNING

To avoid potential injury or possible death from forward movement of the enclosure during abrupt stops or accidents, the enclosure must be properly installed and securely fastened to your vehicle. You are solely responsible for securely fastening the enclosure in your vehicle. Make sure the mounting screws will not puncture the gas tank/brake lines/wiring or interfere with any mechanical parts on the underside of the mounting surface.

PERFORMANCE

| Model: | TL7T8 | TL7T10 | TL7T12 |
|---------------------------------------|--------------|---------------|---------------|
| Rated Impedance [Ω] | 2 or 4 | 2 or 4 | 2 or 4 |
| Sensitivity [1W, 1m] | 83.1dB | 84.1dB | 86.1dB |
| Continuous Power Handling [Watts RMS] | 350 | 500 | 600 |
| Frequency Response [Hz] | 30–100 | 25–100 | 25–100 |
| Enclosure Depth 1 [in, cm] | 3-5/8, 9.2 | 4-3/8, 11.3 | 4-3/8, 11.2 |
| Enclosure Depth 2 [in, cm] | 6-1/4, 16 | 7-1/4, 18.5 | 7-3/4, 19.6 |
| Enclosure Height [in, cm] | 11-1/4, 28.5 | 12, 30.4 | 13-3/4, 35 |
| Enclosure Width [in, cm] | 19-5/8, 50 | 20-1/4, 51.5 | 21-1/2, 54.6 |

Note: All specifications and performance figures are subject to change. Please visit www.kicker.com for the most current information. To get the best performance from your new KICKER Subwoofer, we recommend using genuine KICKER Accessories and Wiring. Please allow two weeks of break-in time for the subwoofer to reach optimum performance.

The use of a subsonic filter will significantly increase power handling. The power handling specification in this chart is calculated using a 25Hz, 24dB/octave subsonic filter.

ACOUSTICS LIMITED WARRANTY

When purchased from an Authorized KICKER Dealer, KICKER warrants this product to be free from defects in material and workmanship under normal use for a period of ONE (1) YEAR from date of original purchase. If this product is identified as "Refurbished" or "B Goods", the warranty is limited to a period of THREE (3) MONTHS from date of original purchase. In all cases you must have the original receipt. Should service be necessary under this warranty for any reason due to manufacturing defect or malfunction during the warranty period, KICKER will repair or replace (at its discretion) the defective merchandise with equivalent merchandise. Warranty replacements may have cosmetic scratches and blemishes. Discontinued products may be replaced with more current equivalent products. This warranty is valid only for the original purchaser and is not extended to owners of the product subsequent to the original purchaser. Any applicable implied warranties are limited in duration to a period of the express warranty as provided herein beginning with the date of the original purchase at retail, and no warranties, whether express or implied, shall apply to this product thereafter. Some states do not allow limitations on implied warranties; therefore, these exclusions may not apply to you. This warranty gives you specific legal rights; however you may have other rights that vary from state to state.

WHAT TO DO IF YOU NEED WARRANTY OR SERVICE:

Defective merchandise should be returned to your local Authorized Stillwater Designs (KICKER) Dealer for warranty service. Assistance in locating an Authorized Dealer can be found at www.kicker.com or by contacting Stillwater Designs directly. You can confirm that a dealer is authorized by asking to see a current authorized dealer window decal.

If it becomes necessary for you to return defective merchandise directly to Stillwater Designs (KICKER), call the KICKER Customer Service Department at (405) 624-8510 for a Return Merchandise Authorization (RMA) number. Package only the defective items in a package that will prevent shipping damage, and return to:

Stillwater Designs, 3100 North Husband St, Stillwater, OK 74075

The RMA number must be clearly marked on the outside of the package. Please return only defective component systems. The return of functioning items increases your return freight charges. Non-defective items will be returned freightcollect to you. For example, if a subwoofer is defective, only return the defective subwoofer, not the entire enclosure. Include a copy of the original receipt with the purchase date clearly visible, and a "proof-of-purchase" statement listing the Customer's name, Dealer's name and invoice number, and product purchased. Warranty expiration on items without proof-of-purchase will be determined from the type of sale and manufacturing date code. Freight must be prepaid; items sent freight-collect, or COD, will be refused.

WHAT IS NOT COVERED?

This warranty is valid only if the product is used for the purpose for which it was designed. It does not cover:

- o Damage due to improper installation
- o Subsequent damage to other components
- o Damage caused by exposure to moisture, excessive heat, chemical cleaners, and/or UV radiation
- o Damage through negligence, misuse, accident or abuse. Repeated returns for the same damage may be considered abuse
- o Any cost or expense related to the removal or reinstallation of product
- o Speakers damaged due to amplifier clipping or distortion
- o Items previously repaired or modified by any unauthorized repair facility
- o Return shipping on non-defective items
- o Products with tampered or missing barcode labels
- o Products with tampered or missing serial numbers
- o Products returned without a Return Merchandise Authorization (RMA) number
- o Products purchased from an UNAUTHORIZED dealer
- o Freight Damage
- o The cost of shipping product to KICKER
- o Service performed by anyone other than KICKER

NOTE: All specifications and performance figures are subject to change. Please visit the www.kicker.com for the most current information.

HOW LONG WILL IT TAKE?

KICKER strives to maintain a goal of one-week service for all acoustics (subwoofers, midrange drivers, tweeters, crossovers, etc) returns. Delays may be incurred if lack of replacement inventory or parts is encountered. Failure to follow these steps may void your warranty. Any questions can be directed to the KICKER Customer Service Department at (405) 624-8510. Contact your International KICKER dealer or distributor concerning specific procedures for your country's warranty policies.

INTERNATIONAL WARRANTY

Contact your International KICKER dealer or distributor concerning specific procedures for your country's warranty policies.

Our goods come with guarantees that cannot be excluded under the **Australian Consumer Law**. You are entitled to a replacement or refund for a major failure and for compensation for any other reasonably foreseeable loss or damage. You are also entitled to have the goods repaired or replaced if the goods fail to be of acceptable quality and the failure does not amount to a major failure.

GARANTÍA INTERNACIONAL *Versión Español*

Comuníquese con su concesionario o distribuidor KICKER internacional para obtener información sobre procedimientos específicos relacionados con las normas de garantía de su país.

La frase "combustible para vivir la vida Livin' Loud™ a todo volumen" se refiere al entusiasmo por la vida que la marca KICKER de estéreos de automóvil representa y a la recomendación a nuestros clientes de que vivan lo mejor posible ("a todo volumen") en todo sentido. La línea de altavoces y amplificadores KICKER es la mejor del mercado de audio de automóviles y por lo tanto representa el "combustible" para vivir a todo volumen en el área de "estéreos de automóvil" de la vida de nuestros clientes. Recomendamos a todos nuestros clientes que obedezcan todas las reglas y reglamentos locales sobre ruido en cuanto a los niveles legales y apropiados de audición fuera del vehículo.

INTERNATIONALE GARANTIE *Deutsche Version*

Nehmen Sie mit Ihren internationalen KICKER-Fachhändler oder Vertrieb Kontakt auf, um Details über die Garantieleistungen in Ihrem Land zu erfahren.

Der Slogan "Treibstoff für Livin' Loud" bezieht sich auf die mit den KICKER-Autostereosystemen assoziierte Lebensfreude und die Tatsache, dass wir unsere Kunden ermutigen, in allen Aspekten ihres Lebens nach dem Besten ("Livin' Loud") zu streben. Die Lautsprecher und Verstärker von KICKER sind auf dem Markt für Auto-Soundsysteme führend und stellen somit den "Treibstoff" für das Autostereoerlebnis unserer Kunden dar. Wir empfehlen allen unseren Kunden, sich bezüglich der zugelassenen und passenden Lautstärkepegel außerhalb des Autos an die örtlichen Lärmvorschriften zu halten.

GARANTIE INTERNATIONALE *Version Française*

Pour connaître les procédures propres à la politique de garantie de votre pays, contactez votre revendeur ou distributeur International KICKER.

L'expression "carburant pour vivre plein pot" fait référence au dynamisme de la marque KICKER d'équipements audio pour véhicules et a pour but d'encourager nos clients à faire le maximum ("vivre plein pot") dans tous les aspects de leur vie. Les haut-parleurs et amplificateurs KICKER sont les meilleurs dans le domaine des équipements audio et représentent donc pour nos clients le "carburant pour vivre plein pot" dans l'aspect "installation audio de véhicule" de leur vie. Nous encourageons tous nos clients à respecter toutes les lois et réglementations locales relatives aux niveaux sonores acceptables à l'extérieur des véhicules.

