



Fiat 500 Data Interface 2012-2015

INTERFACE FEATURES

- Provides accessory power (12-volt 10-amp)
- Retains R.A.P. (Retained Accessory Power)
- Used in both amplified and non-amplified systems
- Provides NAV outputs (parking brake, reverse, speed sense)
- Pre-wired AXSWC harness (AXSWC sold separately)
- High level speaker input
- Retains OE BT/USB and 3.5mm audio
- Micro-B USB updatable

INTERFACE COMPONENTS

- AXDI-6515 Interface
- LD-AX-XSVI-FTI Harness

Product Info



TABLE OF CONTENTS

Connections LD-AX-XSVI-FTI.....	2
Installation	3
Programming.....	3

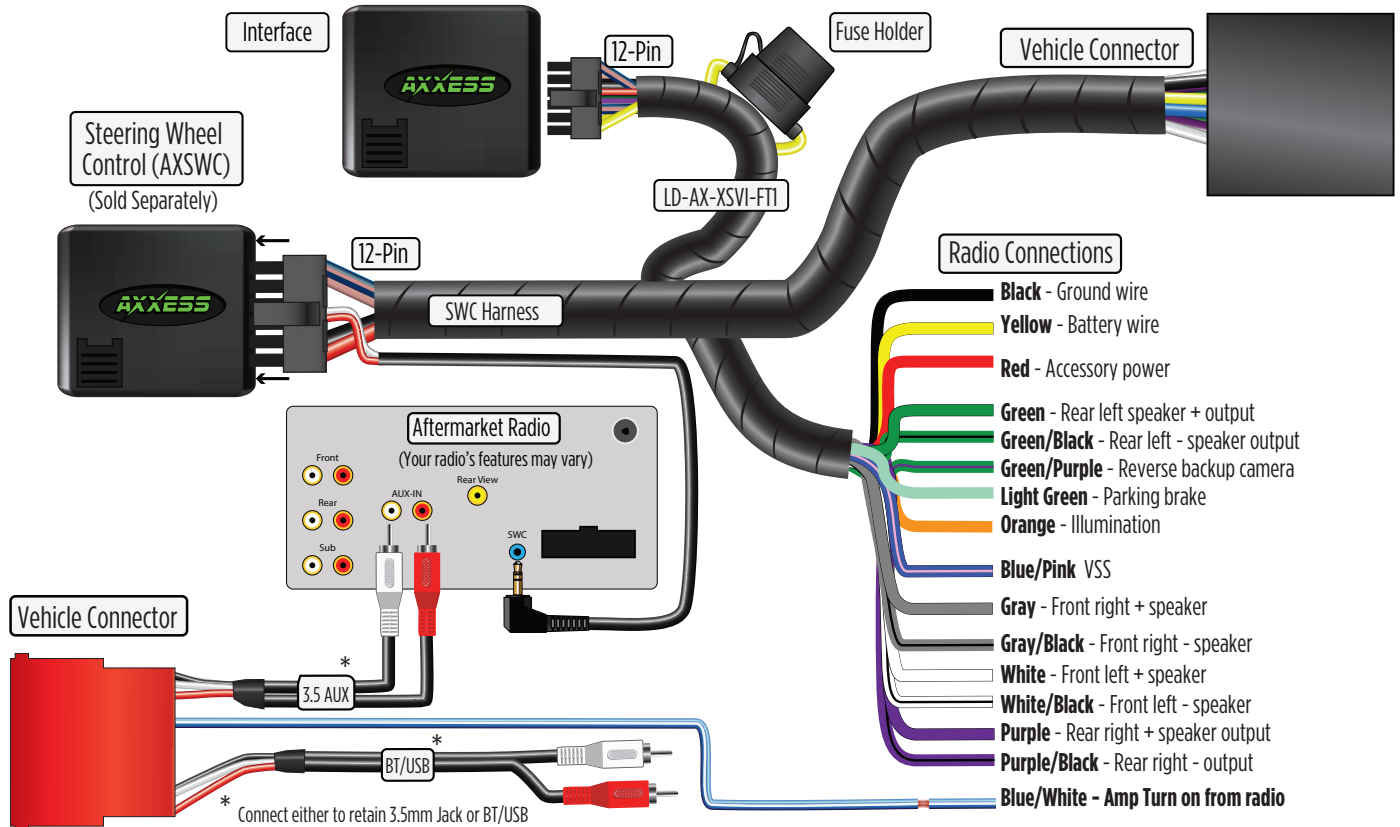
TOOLS & INSTALLATION ACCESSORIES REQUIRED

- Crimping tool and connectors, or solder gun, solder, and heat shrink
- Tape
- Wire cutter
- Zip ties
- Multimeter

Visit AxxessInterfaces.com for more detailed information about the product and up-to-date vehicle specific applications

ATTENTION: With the key out of the ignition, disconnect the negative battery terminal before installing this product. Ensure that all installation connections, especially the air bag indicator lights, are plugged in before reconnecting the battery or cycling the ignition to test this product.
NOTE: Refer also to the instructions included with the aftermarket radio.

CONNECTIONS: LD-AX-XSVI-FT1



INSTALLATION

With the key in the off position:

- Connect the **AXDI-6515 harness** to **AXDI-6515 interface**, and then to the wiring harness in the vehicle.

Note: If using the AXSWC, connect it after you program and test the AXDI-6515, with the key in the off position.

PROGRAMMING

Attention! If the interface loses power for any reason, the following steps will need to be performed again.

- Turn the key (or push-to-start button) to the ignition position and wait until the radio comes on.

Note: If the radio does not come on within 60 seconds, turn the key to the off position, disconnect the interface, check all connections, reconnect the interface, and then try again.

- Turn the key to the off position, and then to the accessory position. Test the interface/radio for proper operation.



AXDI-6515

INSTALLATION INSTRUCTIONS

Having difficulties? We're here to help.



Contact our Tech Support line at:

386-257-1187



Or via email at:

techsupport@metra-autosound.com

Tech Support Hours (Eastern Standard Time)

Monday - Friday: 9:00 AM - 7:00 PM

Saturday: 10:00 AM - 5:00 PM

Sunday: 10:00 AM - 4:00 PM



KNOWLEDGE IS POWER

Enhance your installation and fabrication skills by enrolling in the most recognized and respected mobile electronics school in our industry. Log onto www.installerinstitute.edu or call 386-672-5771 for more information and take steps toward a better tomorrow.



**Metra recommends MECP
certified technicians**