

## DASH DISASSEMBLY INSTRUCTIONS

- 1.) Carefully unsnap the dash panel below the radio that has the 12 volt power receptacle and pocket.
- 2.) Disconnect the 12 volt receptacle harness and remove the dash panel.
- 3.) Remove the (2) 5/16 bolts from below the radio.
- 4.) Carefully unsnap the radio / climate control assembly from the dash and pull forward.
- 5.) Disconnect all harnesses from the radio / climate control assembly and remove.
- 6.) Remove the (3) knobs from the climate controls.
- 7.) Remove the (3) phillips screws securing the climate controls to the back of the panel and remove the climate control assembly.
- 8.) Remove the (4) phillips screws securing the radio to the bracket assembly and remove the factory radio.

## RADIO INSTALLATION INSTRUCTIONS

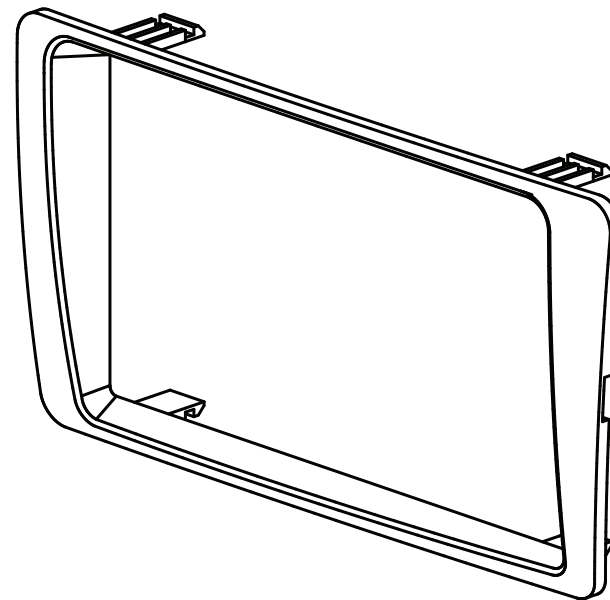
### FOR Double DIN MOUNT APPLICATIONS:

- 1.) Remove (4) phillips screws holding the steel support to the dash panel and remove the support.
- 2.) Attach the HON-K810 to the front of the dash panel.
- 3.) Slide radio into metal bracket from behind and mount using screws supplied with radio.
- 4.) Adjust radio forward or backward for desired look and tighten all mounting screws.
- 5.) Re-install climate controls.

**\*NOTE: You may need to modify or drill new mounting holes on metal bracket for desired look.**



**American  
International**  
Car Stereo Installation Kits & Accessories



**HONK810 Mounting Kit**



**American International**

2500 East Francis Street Ontario, CA 91761, U.S.A.  
USA Sales (800) 336-6500  
Canada Sales (888) 922-3006

## VEHICLE APPLICATIONS

**HONDA**  
2001-05 CIVIC  
(Excluding special edition 2005)

**CUSTOMER HELP LINE**  
USA 800-323-4329 • Canada 800-245-8777

iHONK810