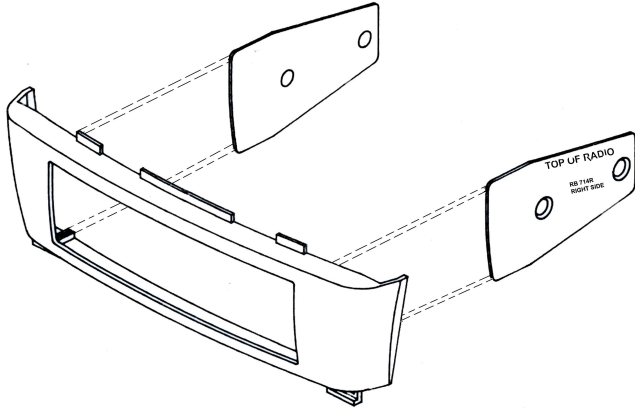


DASH DISASSEMBLY INSTRUCTIONS

1. Gently slide the top pocket above the radio towards you. (do not pull on the lid)
2. Unplug the wire harness and remove the pocket.
3. Gently unsnap and slide forward the trim around the lower pocket area and remove.
4. Remove the (2) phillips screws from the top slides of the radio.
5. Remove the (2) phillips screws at the bottom of the lower pocket area.
6. Gently slide the radio/lower pocket assembly forward.
7. Unplug the wire harnesses and antenna lead.
8. Remove the radio assembly.



RADIO INSTALLATION INSTRUCTIONS

NOTE: Remove metal sleeve from aftermarket radio.
Larger face radios require you to file the opening which allows your radio face to come off or swing open through the face of this kit.

1. Insert side brackets into left and right slots on the back side of your kit.
2. Slide your radio in from the rear and line up the iso mount holes properly.
3. Mount the Factory radio brackets to the sides of the radio/kit assembly; (using 4 screws supplied with your new radio)
4. Connect wiring and antenna lead.
5. Mount radio/bracket assembly to sub-dash.
6. Re-assemble dash.



American International

WWW.AIUS.NET

2500 East Francis Street Ontario, CA 91761, U.S.A.

USA Sales (800) 336-6500

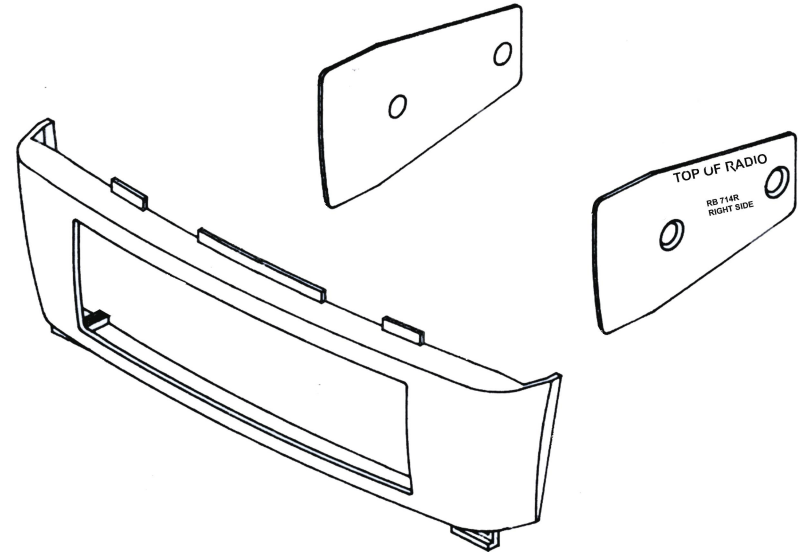
Canada Sales (888) 922-3006

CUSTOMER HELP LINE
USA 800-323-4329 • Canada 800-245-8777

iNDK714



American International
Car Stereo Installation Kits & Accessories



NDK714 Mounting Kit

VEHICLE APPLICATIONS (ISO Mount Only)

Nissan
2000-06 SENTRA