

## KIT ASSEMBLY INSTRUCTIONS

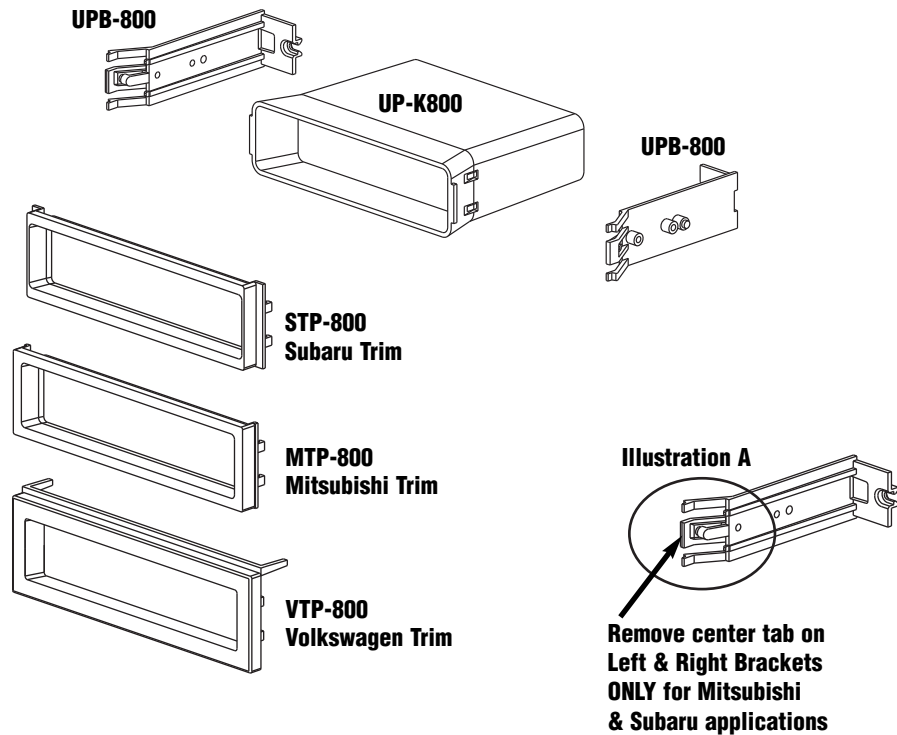
### Mitsubishi and Subaru instructions

**NOTE:** Factory brackets are required for these applications

1. Locate the appropriate trim ring for your vehicle and attach to the front of the pocket.
2. Remove the center locking tab from the side brackets (see Illustration A below).
3. Attach the side mounting brackets to the pocket and secure to the rear of the pocket with the screws provided.
4. Attach the assembled pocket to the hole locations where the factory radio was removed using the screws that were removed from the factory radio.

### Volkswagen instructions

1. Locate part number VTP-800 and attach to the front of the pocket.
2. Attach the side mounting brackets to the pocket and secure to the rear of the pocket with the screws provided.



[WWW.AIUS.NET](http://WWW.AIUS.NET)

2500 East Francis Street Ontario, CA 91761, U.S.A.

USA Sales (800) 336-6500

Canada Sales (888) 922-3006

**CUSTOMER HELP LINE**

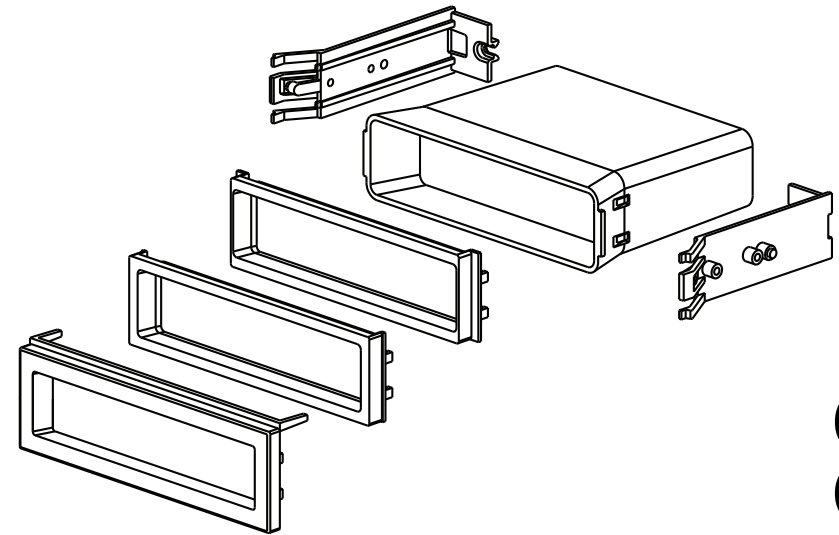
**USA 800-323-4329 • Canada 800-245-8777**

IUPK800



# American International

Car Stereo Installation Kits & Accessories



# UPK800 Multi Pocket Kit

## VEHICLE APPLICATIONS

### Mitsubishi

1997-03 DIAMANTE  
1994-98 GALANT  
1997-04 MONTERO (FULL SIZE)  
1997-99 MONTERO SPORT  
1991-99 3000 GT

### Subaru

2003-07 BAJA  
1998-04 FORESTER  
1993-07 IMPREZA  
2002-07 IMPREZA WRX  
1995-04 LEGACY  
1995-04 OUTBACK

### Volkswagen

2002-05 GLI  
2003-07 GOLF  
2002 GOLF (Double DIN)  
2003-05 GTI (Double DIN)  
1999-02 GTI (Single DIN)  
2003-05 JETTA  
2000-02 JETTA (Double DIN)  
1999-02 JETTA (Single DIN)  
2003-05 PASSAT  
2000-02 PASSAT (Double DIN)