

For information about other American International automotive accessories visit our website at:

<http://www.aius.net>



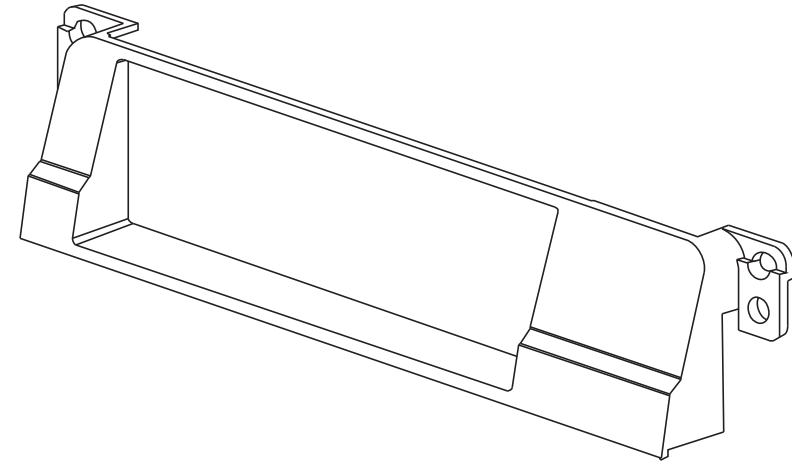
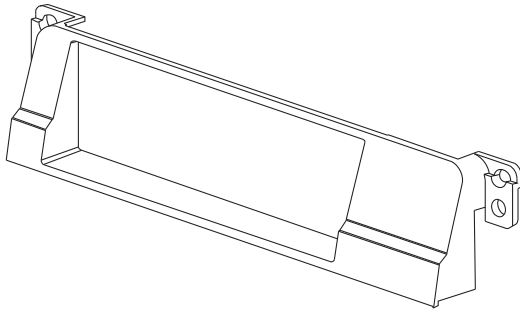
**American
International**
Car Stereo Installation Kits & Accessories

DASH DISASSEMBLY INSTRUCTIONS

1. Gently unsnap the wood trim above the glove box and remove.
2. Gently unsnap the wood trim from around the radio and remove.
3. Remove the (2) Phillips screws securing the factory radio to the sub-dash.
4. Gently pull the radio forward.
5. Disconnect all wiring harnesses and antenna lead from factory radio.

RADIO & KIT INSTALLATION INSTRUCTIONS

1. Slide the Din sleeve into the dash opening and secure into place.
2. Connect the radio to the wire harness.
3. Slide the radio into the Din sleeve until it locks into place.
4. Place the BMW-K300 trim bezel into place, and secure using the (2) Phillips screws from the factory radio.



American International

WWW.AIUS.NET

2500 East Francis Street Ontario, CA 91761, U.S.A.

USA Sales (800) 336-6500

Canada Sales (888) 922-3006

VEHICLE APPLICATIONS

BMW

1999 318 SERIES

1997-01 323 SERIES

2001-05 325 SERIES

1997-01 328 SERIES

2001-05 330 SERIES

BMW K300 Mounting Kit

CUSTOMER HELP LINE

USA 800-323-4329 • Canada 800-245-8777

iBMWK300