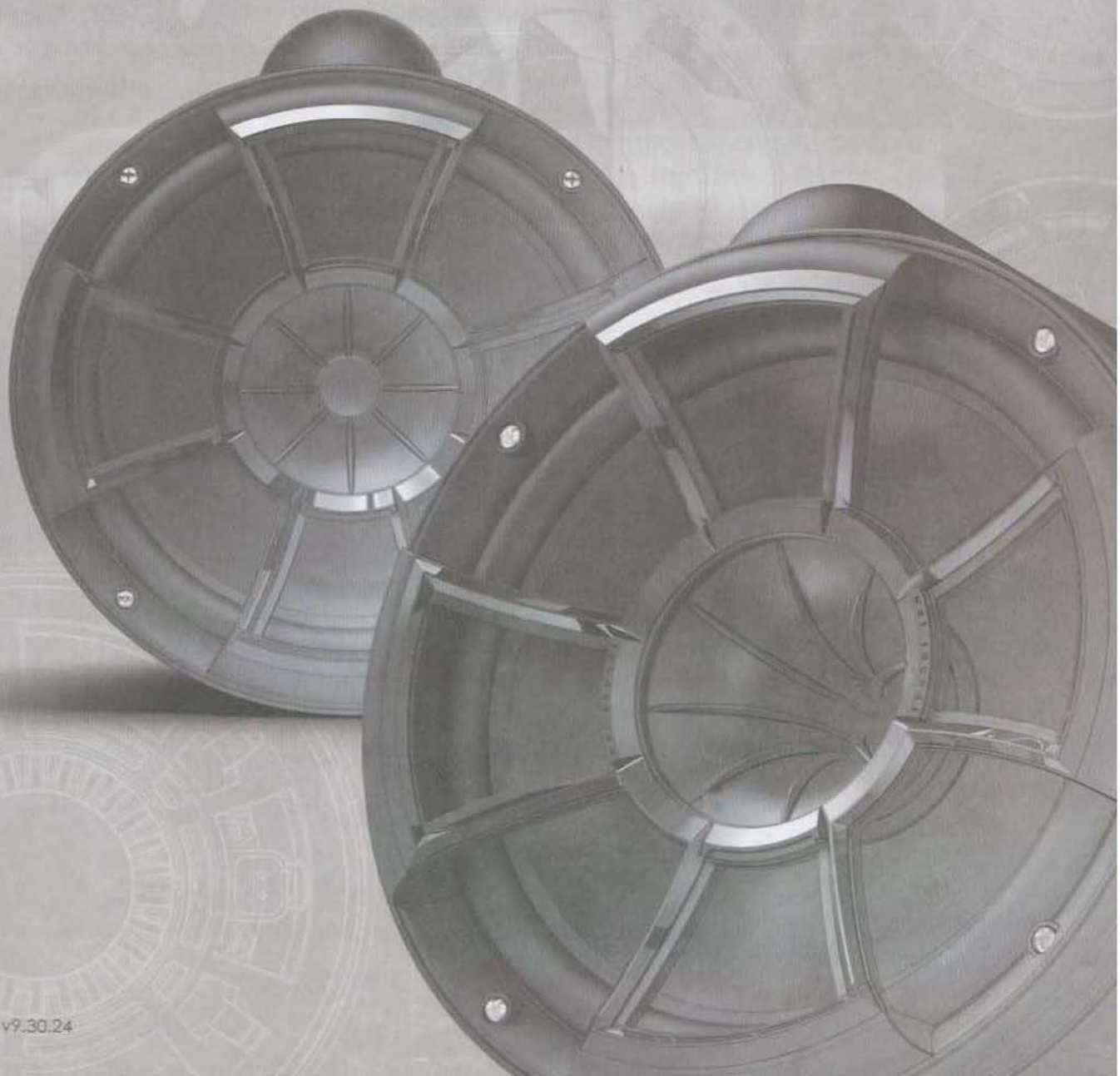


REV8™ SE / REV10™ SE HLCD Tower Speakers
Owner's Manual





Thank you for choosing Wet Sounds™ products!

Wet Sounds' products are designed and crafted to achieve or exceed the highest performance standards in the industry. The Revolution Series is specifically engineered to withstand the rigorous marine environment. Utilizing the state of the art acoustic engineering and three dimensional computer aided design, our "Revolution Technology" represents the most advanced technologies available for wakeboard tower speaker systems. The Revolution series also provides multiple fitment options from direct cast mount to fixed clamp mount to our revolutionary patent stainless steel TC3 Quick Disconnect Swivel clamp. We live and breathe high performance audio so you can enjoy the very best audio experience wherever you go.

Please take a moment to read the instruction manual before starting your installation. This guide will explain the benefits of the technologies developed by Wet Sounds and will help you understand the correct installation methods and use of this product. If you have any questions or concerns, please contact a certified Wet Sounds dealer. You may also contact Wet Sounds technical support by dialing 1-877-WET-SPKR (1-877-938-7757).

!WARNING!

We build all Wet Sounds products to play at high volumes for extended periods of time. Your ears however are not designed for high volume listening. This product can easily generate high volumes that can permanently damage your hearing. We urge you to limit your exposure to very high volume sound. You may also find your state laws governing the volume of an audio system. Please be aware of all local and state laws in your area. A properly tuned and operated audio system will deliver years of enjoyment when used properly.

INTRODUCTION

The Revolution™ series uses our proprietary REV TEC™ technology. Unlike most conventional designs, REV TEC technology provides remarkable volume and amazing full range sound quality on axis and off axis at long distances. Extensive acoustic testing has confirmed these speakers ability to project volume at 80 feet and beyond without any loss of detail or information. Not only does the Revolution series achieve volume and sound quality at a minimum of 80 ft, but with the REV TEC technology the rider can enjoy quality sound while riding outside the wake and being almost parallel to boat. Taking high performance wakeboard tower speakers to the next level, Wet Sounds has consulted with experts who spent countless hours examining the human auditory system to find out which frequencies affect your ears the most at loud volumes. The Revolution series has been designed from the ground up to provide stunning output while eliminating certain frequencies that give that "ringing" or harsh sound associated with loud volumes. This allows the Revolution speakers to provide maximum output while still providing world class sound quality without the listener fatigue usually associated with high volumes. The driver compliment in each REV SE model combines one Kevlar reinforced EFG™ driver and one concentrically mounted HLCD (Horn Loaded Compression Driver) which provide stellar performance and higher performance for the marine environment. Wet Sounds™ developed a proprietary cone material called EFG™, which is an epoxy and fiberglass composite mix. Adding a reinforcement of Kevlar, the mid bass cones become more rigid without any added weight. This cone material incorporates characteristic values that are impermeable to damage from intermittent Ultra Violet exposure and minimal moisture exposure. Like the EFG™ cone material, the Polyurethane that is used for the surround will provide protection against Ultra Violet exposure and moisture. This will prevent deterioration of the surround yielding longer life and better reliability. We do, however, encourage you to either remove or cover your tower speakers when they are not in use. Limiting exposure to Ultra Violet Rays and to moisture will help extend the life of your tower speakers. The high frequency transducer is our proprietary titanium Wet Sounds HLCD (horn loaded compression driver). This driver was designed to provide a wide; horizontal trajectory that would not only produce sound in the directed path but will disperse sound off axis with little to no degradation. The HLCD is considered to be one of the most efficient transducer designs providing remarkable output while using less power. Our unique (patent protected) design incorporates the HLCD mounted to the rear of the mid bass driver. Our Pro-Axial™ design allows the compression sound to travel through the voice coil former and out of the (patent protected) horn flare that is mounted coaxially. This provides phenomenal volume and accurate clarity.

***Caution: Do not spray any of the speakers directly with any liquid base substance. Warranty will be voided if improper care is discovered during extensive examination of the product.

TECHNICAL SPECIFICATIONS

Tech Spec.	REV 8 SE	REV 10 SE
Power RMS/PEAK	200W/400W	300W/600W
Impedance (Ohms)	4Ω	4Ω
Freq. Response	20Hz - 20kHz	20Hz - 20kHz
Input Sensitivity	92dB @ 1W/m	92dB @ 1W/m

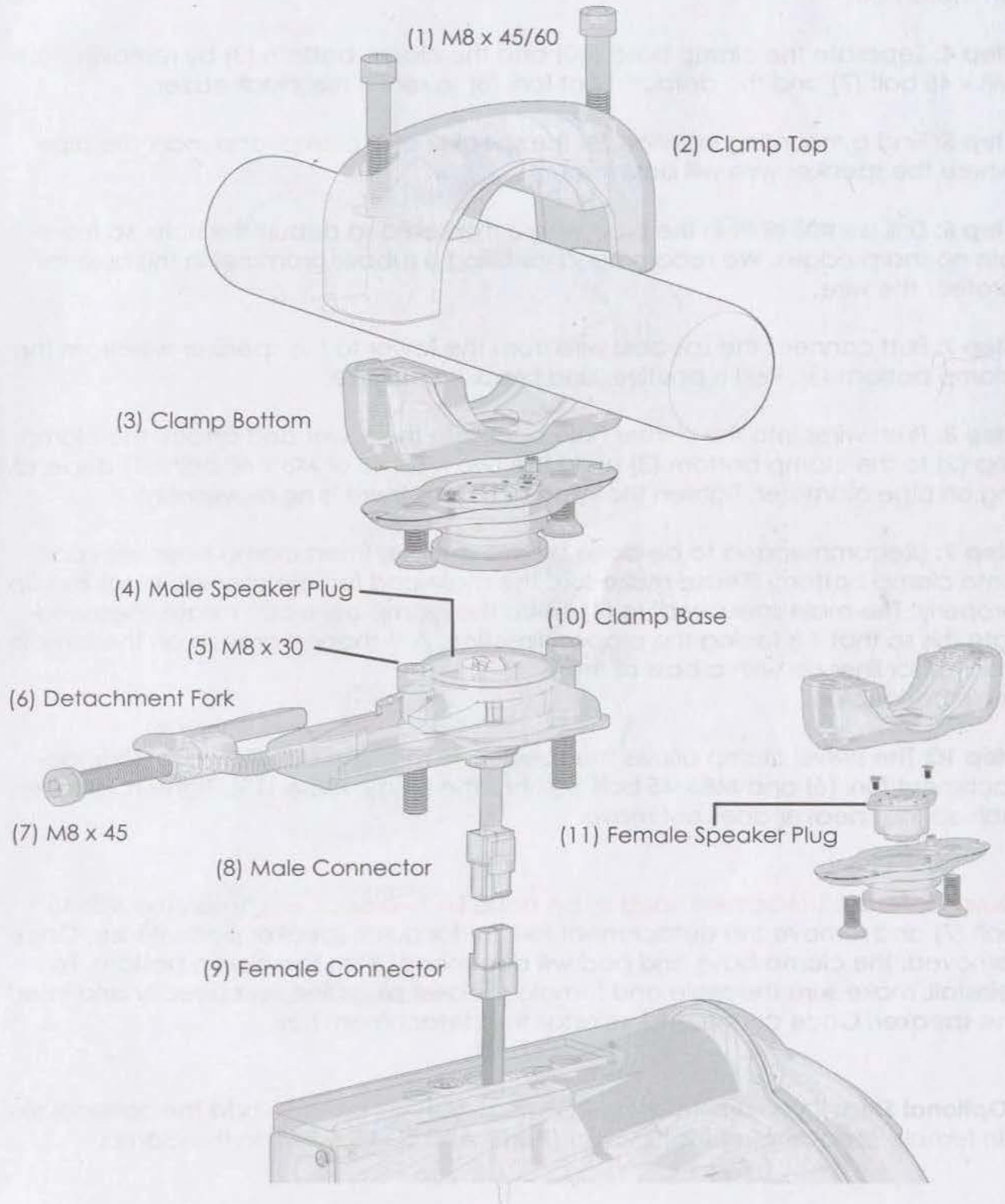
Mid Bass: Kevlar reinforced EFG™ cone woofers with polyurethane surround

High Frequency: Pro-Axial™ Driver - coaxially mounted Titanium diaphragm high output horn loaded compression driver



INSTALLATION SPECIFICATIONS

ADP-TC3-S | Swivel Clamp (tube diameter 1 7/8" to 3")



Step 1: Attach Male Connector (8) from clamp base to Female Connector (9)

Step 2: Push all wires and connectors into the pod's center hole as you place the clamp base (10) onto the speaker pod.

Step 3: Attach two M8 x 30 bolts (5) through the clamp base (10) and tighten them into the pod. Please make sure these are tight. We recommend using threadlocker on these bolts.

Step 4: Separate the clamp base (10) and the clamp bottom (3) by removing the M8 x 45 bolt (7) and the detachment fork (6) to make the install easier.

Step 5: Find a mounting location for the speaker and clamp, and mark the pipe where the speaker wire will pass through.

Step 6: Drill a small hole in the pipe where marked and deburr the hole, so there are no sharp edges. We recommend installing a rubber grommet in this hole to protect the wire.

Step 7: Butt connect the speaker wire from the tower to the speaker wire from the clamp bottom (3). Red is positive, and black is negative.

Step 8: Push wires into the center hole back into the tower and attach the clamp top (2) to the clamp bottom (3) using the two M8 x 45 or M8 x 60 bolts (1) depending on pipe diameter. Tighten the Allen bolts until there is no movement.

Step 9: (Recommended to be done by two people) Insert clamp base with pod onto clamp bottom. Please make sure the male and female speaker plugs line up properly. The male speaker plug (4) inside the clamp base can rotate. Please rotate this so that it is facing the proper direction. A U-shaped groove on the female connector lines up with a boss of the male connector.

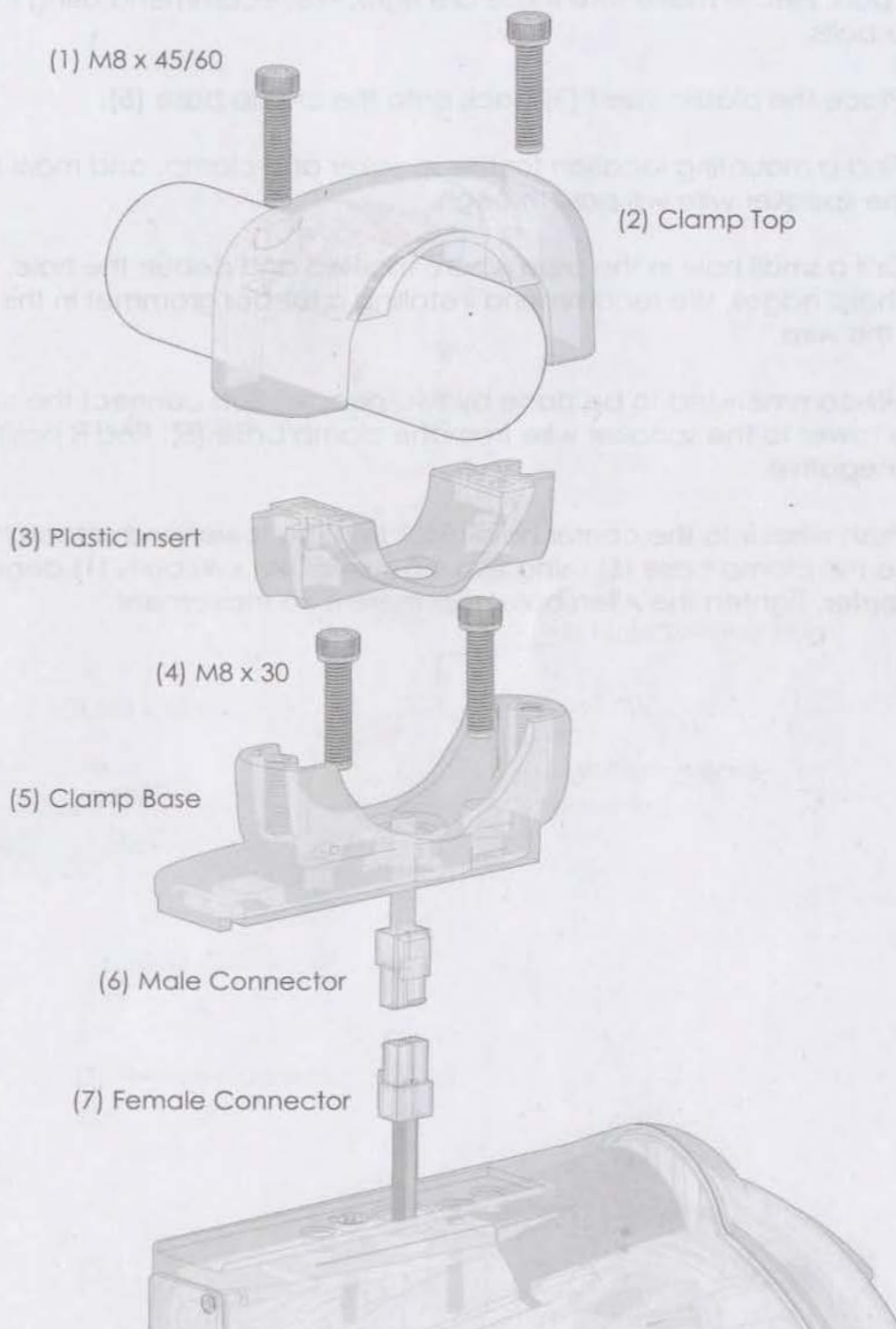
Step 10: The swivel clamp allows the speaker to rotate in any direction. Slide detachment fork (6) and M8 x 45 bolt (7) onto the clamp base (10). Tighten the Allen bolt, so the speaker does not move.

Quick Release: (Recommended to be done by two people) Loosen the M8x45 bolt (7) and remove the detachment fork (6) for quick speaker pod release. Once removed, the clamp base and pod will disconnect from the clamp bottom. To reinstall, make sure the male and female speaker plugs line up correctly and insert the speaker. Once connected, reinstall the detachment fork.

***Optional Step:** If you are installing RGB rings, you will need to add the optional six-pin female speaker plug (not shown) (Part# ADP TC3-S 6-PIN) to the clamp.

INSTALLATION SPECIFICATIONS

ADP-TC3-F | Fixed Clamp (tube diameter 1 7/8" to 3")



Step 1: Attach Male Connector (6) from clamp base to Female Connector (7)

Step 2: Remove the plastic insert (3) from the clamp base (5).

Step 3: Push all wires and connectors into the pod's center hole as you place the clamp base (5) onto the speaker pod.

Step 4: Attach two M8 x 30 bolts (4) through the clamp base (5) and tighten them into the pod. Please make sure these are tight. We recommend using threadlocker on these bolts.

Step 5: Place the plastic insert (3) back onto the clamp base (5).

Step 6: Find a mounting location for the speaker and clamp, and mark the pipe where the speaker wire will pass through.

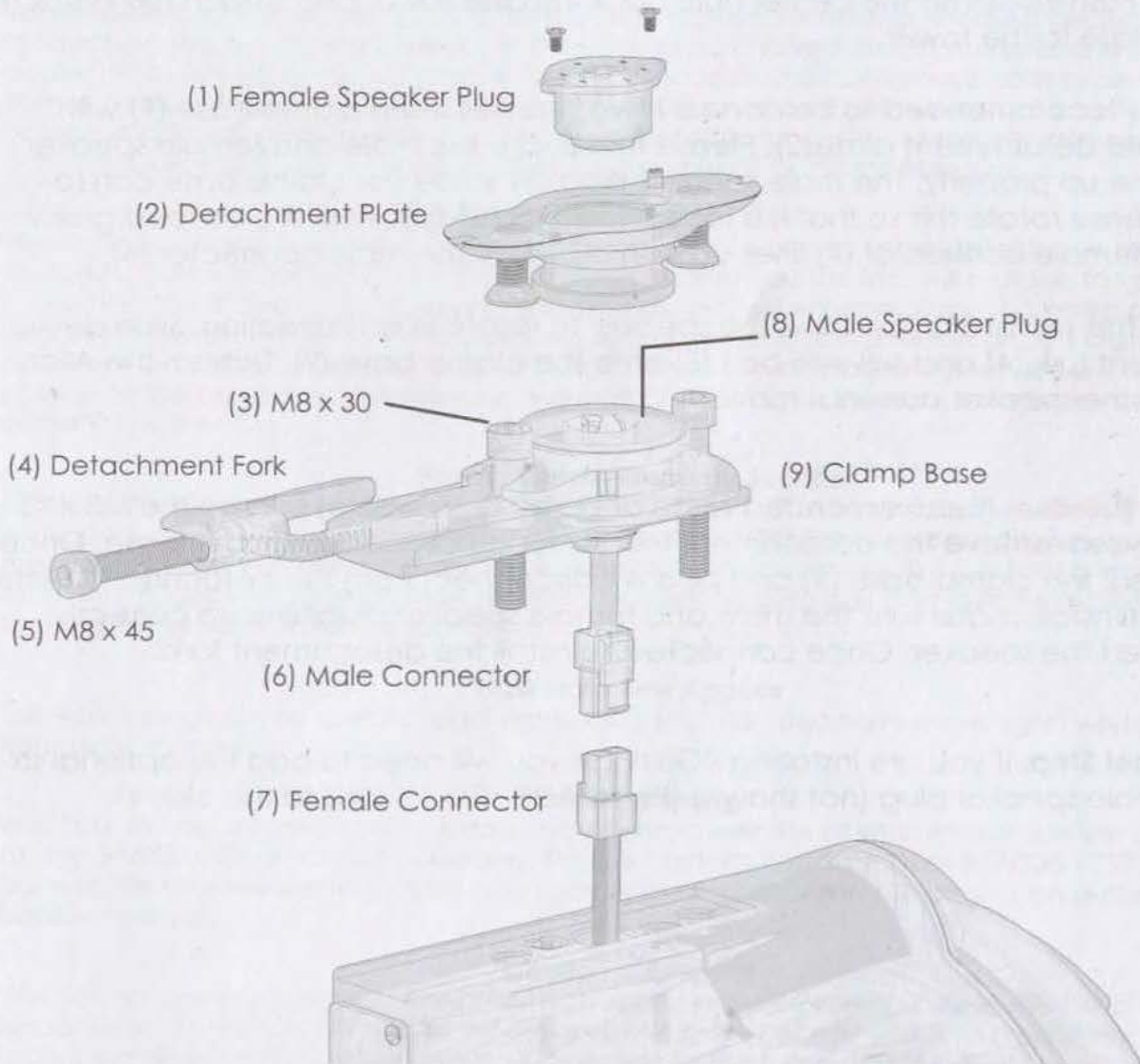
Step 7: Drill a small hole in the pipe where marked and deburr the hole, so there are no sharp edges. We recommend installing a rubber grommet in this hole to protect the wire.

Step 8: (Recommended to be done by two people) Butt connect the speaker wire from the tower to the speaker wire from the clamp base (5). Red is positive, and black is negative.

Step 9: Push wires into the center hole back into the tower and attach the clamp top (2) to the clamp base (5) using two M8 x 45 or M8 x 60 bolts (1) depending on pip diameter. Tighten the Allen bolts until there is no movement.

INSTALLATION SPECIFICATIONS

ADP-TC3-SXM | Swivel Base Mount (surface mounting)



Step 1: Attach Male Connector (6) from clamp base to Female Connector (7)

Step 2: Push all wires and connectors into the pod's center hole as you place the clamp base (9) onto the speaker pod.

Step 3: Attach two M8 x 30 bolts (3) through the clamp base (9) and tighten them into the pod. Please make sure these are tight. We recommend using threadlocker on these bolts.

Step 4: Separate the clamp base (9) and the detachment plate (2) by removing the M8 x 45 bolt (5) and the detachment fork (4) to make the install easier. Now you can mount the detachment plate to the tower without holding the entire speaker in place.

Step 5: The detachment plate (2) will be hard mounted to a cast tower. Butt connect speaker wires from the female speaker plug (1) to the speaker wires from the tower. Red is speaker positive, and Black is speaker negative.

Step 6: Push wires into the center hole back into the tower and attach the detachment plate to the tower.

Step 7: (Recommended to be done by two people) Insert clamp base (9) with pod onto detachment plate(2). Please make sure the male and female speaker plugs line up properly. The male speaker plug (8) inside the clamp base can rotate. Please rotate this so that it is facing the proper direction. A U-shaped groove on the female connector (7) lines up with a boss of the male connector (6).

Step 8: The swivel clamp allows the speaker to rotate in any direction. Slide detachment fork (4) and M8 x 45 bolt (5) onto the clamp base (9). Tighten the Allen bolt, so the speaker does not move.

***Quick Release:** (Recommended to be done by two people) Loosen the M8 x 45 bolt (5) and remove the detachment fork (4) for quick speaker pod release. Once removed, the clamp base (9) and pod will disconnect from the detachment plate (2). To reinstall, make sure the male and female speaker plugs line up correctly and insert the speaker. Once connected, reinstall the detachment fork.

***Optional Step:** If you are installing RGB rings, you will need to add the optional six-pin female speaker plug (not shown) (Part# ADP TC3-S 6-PIN) to the clamp.

LIMITED WARRANTY

What This Warranty Covers

This is a "Limited" warranty. This warranty covers any defects in materials and workmanship and the warranty only applies to the original purchaser and is not transferable. This warranty is only valid if the original purchase was made from an authorized Wet Sounds dealer.

How Long Coverage Lasts

This warranty runs for 2 years from the date of the purchase.

What Is Not Covered

This warranty does not cover fading or discoloration caused by exposure to sunlight or chemicals such as ammonia, household bleach, or any cleaning material that contains abrasive substances. For information on how to prevent fading or discoloration, consult recommendations on cleaning products. Wet Sounds, Inc. does not cover the cost for removal and reinstallation of any kind. Additionally, shipping to Wet Sounds, Inc. is covered by the purchaser. This warranty is void and inapplicable if Wet Sounds deems that the product was abused or misused; including but not limited to Speaker product that has been improperly-powered (under or over powered), causing thermal (burnt voice coil) and/or mechanical failure (torn surrounds or spiders), damage caused by accident, mishandling, improper installation, negligence, normal wear and tear, excessive water or heat damage, freight damage or products that have been altered in any way. (The warranty is not transferable and will neither apply to products purchased from unauthorized dealers nor product owned by anyone other than the original purchaser from an authorized Wet Sounds dealer.) Wet Sounds is not responsible for any damages to a consumer's boat or person from a product failure. The warranty is void if Wet Sounds deems the product was installed or used improperly. Wet Sounds shall not be responsible for any incidental or consequential damages, except to the extent provided (or prohibited) by applicable law.

What Wet Sounds, Inc. Will Do

Wet Sounds, Inc will repair any part of your product that proves to be defective in materials or workmanship. In the event repair is not possible, Wet Sounds, Inc. will replace the product in question. If it is deemed necessary, Wet Sounds, Inc. will either replace the entire product with a refurbished unit or it will be replaced with a model that is similar in price if that model is no longer available. Labor cost and materials needed to complete this service will be at no charge to the purchaser. Additionally, the cost of shipping to the consumer is also covered under this warranty.

How to Obtain Warranty Service

Contact Wet Sounds, Inc. either by phone at 877-938-7757 or by email at warranty@wetsounds.com. A service representative will assist you in the necessary actions to verify that the problem that you are experiencing is covered under warranty. If it is in fact a warranty issue, Wet Sounds will issue an RMA number for tracking purposes and give instructions on sending the product in for evaluation.

How State Law Applies

This warranty gives you specific legal rights, and you may also have other rights which vary from state to state.

Internet Warning

Wet Sounds, Inc. products sold on any unauthorized website or internet auction site are void of any and all manufacturer's warranty. Please contact Wet Sounds at 877-938-7757 or visit our website at www.wetsounds.com to search for an authorized site and/or an authorized retailer near you.

Caution & Respect

Wet Sounds speakers can achieve very high sound pressure levels. Please use this product responsibly. Be aware that sound travels great distances across water so please respect other boaters especially while loading/unloading at the ramp or dock. Wet Sounds, Inc. is not responsible for any violations of the law that may be a direct result of excessive volume. Please abide by the rules but have fun doing it.



REV SE TOWER SPEAKERS



Wet Sounds, Inc.
www.wetsounds.com
877-938-7757

2975 Louise Street
Rosenberg, Texas 77471 USA