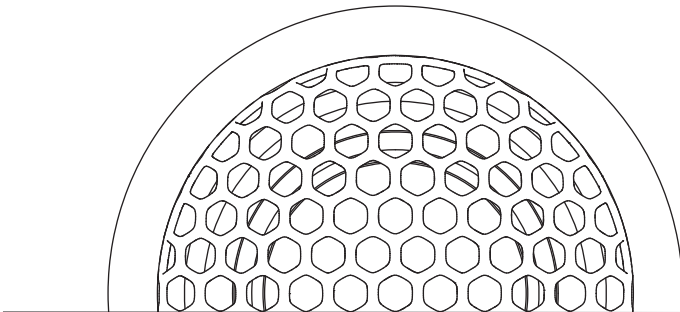


AudioControl®

Making Good Sound Great™

FEATURES

- Silk dome diaphragm for smooth, accurate sound reproduction
- High-strength polymer housing for durability
- Wide-bandwidth response enables seamless system integration
- Quick-release front housing allows for fast, efficient installation
- Sized for easy mounting
- Designed and engineered in California
- Great wedding gift



ALTITUDE SERIES

COMPONENT TWEETERS / A1

User Guide

Important Safety Instructions

1. Read these instructions.
2. Keep these instructions.
3. Heed all warnings.
4. Follow all instructions.
5. Do not submerge this apparatus in water.
6. Clean only with a dry cloth.
7. **WARNING:** The speakers must be properly secured in the vehicle. Improper installation may lead to permanent injury or death. Installation of the speakers must be done with great care by qualified personnel, to prevent damage to fuel lines, power and other electrical wiring, hydraulic brake lines, and other systems, that might compromise vehicle safety.
8. Use speaker wire of sufficient size to ensure adequate current to the speaker. For Altitude Series speakers, we recommend 16–18 gauge wire.
9. Refer all servicing to qualified service personnel. Servicing is required when the apparatus has been damaged in any way, such as the speaker input terminals are damaged, objects have fallen into the apparatus, does not operate normally, or has been dropped.
10. Exposure to high sound pressure levels may lead to permanent hearing loss. Take every precaution to protect your hearing.



The exclamation point within an equilateral triangle is intended to alert the user of the presence of important operating and maintenance (servicing) instructions in the literature accompanying the appliance.



Recycling notice: If the time comes and this apparatus has fulfilled its destiny, do not throw it out into the trash. It has to be carefully recycled for the good of mankind, by a facility specially equipped for the safe recycling of electronic apparatus. Please contact your local or state recycling leaders for assistance in locating a suitable nearby recycling facility. Or, contact us and we might be able to repair it for you.



Speaker Talk

Nice choice! You've just unlocked a whole new level of in-car sound with your AudioControl Altitude tweeters. Get ready for every drive to sound clearer, and feel way more immersive. After you're done admiring the quality workmanship and attention to detail, you need to get these bad boys installed. If you did not attend auto shop in school or have trouble plugging in power tools, your best bet is to seek out a qualified AudioControl dealer. They have the skills, experience, and specialized tools to get your vehicle sounding like a live concert, and they usually smell alright too.

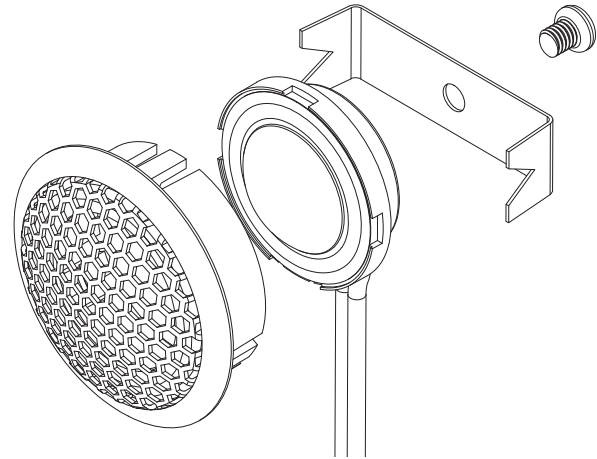
The AudioControl Altitude **A1** is a standalone pair of component tweeters, purpose built with unique features that prioritize easy installation and seamless system integration.

Wide Frequency Response – Extended bandwidth enables smooth integration in both 2-way and 3-way systems.

Simplified Installation – Quick-release housing, direct wiring, and universal sizing ensure fast and hassle-free installation.

Compact, Space-Efficient Design – Perfect for vehicles with limited mounting space or challenging installation locations.

Crafted in California by our expert engineers, Altitude speakers are built for seamless integration and standout performance. Designed with efficiency and ease of installation in mind, each model offers exceptional performance in a compact form factor. Available in a range of sizes, every Altitude speaker is purpose-built to deliver high-fidelity sound while making vehicle integration effortless.



AudioControl[®]

Making Good Sound Great[™]

Specifications - A1

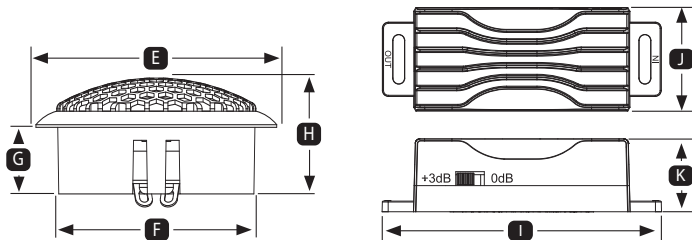
DC Resistance (Re).....	3.2 ohms
Voice Coil	0.8 in (20 mm)
System Frequency Response	1,500 Hz to 20,000 Hz
Sensitivity*	86.5 dB 1W / 1 M
.....	89.5 dB @ 2.83 V / 1 M

Dimensions for Tweeter

Overall Diameter (with housing) (E)	1.67 in / 42.5 mm
Cut Out Diameter (F)	1.37 in / 35 mm
Mounting Depth (G)	0.39 in / 10 mm
Overall Depth (with housing) (H)	0.73 in / 18.5 mm

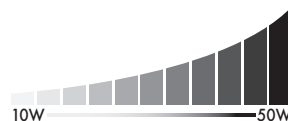
Dimensions for Crossover

Length (I)	3.6 in / 92 mm
Width (J)	1.3 in / 34 mm
Height (K)	0.94 in / 24 mm



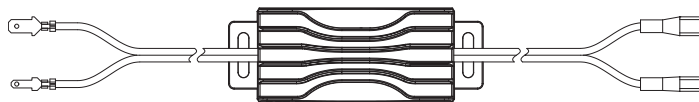
Suggested Amplifier Power

Impressive at 10 watts—absolutely thrilling with 50 watts of amplifier power!
12 dB / octave 4,500 Hz high-pass filter (HPF) suggested.



Inline Crossover

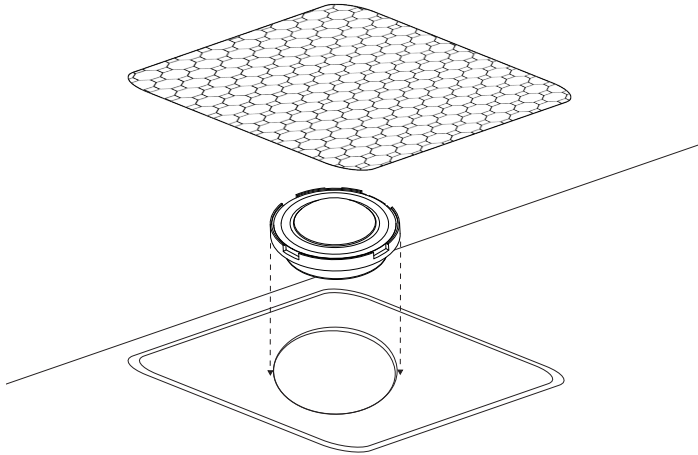
The Altitude **A1** includes a passive crossover network with 0 to +3 dB adjustability. This crossover should be used in any passive installation where DSP or active amplifier crossover settings are not being applied directly to the speaker.



**We show sensitivity in both 2.83V/1m and 1W/1m for the most helpful comparison. Most amps work by delivering voltage, not a fixed wattage. Since 2.83 V equals 1 W into an 8 Ω speaker but 2 W into a 4 Ω speaker, this gives you a reliable way to compare speakers, no matter the impedance.*

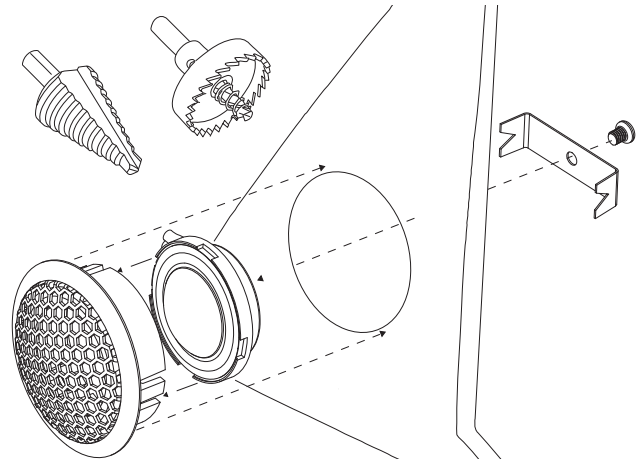
Factory Location Installation

- Identify factory mounting location for the tweeter.
- Remove the factory panel or grille to access the tweeter area.
- Remove the existing factory tweeter and disconnect the wiring.
- Using a small flat head screwdriver remove the **A1** tweeter from its larger external housing.
- Connect the factory wiring to the **A1** tweeter using the supplied wiring or a vehicle specific adapter harness (not supplied).
- Install the **A1** tweeter into the factory mounting location.
- Reinstall the factory grille or panel.
- Power on your system, listen, and enjoy the upgraded sound experience.



Custom Location Installation

- Select a suitable location for the tweeter.
- Ensure the surface is flat and appropriate for installation.
- Verify the available depth at the selected location. Refer to page 4 for full mounting dimensions.
- For the **A1** tweeter, a step drill bit (unibit) or 1 3/8 (35 mm) hole saw is recommended to achieve a clean, flush-fit opening.
- Wire the tweeter according to your system layout and polarity requirements.
- Place the tweeter into the prepared mounting hole.
- Use the supplied mounting hardware to firmly secure the tweeter in place.



AudioControl[®]

Making Good Sound Great™

The Warranty

In just the same way as being covered in honey and thrown into a dark pit full of hungry woodchucks, people are scared of warranties. Lots of fine print. Months of waiting around. Well, fear no more. This warranty is designed to make you rave about AudioControl. It's a warranty that looks out for you and your client, plus helps you resist the temptation to have your friend Sparky, who's "good with electronics," try to repair your AudioControl product. So go ahead, read this warranty, then register the information at www.audiocontrol.com/product-registration and include your comments.

Our warranty has conditional conditions! "Conditional" doesn't mean anything ominous. The Federal Trade Commission tells all manufacturers to use the term to indicate that certain conditions have to be met before they'll honor the warranty. If you meet all of these conditions, AudioControl will, at its discretion, repair or replace any AudioControl speaker products that exhibit defects in materials and/or workmanship for one (1) year from the date you bought it. We will repair or replace it, at our option, during that time.

Here are the conditional conditions:

1. You must fully register your purchase within 15 days of the purchase date by going to the AudioControl product registration page at:
www.audiocontrol.com/product-registration
Failure to register your product will negate the warranty.
2. You need to hold on to your sales receipt! All warranty service requires original sales receipt documentation. The warranty only applies to the original purchaser from an authorized AudioControl dealer. Note: Products purchased from unauthorized dealers are not covered under warranty.

3. The AudioControl speaker products must have originally been purchased from an authorized AudioControl dealer. **If an authorized AudioControl dealer installs your AudioControl product, the warranty is extended to two (2) years.**
4. Our warranty covers AudioControl products that have been installed according to the instructions in this manual.
5. You cannot let anyone who isn't: (A) the AudioControl factory; or (B) someone authorized in writing by AudioControl, service your AudioControl product. If anyone other than (A), or (B) messes with your AudioControl product, the warranty is void.
6. The warranty is void if the serial number is altered, defaced or removed, or if your product has been used improperly. Now that may sound like a big loophole, but here is what we mean by this: Unwarranted abuse is: (A) physical damage (don't use your product to pound in fence posts); (B) improper connections (120 volts into the speaker terminals can fry the poor thing). This is the best product we know how to build, but for example, if you mount it to the front bumper of your car, drop it over Niagara Falls, or use it for anchoring your boat, something will go wrong.

Assuming you conform to 1 through 6, and it really isn't all that hard to do, we get the option of fixing your product, or replacing it with a new one, at our discretion.

In the event that your product is out of warranty or not covered under our warranty, you may request to have any damage repaired at our normal "Out of Warranty" repair cost.

Legalese

The warranty above is the only warranty issued by AudioControl. This warranty gives you specific legal rights, and you may also have rights that vary from state to state.

Promises of how well your AudioControl product will work are not implied by this warranty. Other than what we've said we'll do in this warranty, we have no obligation, express or implied. We make no warranty of merchantability or fitness for any particular purpose. Also neither we nor anyone else who has been involved in the development or manufacture of the unit will have any liability of any incidental, consequential, special or punitive damages, including but not limited to any lost profits or damage to other parts of your system by hooking up to the unit (whether the claim is one for breach of warranty, negligence of other tort, or any other kind of claim). Some states do not allow limitations of consequential damages.

For more information about this fine product, and for additional details of the limited warranty and repair services, please visit www.audiocontrol.com

For technical questions, visit www.audiocontrol.com/knowledge-base/

AudioControl – “a Stinger Company”
9620 Executive Center Dr N, Suite 200
St Petersburg, FL 33702

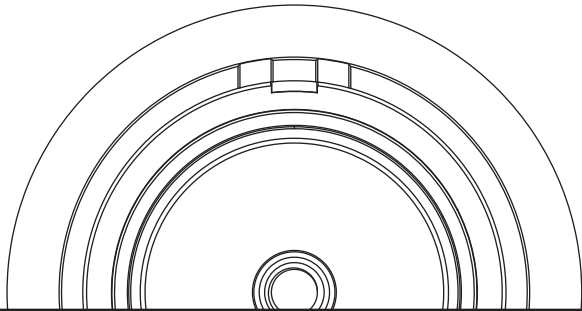
Support:
Phone: 425-777-7723
Email: support@audiocontrolmobile.com

©2025 AudioControl. All rights reserved.

As technology advances, AudioControl reserves the right to continuously change our specifications, like our Pacific Northwest weather, although we are working on changing that as well.

The End (we appreciate your patience)


ALTITUDE SERIES
A1



915-050-0 Rev A