

**JL AUDIO**<sup>®</sup>  
A Garmin Brand



**Stealthbox**<sup>®</sup>

INSTALLATION GUIDE  
for the

SBX-GM-SLVCC4/12TW3

GPN# 010-04652-00

2019-Up Chevrolet Silverado Crew Cab & GMC Sierra Crew Cab

**Enclosure Type:** Sealed

**Driver Type:** 12TW3-D8

**Nominal Impedance:** 2 ohms

**Continuous Power Handling:** 800 watts (RMS method)

**! IMPORTANT**

- Installation requires appropriate tools and safety equipment. Professional installation is recommended.
- If you prefer to perform your own installation, please read this installation guide completely before beginning.
- Before cutting or drilling, check for potential obstacles behind mounting surfaces.
- Mount this product securely to prevent damage or injury in severe conditions.

INSTALLATION  
DIFFICULTY:

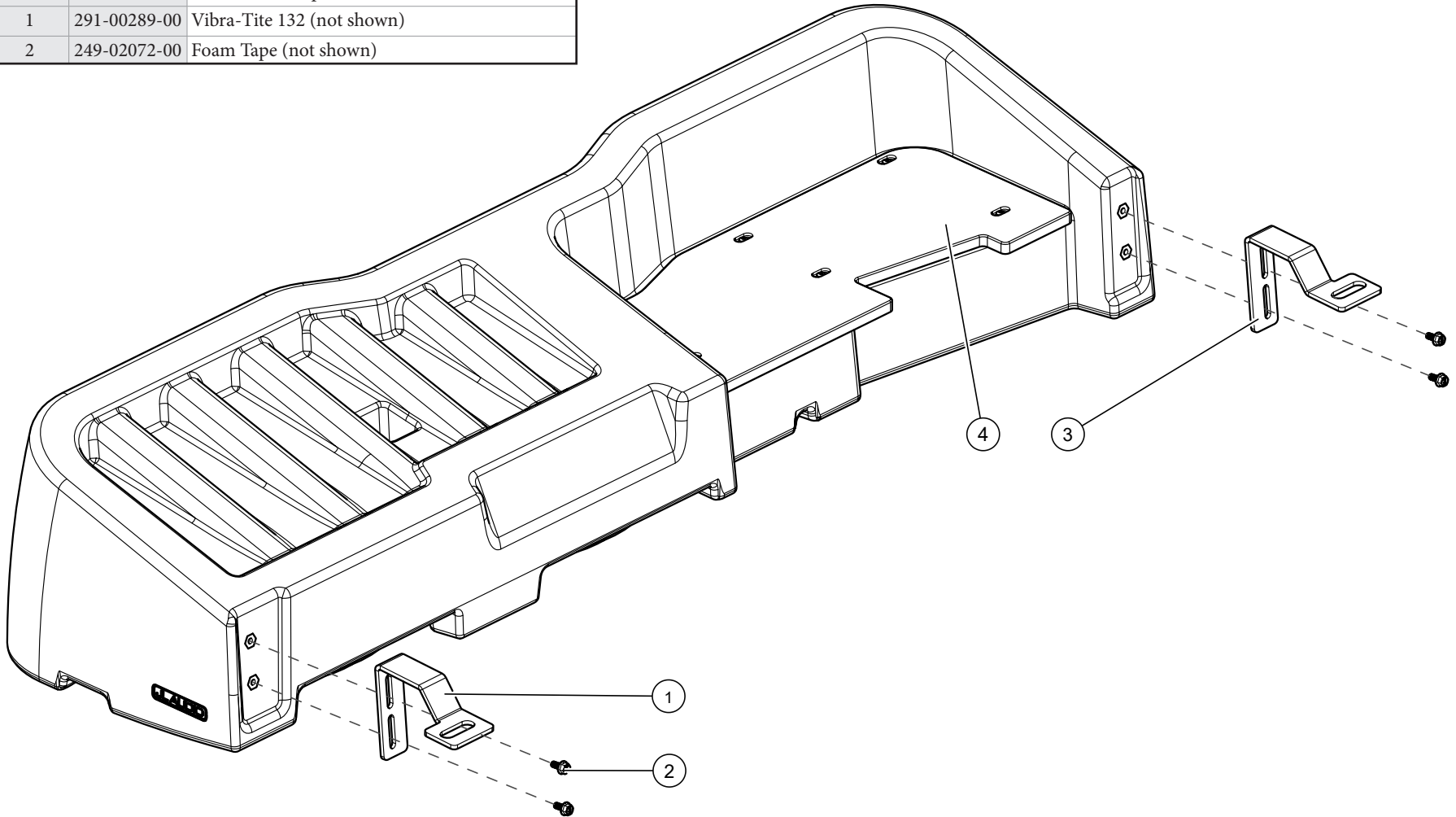
1<sup>OUT</sup>  
OF 5

ESTIMATED TIME:  
1 HOUR

JL AUDIO  
~ Quality & Design ~  
**SBX**<sup>®</sup>  
STEALTHBOX<sup>®</sup>

## INCLUDED HARDWARE

BOM ID	QTY	GPN	DESCRIPTION
1	1	115-04830-00	Driver Bracket
2	4	211-09823-06	M6 x 14mm Flanged Hex Head Screw
3	1	115-04831-00	Passenger Bracket
4	1	147-00295-00	Removable Amplifier Panel
-	1	291-00289-00	Vibra-Tite 132 (not shown)
-	2	249-02072-00	Foam Tape (not shown)





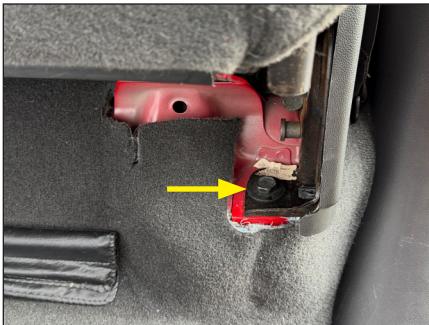
**STEP 1**

Empty the rear seat area.



**STEP 2**

Fold the seat bottoms up.



**STEP 3**

Locate the outer seat bolt and remove.

Repeat for the opposite side.



**STEP 4**

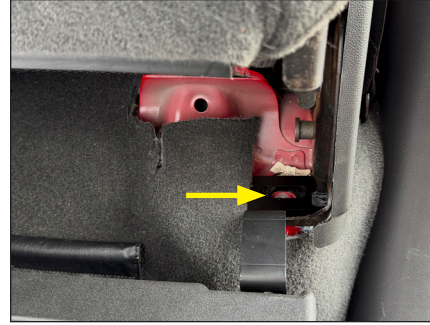
Align the Driver Bracket on the back of the enclosure as shown. Apply Vibra-Tite 132 to the M6 x 14mm Hex Head Screws, and slide through each slot in the Bracket, into the threaded inserts on the back of the enclosure, and hand tighten.

Repeat for the opposite side.



**STEP 5**

Place the Stealthbox® in the vehicle. Ensure the speaker harness is accessible.



**STEP 6**

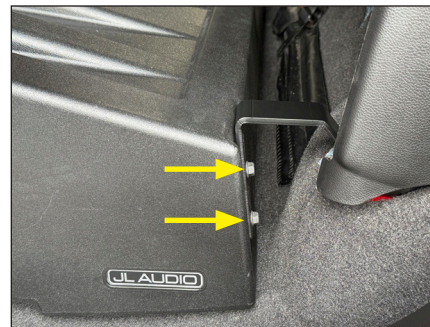
Carefully lower the enclosure into position, allowing each enclosure Bracket to fit over the seat bracket. Align the hole in each Bracket with the factory seat bolt hole.



**STEP 7**

Reinstall the seat bolt, and fully tighten.

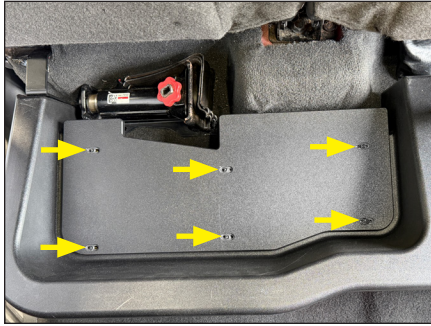
Repeat for the opposite side.



**STEP 8**

Using a 10mm wrench, firmly tighten both M6 x 14mm Hex Head Screws.

Repeat for the opposite side.



### STEP 9

**If you are not mounting equipment to the Amplifier Panel:** Remove the six M4 x 16mm Truss Head Torx Drive Screws and remove the Amplifier Panel. **If you are mounting equipment to the Amplifier Panel:** Position your equipment on the Amplifier Panel and mark the mounting hole locations. (Ensure the jack removal cutout is not obstructed.) Remove the six M4 x 16mm Truss Head Torx Drive Screws and remove the Amplifier Panel.



### STEP 10

Using an appropriate drill bit, drill pilot holes at the marked mounting hole locations.

Apply Foam Tape to the bottom of the Amplifier Panel as needed. Reinstall the Amplifier Panel. Apply Vibra-Tite 132 to the six M4 x 16mm Truss Head Torx Drive Screws and fully tighten.



### STEP 11

Position your equipment on the Amplifier Panel at the pilot hole locations and fasten using the correct screw length to avoid piercing the enclosure.

Connect speaker cable to the enclosure wire harness.



### STEP 12

Fold the seat bottoms down.

## CONGRATULATIONS!

You have completed the installation for this model! Enjoy your new Stealthbox®!



## MID/HIGH FREQUENCY DRIVER FITMENT

A variety of JL Audio coaxial and component systems will fit in the factory speaker locations of your vehicle.

Location / OEM Speaker Size	Suggested JL Audio Speaker Models	
	Coaxial Models	Component Models
Front Doors / 6 x 9-inch	C1-690x <sup>(1)</sup> , C1-690tx <sup>(1)</sup> , C2-690tx <sup>(1)</sup> , C2-650x <sup>(1)</sup> , C5-650x <sup>(1)</sup>	C1-690 <sup>(1)</sup> , C1-650 <sup>(1)</sup> , C2-650 <sup>(1)</sup> , C3-650 <sup>(1)</sup> , C5-650 <sup>(1)</sup> , C7-650cw <sup>(1,2)</sup>
Rear Doors / 6 x 9-inch	C1-650x, C2-650x, C5-650x	C1-650, C2-650, C3-650, C5-650, C7-650cw <sup>(2)</sup>

1 - Installation may require adaptor, 2 - Component driver only

JL AUDIO® | How we play.®    

(954) 443-1100

www.garmin.com

Please review the warranty information included with each product for details. Warranty is valid only if the product was purchased from an Authorized JL Audio Dealer. Authorized dealer status can be verified with the Dealer Locator on [www.jlaudio.com](http://www.jlaudio.com). International Warranty: Please contact your country's JL Audio distributor for specific warranty details. © Garmin Ltd. or its subsidiaries. All rights reserved. • Garmin, JL Audio, Stealthbox, and How we play, are trademarks of Garmin Ltd. or its subsidiaries and are registered in one or more countries, including the U.S. The JL Audio logo, the How we play logo, the Stealthbox logo, and the SBX logo are trademarks of Garmin Ltd. or its subsidiaries. Product images shown are for illustrative purposes only and may differ from the actual product. Due to continuous product development, all specifications are subject to change without notice.

190-03278-00 • ver. 11.19.2025 • 10369 NORTH COMMERCE PARKWAY • MIRAMAR, FLORIDA • 33025 • USA



190-03278-00



**Part Information:**

GPN:	190-03278-00
Description:	GM-SLVCC4-12TW3 INST SHEET, JLA 011834
Part Type:	Manuals / Printed Literature
Lifecycle Phase:	Production
Rev:	A IR#193437

**Item Attribution:**

Document Review Required:			
Item Notes:			
OEM Design Maturity Achieved:			
ESD Sensitive:			
Moisture Sensitive:			
Limited Shelf Life:			
Magnetic Sensitive:			
Magnetized Material:			
Thickness (mm):			
Part Approval Requirements:			
Part Number Predecessor:		Revision:	

**Additional Requirements:**

Compliance Requirement:	(-00) This part shall comply with Garmin Banned & Restricted Substances document 001-00211-00.
Component RoHS Requirement:	This part will not require RoHS Compliance
Additional Requirement:	

**Drawing Revision to Part Version:**

---