

**JL AUDIO**<sup>®</sup>  
A Garmin Brand



# Stealthbox<sup>®</sup>

INSTALLATION GUIDE  
for the

SBX-J-JTGLAD/10TW1

**GPN# 010-04660-00**

**2020-Up Jeep Gladiator (JT)**

**Enclosure Type:** Sealed

**Driver Type:** 10TW1-4

**Nominal Impedance:** 2 ohms

**Continuous Power Handling:** 600 watts (RMS method)

### ! IMPORTANT

- Installation requires appropriate tools and safety equipment. Professional installation is recommended.
- If you prefer to perform your own installation, please read this installation guide completely before beginning.
- Before cutting or drilling, check for potential obstacles behind mounting surfaces.
- Mount this product securely to prevent damage or injury in severe conditions.

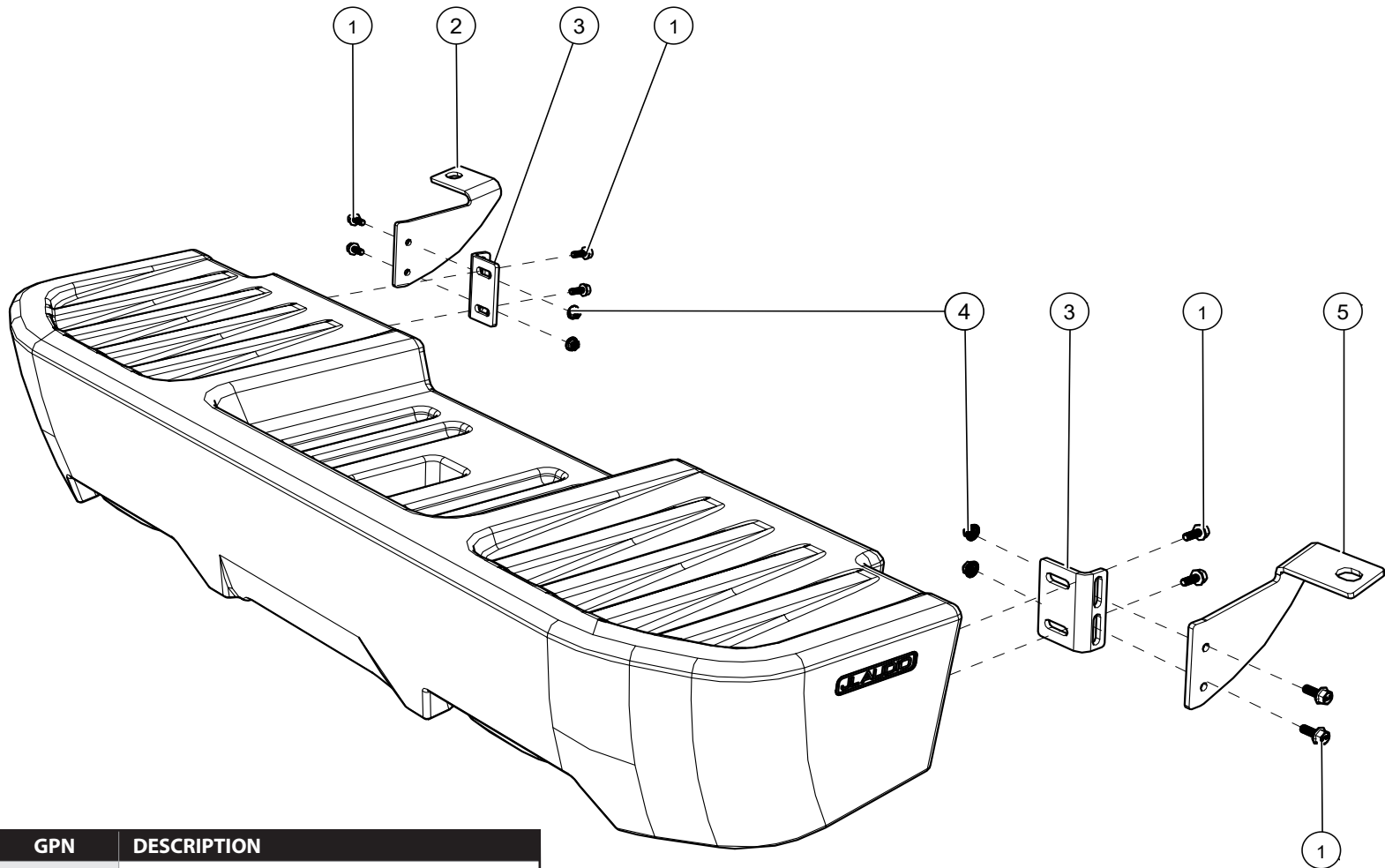
INSTALLATION  
DIFFICULTY:

1<sup>OUT</sup>  
OF 5

ESTIMATED TIME:  
1 HOUR



## INCLUDED HARDWARE



BOM ID	QTY	GPN	DESCRIPTION
1	8	211-09823-07	M6 x 16mm Flanged Hex Head Screw
2	1	115-04824-00	Passenger Bracket
3	2	115-04850-00	Common L Bracket
4	4	210-00308-04	M6 Serrated Flange Nut
5	1	115-04823-00	Driver Bracket
-	1	291-00289-00	Vibra-Tite 132 (not shown)
-	2	249-02072-00	Foam Tape (not shown)



### STEP 1

Empty the rear seat area.



### STEP 2

Fold the seat bottoms up, and remove the storage compartment from the vehicle, if equipped.



### STEP 3

Using an E14 Torx socket, remove the factory seat bracket bolt from each end of the seat.



### STEP 4

Unclip and remove the hardtop hardware storage box lid. Remove the foam insert from the hardtop hardware storage box to expose the mounting nuts.



### STEP 5

Using a 10mm socket, remove the two mounting nuts, then remove the hardtop hardware storage box from the vehicle.



### STEP 6

Align the two holes in the Common L Bracket with the two threaded inserts in the back of the enclosure. Apply Vibra-Tite 132 to each M6 x 16mm Flanged Hex Head Screw, slide through each hole in the Common L Bracket, into a threaded insert, and hand tighten.



### STEP 7

Align the two holes in the Driver Bracket with the two holes in the Common L Bracket. Apply Vibra-Tite 132 to each M6 x 16mm, slide an M6 x 16mm Flanged Hex Head Screw through each hole, thread an M6 Serrated Flange Nut, and hand tighten.

Repeat **Steps 6-7** for the opposite side.



### STEP 8

Carefully place the Stealthbox® into the vehicle, and align the slots in the Driver Bracket and Passenger Bracket with the factory seat bracket holes.

Center the enclosure in the vehicle. Using an E14 Torx socket, fully tighten the two factory seat bracket bolts. Using a 10 mm socket and a 10 mm wrench, fully tighten the M6 x 16mm Flanged Hex Head Screws.



**STEP 9**

Connect speaker cable to enclosure harness, and route the cable as necessary.

Reinstall the hardtop hardware storage box.



**STEP 10**

Fold the seat bottoms down.

**CONGRATULATIONS!**

You have completed the installation for this model! Enjoy your new Stealthbox®!



**MID/HIGH FREQUENCY DRIVER FITMENT**

A variety of JL Audio coaxial and component systems will fit in the factory speaker locations of your vehicle.

Location / OEM Speaker Size		Suggested JL Audio Speaker Models	
		Coaxial Models	Component Models
Dash	Upper / 3-1/2-inch	C2-350x	CF-350mt, C7-350cm <sup>(2)</sup>
	Lower / 4-inch	C1-400x, C2-400x	C7-350cm <sup>(1,2)</sup>
Roll Bar	Outer / 3-1/2-inch	C2-350x	CF-350mt, C7-350cm <sup>(2)</sup>
	Inner / 4-inch	C1-400x, C2-400x	C7-350cm <sup>(1,2)</sup>

1 - Installation may require adaptor, 2 - Component driver only

JL AUDIO® | How we play.®    

(954) 443-1100

www.garmin.com

Please review the warranty information included with each product for details. Warranty is valid only if the product was purchased from an Authorized JL Audio Dealer. Authorized dealer status can be verified with the Dealer Locator on [www.jlaudio.com](http://www.jlaudio.com). International Warranty: Please contact your country's JL Audio distributor for specific warranty details. © Garmin Ltd. or its subsidiaries. All rights reserved. • Garmin, JL Audio, Stealthbox, and How we play are trademarks of Garmin Ltd. or its subsidiaries and are registered in one or more countries, including the U.S. The JL Audio logo, the How we play logo, the Stealthbox logo, and the SBX logo are trademarks of Garmin Ltd. or its subsidiaries. Product images shown are for illustrative purposes only and may differ from the actual product. Due to continuous product development, all specifications are subject to change without notice.

190-03277-01 • ver. 11.18.2025 • 10369 NORTH COMMERCE PARKWAY • MIRAMAR, FLORIDA • 33025 • USA



190-03277-01

**Part Information:**

GPN:	190-03277-01
Description:	J-JTGLAD-10TW1 INST SHEET, JLA 011835
Part Type:	Manuals / Printed Literature
Lifecycle Phase:	Production
Rev:	A IR#193104

**Item Attribution:**

Document Review Required:			
Item Notes:			
OEM Design Maturity Achieved:			
ESD Sensitive:			
Moisture Sensitive:			
Limited Shelf Life:			
Magnetic Sensitive:			
Magnetized Material:			
Thickness (mm):			
Part Approval Requirements:			
Part Number Predecessor:		Revision:	

**Additional Requirements:**

Compliance Requirement:	(-00) This part shall comply with Garmin Banned & Restricted Substances document 001-00211-00.
Component RoHS Requirement:	This part will not require RoHS Compliance
Additional Requirement:	

**Drawing Revision to Part Version:**

---