

MUSWAY

MUSIC IS THE WAY

MA

COMPONENT SPEAKERS

INSTALLATION NOTES

The first step of installing a speaker system is thorough planning. Choose a suitable location for your speaker components carefully. Follow these suggestions to ensure proper imaging and maximum performance:

1. Choose a location that offers the least amount of obstruction between the components and your ears. Pay also attention to the position of the seats, headrests and other constructional systems in the interior space of the car.
2. Try to mount the speakers on the same arrangement. They should be installed at the same height and directly across from each other. Do not mount one speaker higher, lower, further forward or further backward from the opposite speaker.
3. The tweeter should always be installed as close as possible to the speakers.
4. Always take a look behind the chosen mounting locations to ensure that there is proper clearance for the rear of the speakers and avoid obstructions such as window tracks, wire harnesses, gas tank etc.
5. Maximum performance is achieved when the speaker is securely mounted to a door panel or rear speaker deck. There should be no gaps between the speaker basket and the mounting surface
6. Please handle the components with care, otherwise they will get damaged.
7. Please pay attention to the correct polarity (+ or -) for all terminals and connections.
8. Never connect the speakers to the electrical ground or with the body of the vehicle.
9. If you have to dispose the device, please note that no electronic devices may be disposed in the household waste. Dispose the device in a suitable recycling facility in accordance with local waste regulations. If necessary, consult your local authority or your dealer.



SPECIFICATIONS

MA6.2C

2-Way Component System

Power Rating RMS 100 Watts

Power Rating max. 200 Watts

Impedance 4 Ohms

Frequency Range 56 - 20000 Hz

20 mm(1") Tweeters

Aluminum Housing

Silk Dome

Neodymium Driver

Frequency Range 1350-20000 Hz

Re 3.4Ω

Fs 1580Hz

Mounting Depth 25 mm

Mounting Diameter 46 mm

MA3M

90 mm(3") Midrange Speakers

Power Rating RMS 60 Watts

Power Rating max. 120 Watts

Impedance 4 Ohms

Frequency Range 100 - 13000 Hz

Aluminum Basket

Glass Fiber Cone

Mounting Depth 40 mm

Mounting Diameter 82.7 mm

16.5 cm(6.5") Woofer

Aluminum Basket

Glass Fiber Cone

Frequency Range 56-7000Hz

Mounting Depth 65 mm

Mounting Diameter 156.5 mm

MA2X

2 Way Crossover

Power Rating RMS 60 Watts

Power Rating max. 120 Watts

Crossover Frequency 4800 Hz

2-fold Tweeter Level Adjustment

Dimensions: 90(L) x 60(W) x 26 (H) mm

MA3X

3 Way Crossover

Power Rating RMS 150 Watts

Power Rating max. 300 Watts

Crossover Frequency 550/5500 Hz

2-fold Tweeter Level Adjustment

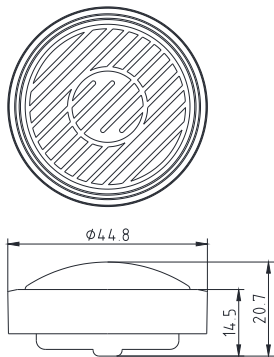
Dimensions: 129(L) x 84(W) x 37.5 (H) mm

Electro-Acoustic Parameters

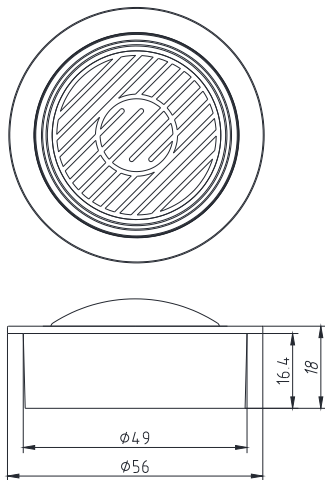
	Xmax mm	Re Ω	Fs Hz	Vas l	Mms g	Cms mm/N	BL T • m	Qts	Qes	Qms	Spl dB
MA6.2C Woofer	2.20	2.8	56	15.93	13.40	0.60	4.12	0.66	0.78	4.427	87.5
MA3M	0.95	3.2	101	0.88	3.60	0.68	3.48	0.52	0.60	3.913	83.7

MA6.2C Tweeter Dimensions

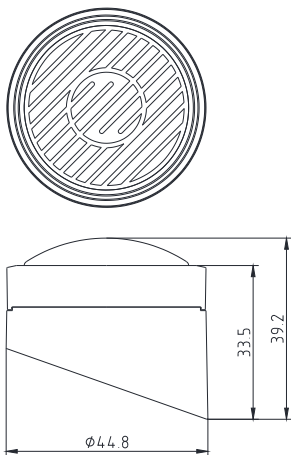
Option A



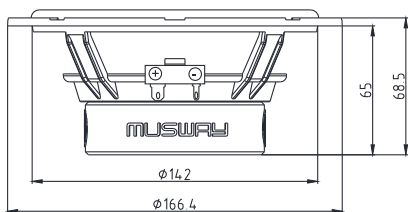
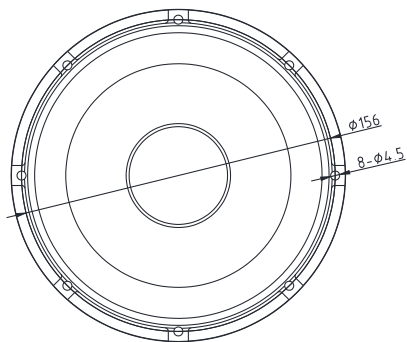
Option B



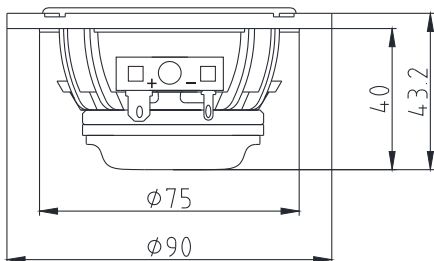
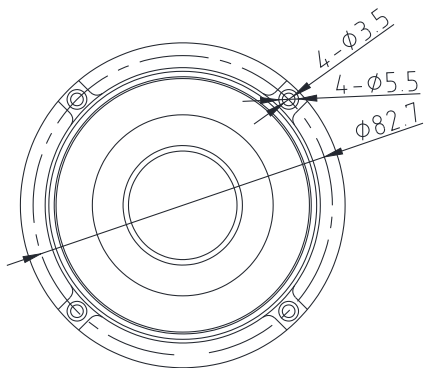
Option C



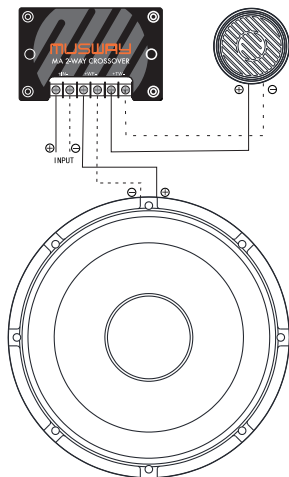
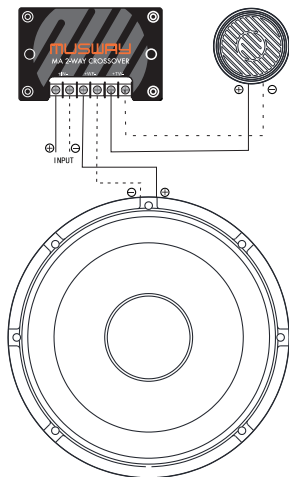
MA6.2C Woofer Dimensions



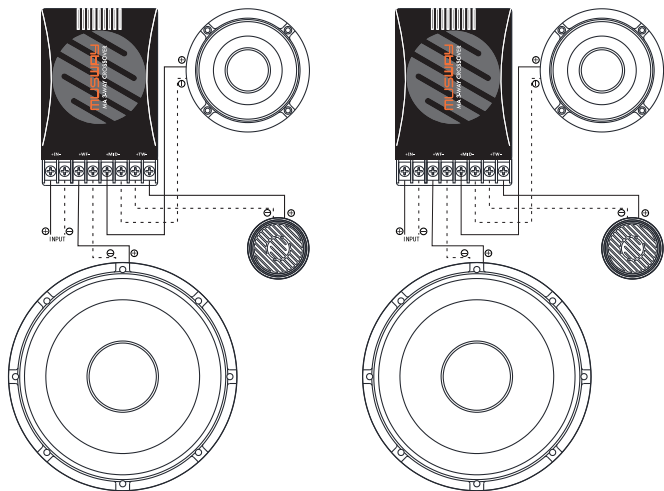
MA3M Midrange Dimensions



CONNECTION DIAGRAM MA6.2C



CONNECTION DIAGRAM MA6.3A



MUSWAY

MUSIC IS THE WAY

MUSWAY is a brand of Audio Design GmbH

Am Breilingsweg 3 · D-76709 Kronau

Tel. +49 7253 - 9465-0 · Fax +49 7253 - 946510

© Audio Design GmbH, All Rights Reserved

www.musway.com

TECHNIK FÜR KLANGBEGEISTERTE